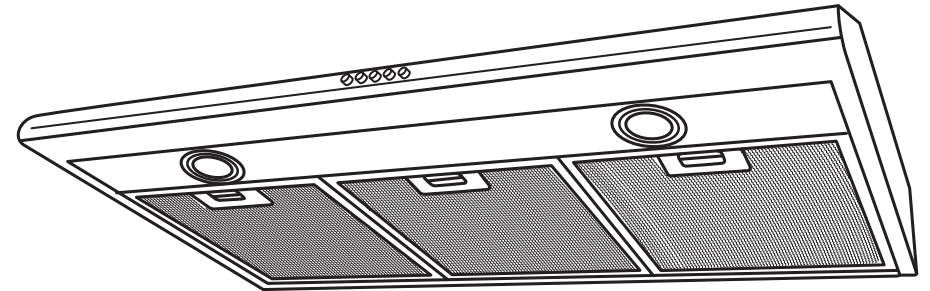


Morgan®

USER MANUAL

Morgan®



E-mail: electrical.appliance@dksh.com
www.morgan.my

 facebook.com/morganappliances

Range Hood

MCH-ND390(BK)

C O N T E N T S

3 Important Safeguards

4 Hood Description

5 Operating Instructions

5 Before Installation

6 Installation

9 Caution

9 Care & Cleaning

10 Safety Information

10 Troubleshooting

Thank you for purchasing a quality MORGAN appliance. We trust that you will have a pleasant experience with your new product. To guarantee safety and best efficiency, please read this manual carefully and keep a copy for future reference.

IMPORTANT SAFEGUARDS

When using electric appliances, basic safety precautions should always be adhered to, including the following:

- Read all instructions carefully and retain them for future reference.
- Ensure that the power cord and power plug are not damaged, and the housing is not cracked or deformed. Contact your authorized service agent if any other these are present.
- This appliance is specifically for domestic use only.
- **IMPORTANT!** Always disconnect the power supply during installation, maintenance and troubleshooting.
- The appliance must be installed in accordance with the installation instructions and all measurements followed.
- All installation work must be carried out by a competent person or qualified electrician.
- Keep the appliance and its power cord out of the reach of children aged 8 years and below.
- Properly dispose of the packing material carefully as young children are particularly vulnerable to it.
- Ensure adequate room ventilation when the appliance is used concurrently with appliances burning gas or other fuels (not applicable to appliances that only discharge the air back into the room).
- There is a fire risk if cleaning is not carried out in accordance with the instructions.
- To avoid using food products that produce flame under the range hood, do not "flambe" food (a cooking procedure where alcohol is added to a hot pan to create burst of flames) under the range hood.
- Sufficient air is needed for proper exhausting of gases through flue (chimney) of fuel burning appliances.
- Pay attention to sharp edges inside the cooker hood, especially during installation and cleaning.
- Ensure ducting is not bent to allow optimal efficiency of the appliance.
- This appliance is not intended for use by persons (including children) with reduced physical, sensory, mental capabilities, lack of experience and knowledge, unless they have been given supervision or instruction.
- To reduce risk of fire and to properly exhaust air and to ensure to duct air outside. Do not vent exhaust air into spaces within walls, ceilings, into attics and crawl spaces.
- Caution: Accessible parts may become hot when used with a cooking appliance.

HOOD DESCRIPTION

- Ducted or Re-circulating mode
- Depending on your requirements, this appliance can be configured to operate in either ducted or re-circulating modes.

DUCTED MODE

- Fire proof ducting system of 150mm diameter vent for the fumes through a suitable outlet. In the ducted mode, only the aluminum grease filters are installed.

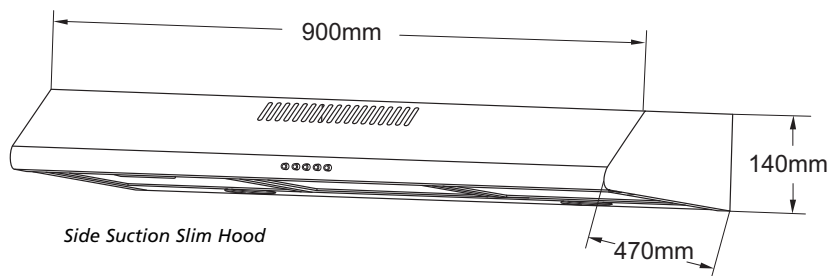
RE-CIRCULATING MODE

- Fumes are filtered for grease and odor through the aluminum grease filters and the charcoal filters respectively and re-introduced into the kitchen environment. In re-circulating mode, both the aluminum grease filters and charcoal filters should be installed.

SPEED CONTROL

1. The appliance is equipped with 3 speed controls.
2. Use "LOW" speed for simmering, "MEDIUM" speed for light cooking, and "HIGH" speed for frying or heavy cooking.

DIMENSIONAL DIAGRAM



OPERATING INSTRUCTIONS

PUSH CONTROL

1. Press A to POWER ON the light. Press again to POWER OFF the light.
2. Press B to operate the fan at high speed.
3. Press C or D to alternate fan speeds. Press E to POWER OFF the fan.
4. Press C to operate the fan at mid speed.
5. Press B or D to alternate fan speeds. Press E to POWER OFF the fan.
6. Press D to operate the fan at low speed.
7. Press B or C to alternate fan speeds. Press E to POWER OFF the fan.



A



B



C



D



E

BEFORE INSTALLATION

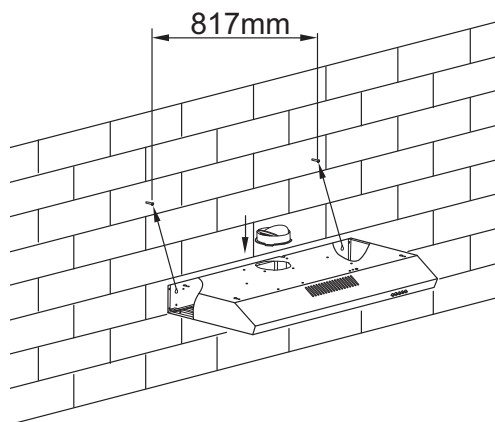
1. This appliance must be installed or repaired by qualified technician only.
2. It is dangerous to alter the specifications or modify this appliance in any way.
3. Ensure the placement of this appliance has good and permanent ventilation.
4. In ducted mode, there must be one or more permanent air inlet. The air collected must be discharged into a duct used to blow off smoke from other appliances fed with electricity.
5. The distance between the bench to the lower part of the hood must not be less the 60cm.
6. Before connecting to the power supply, ensure that the unit is earthed, and its voltage corresponds to the voltage indicated on the power supply rating label.
7. Do not connect the hood to any duct that carries combustion fumes (e.g., fireplace).

INSTALLATION

- Use suitable bolts to mount the appliance on a secure surface.
- Ensure a minimum distance between the supporting surface for the cooking vessels on the hob and the lowest part of the range hood.
- When the range hood is located above a gas appliance, this distance shall be at least 65mm. If the instruction for the installation for the gas hob specify a greater distance, this must be considered.
- The location for the installation must have permanent opening for ventilation.
- Regulations concerning the discharge of air must be fulfilled.
- It is strongly recommended that the hood be installed over the exhaust to eject air from cooking.
- It is not advisable to install the pipe outlet in the wind direction, which can prevent the exhaust air from flowing backwards.
- Fasten the components for the exhaust outlet with screws.
- To ensure good ejection of exhaust air, the pipe must not be bent too many times.

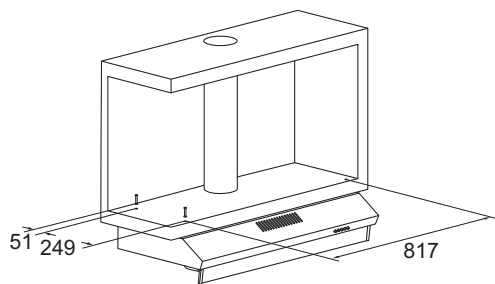
METHOD 1

- For wall installation, drill 2 Ø8mm holes on a suitable location according with the center distance of holes in the rear of the cooker hood.
- Insert the nut into the holes.
- Insert the screws into the nuts and tighten.
- Put the cooker hood onto the tightened screws.
- Fix the cooker hood with safety screws. The two safety vents are positioned on the back casing, with diameter of 6mm.
- Put the one away valve onto the cooker hood.



METHOD 2

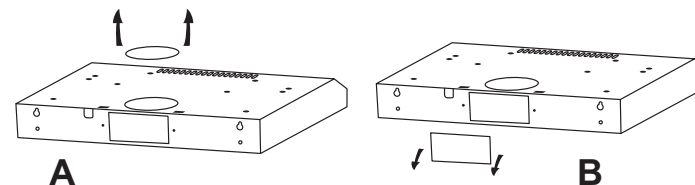
- Drill 4 6mm diameter holes at the bottom of the hanging cupboard.
- Put the one away valve on the cooker hood, then install the cooker hood onto the bottom of the cupboard.
- Tighten the hood with the 4 screws provided.
- Install the adjusted board on the bottom of the hood to keep out gap between the rear of the hood and cupboard.



INSTALLATION

NOTE:

1. The extendable pipe is an optional accessory, and not supplied together.
2. Remove the protective film before installation.
3. There are 2 methods for ventilation, including "Horizontal Ventilation" and "Vertical Ventilation". Please pay attention to the ventilation method when installation.



VERTICAL VENTILATION (PIC A)

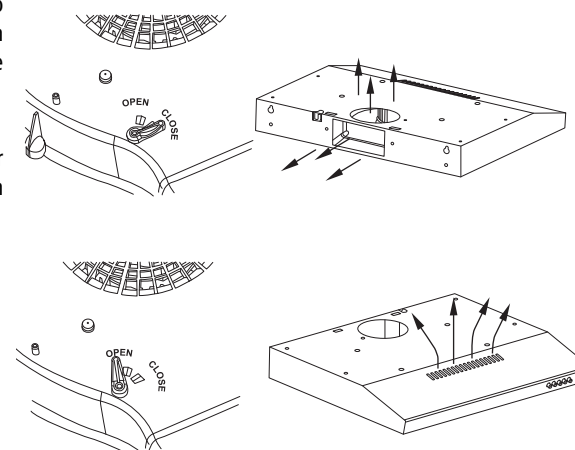
- Use tool to detach the round cover before using. Air can be vented from the top.

HORIZONTAL VENTILATION (PIC B)

- Use tool to detach the round cover before using. Air can be vented from the rear.
- The square air outlet for horizontal ventilation is an optional accessory, and not supplied together

AIR VENTILATION SETTING

- Outdoor Exhausting: Turn the adjuster to outdoor position, install the outlet, turn on the cooker hood, then the air will be vented from the outside outlet.
- Recycling: The recycling mode with carbon filter. Turn the adjuster to indoor position, install the outlet cover, turn on the cooker hood, then the air can be vented from the inside outlet.
- Note: The charcoal filter is mounted on the back of the grill and must be changed once in every 3 months.
- **WARNING:** Do not wash or recycle the charcoal filter. It should be replaced at most after 120 hours of operation. Do not expose the carbon filter to heat.
- Use four hob elements at most when operating the appliance.
- Every hood has fixing screws to firmly secure the hood in place.



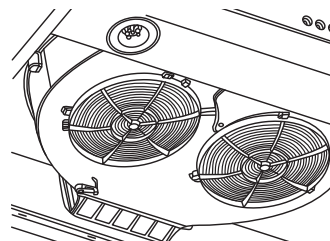
INSTALLATION

INSTALLATION (VENT INSIDE)

- If there is no air outlet to the outside, an exhaust pipe is not required and the installation is similar to the one show in installation section (VENT OUTSIDE).
- Activated carbon filter can be used to trap odors.
- To install the activated carbon filter, the grease filter should be detached first. Press the lock and pull it down.

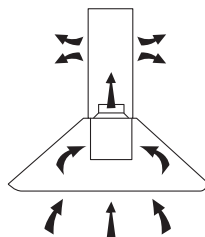


- Plug the activated carbon filter into the unit and turn it clockwise direction. Repeat the same on the other side.



IMPORTANT NOTES:

1. Ensure the activated carbon filter is securely locked in place.
2. When the activated carbon filter is attached, the suction power will be lower.
3. Before connecting to the power supply, ensure that the unit is earthed, and its voltage corresponds to the voltage indicated on the power supply rating label.
4. Ensure the appliance is operating correctly by selecting each speed and switching the light bulb on and off.
5. Every hood has two fixing screws to firmly secure the hood in its place.



CAUTION

1. This appliance is designed for household use only and should never use for commercial applications.
2. Always ensure that all controls are in the "OFF" position after use.
3. When frying with a gas flame, never allow oil or grease in the pan to catch fire.

CARE & CLEANING

- It is important to clean and maintain the grease filters regularly (at least once a month) to improve its efficiency in eliminating heat and contaminated air in the kitchen. Heavy oil deposits pose a fire hazard. Hood surface should be clean with soft cloth and non-corrosive detergent.
- **IMPORTANT:** Never attempt to repair this appliance by yourself. Always refer to qualified Service Technicians.
- For safety precautions, always purchase original replacement parts.
- **IMPORTANT!** Always disconnect the power supply during installation, maintenance and troubleshooting.

POWER CORD

1. To ensure the electrical cord is not expose to heat, chemical or sharp objects.
2. If the power cord is damaged, it must be replaced by the manufacturer or a qualified service engineer in order to avoid a hazard.

CLEANING

ALWAYS SWITCH OFF AND UNPLUG FIRST!

SURFACES

- Wash with warm soapy water and soft sponge. Never use abrasive detergent, scouring pads, steel wool or solvents on any part of this appliance as this will cause irreparable damage.

ALUMINUM GREASE FILTERS

- Wash in the dishwashers or soak the panels in a degreasing agent for an hour, then rinse off and dry before re-installing.

CHARCOAL FILTERS (OPTIONAL AND NOT INCLUDED IN PACKAGE)

- (Only in re-circulating mode): Charcoal cannot be reused. They must be replaced once a year or depending on the frequency of appliance usage.
- For this appliance to function effectively, regular maintenance is a must.
- Clogged filters restrict airflow and may cause the motor to overheat.

SAFETY INFORMATION

1. Electrical connection must be in accordance with the local standards and law.
2. Ensure that the power supply complies with the appliance setting. Do not connect if otherwise.
- 3 Do not expose the power cord to any heat sources or contact with sharp objects.
4. Before connecting to the power supply, ensure that the unit is earthed, and its voltage corresponds to the voltage indicated on the power supply rating label. In the event of electrical short circuit, grounding reduces the risk of electrical shock. If unsure, contact a qualified electrician.
5. Lamp replacement must not exceed 20W.
6. LED lamp wattage must not exceed 1.5W/7W.

TROUBLESHOOTING

Note: Stop operating the appliance should you encounter any abnormalities or malfunction. Disconnect power cord from the power supply and refer to this troubleshooting guide for possible faults. Do not attempt to disassemble and modify or repair the appliance yourself.

PROBLEM	CAUSE	SOLUTION
Appliance not operating	No electrical supply	Ensure that power switch is turned on
		Ensure power plug is connected to the power supply
Poor airflow	Aluminium grease filters are clogged.	Clean the filters and replace when dry
	Charcoal grease filters are clogged	Replace charcoal filters
Motor running but no airflow	Butterfly valve jammed	Contact technician
Motor cuts off after a few minutes	High temperature safety device activated	The kitchen is not sufficiently ventilated
	The hood is installed too near the cooking stove	Ensure the hood is installed at least 65cm from the stove
Strong odors	Charcoal filters are not installed	Charcoal filters must be installed in re-circulating mode
Oil dripping onto stove	Oil cup missing or not installed	Remove aluminium filter and replace oil cup
	Aluminium grease filter saturated	Wash the aluminium grease filters
Whirring sound	Foreign object in contact with fan blade	Contact technician