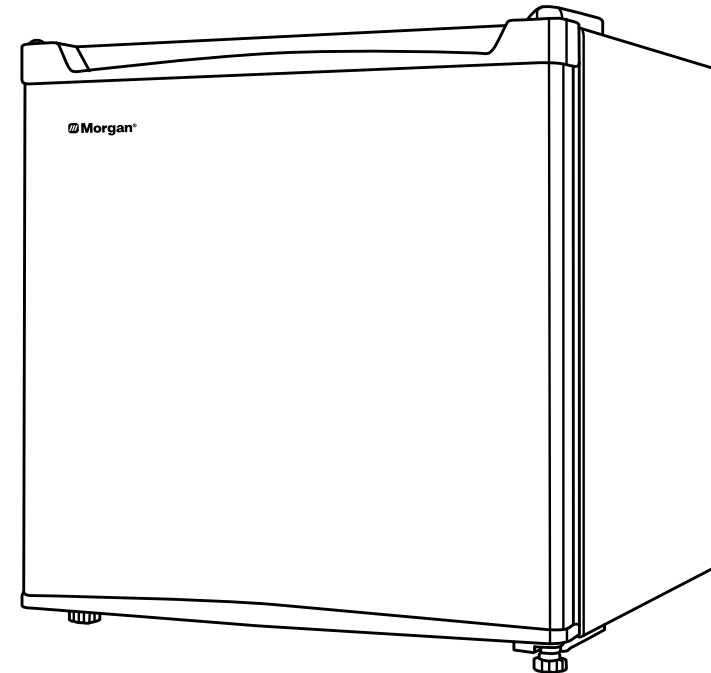



Morgan®

USER MANUAL

Morgan®



E-mail: electrical.appliance@dksh.com
www.morgan.my

 facebook.com/morganappliances

Mini Bar

MMB-NC66(SL)

C O N T E N T S

3	IMPORTANT SAFEGUARDS
4	WARNING
5	WARNING - ELECTRICAL CONNECTION
6	PARTS IDENTIFICATION
6	SPECIFICATIONS
7	INSTALLATION
7	OPERATING INSTRUCTIONS
12	TECHNICAL INFORMATION
13	TROUBLESHOOTING
15	ELECTRICAL INFORMATION

Thank you for purchasing a quality MORGAN appliance. We trust that you will have a pleasant experience with your new product. To guarantee safety and best efficiency, please read this manual carefully and keep a copy for future reference.

IMPORTANT SAFEGUARDS

When using electric appliances, basic safety precautions should always be adhered to, including the following:

WARNING! RISK OF FIRE / FLAMMABLE MATERIALS.

- Read all instructions carefully and retain them for future reference.
- Before connecting to the power supply, ensure that the unit is earthed and its voltage corresponds to the voltage indicated on the power supply rating label.
- Inspect the power cord for any signs of damage, and have it replaced by the manufacturer, its service agent or similarly qualified persons in order to avoid a hazard.
- This appliance is not intended for use by persons (including children) with reduced physical, sensory or mental capabilities, or lack of experience and knowledge, unless they have been given supervision or instruction concerning use of the appliance by a person responsible for their safety.
- **IMPORTANT:** Manufacturer's recommended storage times should be adhered to at all times. Refer to relevant instructions.
- In the event of a malfunction, power off the appliance immediately and contact your authorized service center. Do not attempt to repair or replace any parts yourself.
- Do not use electrical appliances such as hair dryer or heater to defrost your Fridge/Freezer.
- Do not use mechanical devices or other means to accelerate the defrosting process, other than those recommended by the manufacturer.
- Containers with flammable gases or liquids can leak at low temperatures.
- Do not store any containers with flammable materials, such as spray cans, fire extinguisher refill cartridges etc. in the fridge/freezer.
- Do not place carbonated or fizzy drinks in the Freezer compartment. Ice lollipops can cause "Frost/Freeze burns" if consumed immediately from the fridge/freezer.
- Do not remove items from the fridge/freezer compartment with damp/wet hands, as this could cause skin abrasions or "Frost/Freezer burns".
- Do not place bottles and cans in the Freezer as they can burst when the contents freeze.
- Do not allow children to tamper with the controls or play with the Fridge/Freezer. The Fridge/Freezer is heavy. Care should be taken when moving it. It is dangerous to alter the specification or attempt to modify this product in any way.

IMPORTANT SAFEGUARDS

- If the power cable is damaged, it must be replaced by the manufacturer, its service agent or similarly qualified persons in order to avoid a hazard.
- Do not use this appliance as a built-in appliance and/or for freezing foodstuffs.
- This appliance is intended to be used in household and similar applications such as
 - staff kitchen areas in shops, offices and other working environments;
 - farm houses and by clients in hotels, motels and other residential type environments;
 - bed and breakfast type environments;
 - catering and similar non-retail applications.
- Keep ventilation openings in the appliance enclosure or built-in structure clear of obstruction.
- Do not damage the refrigerant circuit.
- Do not use electrical appliances inside the appliance's food storage compartments, unless those recommended by the manufacturer.
- Do not store explosive substances such as aerosol cans with flammable propellant in this appliance.

WARNING

- Refrigerating appliances – in particular a refrigerator-freezer Type I – might not operate consistently (possibility of defrosting of contents or temperature becoming too warm in the frozen food compartment) when sited for an extended period of time below the cold end of the range of temperatures for which the refrigerating appliance is designed;
- Keys for doors or lids fitted with locks must be kept out of children's reach and not in the vicinity of the refrigerating appliance. This is to prevent children from being locked inside.
- The refrigerant and insulation materials used in your appliance requires special disposal procedures.
- When positioning the appliance, ensure the power cord is not bent, damaged or knotted.
- Do not place multiple portable power sockets or power supplies at the rear of the appliance.
- Follow the following instructions to avoid contaminating food:
 - Opening the door for long periods can affect the appliance compartment's temperature.
 - Regularly clean surfaces that come in contact with food and accessible drainage systems.
 - Clean water tanks if they have not been used for 48 hours. Flush the water system connected to a water supply if water has not been drawn for 5 days.

- Store raw meat and fish in suitable containers in the refrigerator, so that it is not in contact with or drip onto other foods.
- Two-star frozen-food compartments are suitable for storing pre-frozen food, storing or making ice-cream and making ice cubes.
- One-, two- and three-star compartments are not suitable for freezing fresh food.
- When leaving the appliance empty for long periods, switch off, defrost, clean, dry, and leave the door open to prevent mold from developing within the appliance.

WARNING - ELECTRICAL CONNECTION

- This appliance should be properly grounded for your safety. The appliance's power cord is equipped with a three-prong plug which mates with the standard three prong power supply to minimize the possibility of electrical shock.
- Do not, under any circumstances, cut or remove the third ground prong from the power cord supplied.
- This appliance requires a standard 220-240VAC 50Hz electrical outlet with three-prong ground.
- This refrigerator appliance is not designed to be used with an inverter.
- Secure power cord behind the appliance and do not expose or dangle it to prevent accidental injury.
- Never unplug the appliance by pulling on the power cord. Always grip the power plug firmly and pull straight out from the power socket.
- Do not use an power extension cord with this appliance. If the power cord is too short, have a qualified electrician or service technician install an outlet near the appliance. Use of a power extension cord can negatively affect the performance of the unit.

CLIMATE RANGE

- The information about the climate range of the appliance is provided on the rating plate. It indicates the ambient temperature for the proper optimal operation of the appliance.

Climate Range	Permissible Ambient Temperature
SN	from +10°C to +32°C
N	from +16°C to +32°C
ST	from +16°C to +38°C
T	from +16°C to +43°C

- Note: The above shows the limit values of the ambient temperature range for the climate classes for which the refrigerating appliance is designed for. Note that the internal temperatures could be affected by such factors as location of the refrigerating appliance, ambient temperature and the frequency of door opening, control device temperature setting may have to be varied to allow for these factors, if appropriate.
- Note: When operating in an environment other than the specified climate range (i.e., beyond the rated ambient temperature range), the appliance may not be able to maintain the desirable compartment temperatures.

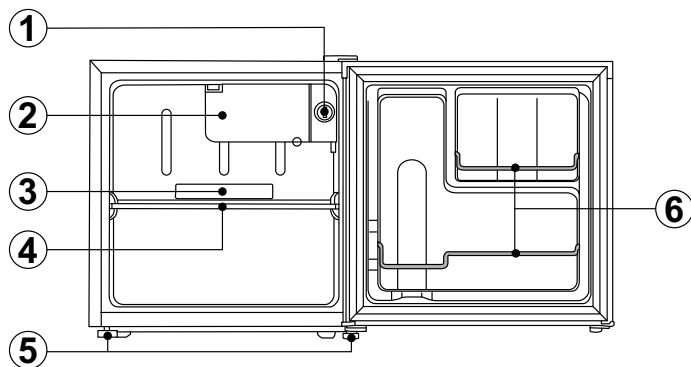
WARNING - ELECTRICAL CONNECTION

FREON-FREE

- The appliance uses the environmentally friendly freon-free refrigerant (R600a) and foaming insulation material (cyclopentane), leaving no damage to the ozone layer and having a very small impact on the global warming.
- R600a is flammable, and sealed in a refrigeration system, without leakage during normal use. In case of refrigerant leakage due to damaged refrigerant circuit, keep the appliance away from open flames and open the windows for ventilation as quickly as possible.

PARTS IDENTIFICATION

1. Thermostat Knob
2. Chill door
3. Drip tray
4. Shelf
5. Adjustable front feet
6. Steel retainers



SPECIFICATIONS

Model	MMB-NC66(SL)
Rated Voltage / Frequency	220-240V~ 50Hz
Rated Wattage	85W
Capacity	50L

INSTALLATION

SELECT LOCATION

- When selecting a position for your appliance, ensure the floor is flat and stable, and the room is well ventilated.
- Do not locate appliance near heat sources, such as cooker, boiler or radiator.
- Avoid direct sunlight in out-buildings or sun lounges. If you are placing your Fridge/Freezer in an out-building such as a garage or annex ensure that the appliance is placed above the damp course, otherwise condensation will occur on the appliance cabinet.
- The appliance emits heat during operation. Therefore, ensure at least 30mm of free space at the top side, over 100mm on both sides, and above 50mm at the rear of the appliance.

LEVELING THE FRIDGE

- If the Fridge is not levelled, the door and magnetic seal alignment will be affected and may cause the appliance to malfunction. Once the Fridge is placed in its final location, adjust the leveling feet at the front by turning them.

OPERATING INSTRUCTIONS

CLEAN BEFORE USE

- Wipe the inside of the Fridge with mild bicarbonate soda. Then rinse with warm water using a damp sponge or cloth. Wash the baskets and shelves in warm soapy water and dry completely before replacing in the Fridge. The external parts of the Fridge can be cleaned with wax polish.

BEFORE FIRST TIME OPERATION

- Ensure that the power supply socket is compatible with the power plug supplied with the appliance.

IMPORTANT!

- Wait at least four (4) hours after moving the fridge before powering on the appliance!
- The coolant fluid needs time to settle. If the appliance is switched off at any time, wait 30 minutes before switching back on to allow the coolant fluid to settle.
- Before refrigerating food items - turn the Fridge on and wait for 24 hours, to make sure it is working properly and to allow the Fridge to fail to the correct temperature.

START

Testing

- Clean all appliance parts with lukewarm water with a little neutral detergent and with clear water, and wipe dry.

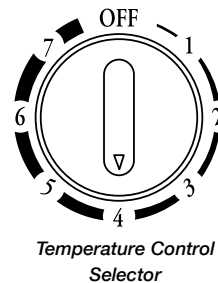
Notes: Ensure electric parts of the appliance are wiped using a dry cloth.

OPERATING INSTRUCTIONS

- Remarks: Power on appliance and turn the thermostat knob to the "4" position. The compressor will begin to operate.
- Open the door 30 minutes later, if the temperature in the refrigerator has decreased, it shows that the refrigerator system is working well. When the refrigerator operates for a period of time, the temperature controller will automatically set the preset temperature.

TEMPERATURE CONTROL

- The temperature selector controls the temperature in the refrigerator. It is installed on the rear wall of the refrigerator compartment.
- Turn the thermostat knob to right or left, you can regulate the temperature inside the refrigerator.
- The marks on the knob denote the temperature grades, not the exact number of the degrees of temperature. The "OFF" symbol shows a forced STOP and "7" shows the lowest temperature. Turn the knob from "1" position to "7" position, the temperature will decrease continuously. Use the temperature control selector to set your desired temperature.
- It is recommended to set the selector to "4" position for normal use.



FOOD STORAGE

How to Use the Refrigerator Compartment

- Cooked dishes can be refrigerated to keep fresh after their temperature decreases to room temperature.
- Egg pockets are used for storing eggs and bottle pockets to store butter, milk and bottle drinks, etc.

FOOD PLACEMENT

- Do not store excessive food inside the appliance to ensure optimal cooling and operation.
- Stored foods should be wrapped with cling wraps and distributed to several frames evenly to avoid contamination, loss of water and odors.
- Cool hot food down to room temperature before storing to avoid high power consumption, leading to frost forming inside.

IMPORTANT NOTES

- The appliance might not operate consistently (either contents defrosting or temperature becoming too warm in the frozen food compartment) when operating for an extended time period below the cold end of the range of temperatures for which the refrigerating appliance is designed for.

OPERATING INSTRUCTIONS

- Internal temperatures could be affected by such factors as the appliance location, ambient temperature and the frequency of door opening, and, if appropriate, a warning that the setting of any temperature control device might have to be varied to allow for these factors
- Do not store effervescent drinks in food freezer compartments or cabinets or in low-temperature compartments or cabinets, and do not consume products such as water ices should not be consumed too cold.
- Do not exceed the manufacturer's recommended storage time(s) for any kind of food.
- A rise in frozen food temperature during manual defrosting, maintenance or cleaning could shorten the food's storage life.
- It is recommended to wrap frozen food in several layers when placed on the glass shelves.
- Exercise care when dealing with frozen food in storage in the event of a power outage or failure of the refrigerating system.

HOW TO KEEP FOOD PERFECT IN THE FRIDGE

Take extra care with meat and fish

- Cooked meats should always be stored on a shelf above raw meats to avoid bacterial transfer. Keep raw meats on a plate which is large enough to collect juices and cover it with cling film or foil.
- Leave adequate space around food, as this allows cold air to circulate around the fridge, ensuring all parts of the Fridge are kept cool.
- Wrap up food!
- To prevent transfer of flavors and drying out, foods should be separately packed or covered. Fruit and vegetables need not be wrapped.
- Pre-cooked food should be cooled properly before storage.
- Allow pre-cooked food to cool down before placing in the Fridge. This will help to stop the internal temperature of the Fridge from rising.
- Always ensure appliance door is shut to prevent cold air from escaping. When returning from shopping, sort foods to be kept in your fridge before opening the door. Only open the door to put food in or take it out.

OPERATING INSTRUCTIONS

WHERE TO STORE YOUR FOODS IN THE FRIDGE

- Cool area - foods will keep longer if they are kept cool. Milk, eggs, yogurt, fruit juices, hard cheeses e.g., Cheddar. Opened jars and bottles of salad dressings, sauces and jams. Fats, e.g., Butter, margarine, low-fat spreads, cooking fats and lard.
 - Coldest area - foods must be cold to keep them safe should be kept:
 - Raw and uncooked foods should always be wrapped.
 - Pre-cooked chilled foods, e.g., Ready meals, meat pies, soft cheeses.
 - Pre-cooked meats e.g., Ham,
 - Prepared salads (including pre-packed mixed green salads, rice, potato salad etc.).
 - Desserts, eg. Fromage frais, home-prepared food and leftovers or cream cakes.
- NOTE: Always cling wrap and store raw meat, poultry and fish on the lowest shelf at the bottom of the fridge as this will prevent them from dripping onto, or touching other foods. Do not store inflammable gasses or liquids in the fridge.

RECOMMENDED STORAGE PERIODS

- For recommended food storage time, refer to the information given on your food packaging.

CLEANING

Internal

- After defrosting, the fridge internally using a mild solution of soda bicarbonate. Then rinse with warm water using a damp sponge or cloth and wipe dry. Wash the baskets in warm soapy water and ensure they are completely dry before replacing in the Fridge.

External

- Use a standard non-abrasive detergent diluted in warm water to clean the Fridge exterior.
- The grille of the condenser at the back of the Fridge and the adjacent components can be vacuumed using a soft brush attachment.
- Do not use harsh cleaners, scouring pads or solvents to clean any part of the Fridge

MOVING THE FRIDGE/FREEZER

- Do not locate the appliance near heat sources such as cooker, boiler or radiator. Avoid direct sunlight exposure.

LEVELING THE FRIDGE/FREEZER

- Ensure the appliance is levelled. Use the rotating leveling feet at the front. If the Fridge/Freezer is not level, the doors and magnetic seal alignments will be affected and may cause your Fridge/Freezer to malfunction.
- Do not turn on the Fridge/Freezer for 4 hours to allow for the coolant to settle.

OPERATING INSTRUCTIONS

INSTALLATION

- Don't cover or block the vents or grilles of your appliance.

WHEN APPLIANCE IS NOT IN USE

- Turn off the refrigerator first and then unplug the power cord from the power supply.
- Remove all foods.
- Clean the refrigerator.
- Leave the lid open slightly to avoid possible formation of condensation, mold, or odors.
- Exercise extreme caution in the case of children. The unit should not be accessible to child's play.
- Short vacation: Leave the refrigerator operating during vacations of less than 3 weeks.
- Long vacations: If the appliance is not to be used for several months, remove all food and unplug the power cord. Clean and dry the interior thoroughly. To prevent odor and mold growth, leave the door open slightly, or if necessary, have the door removed.

SAVING ENERGY

- Install the refrigerator in the coolest part of the room, away from direct sunlight and heat sources. Do not place the appliance next to heat-producing appliances such as a range, oven or dishwasher.
- Open the refrigerator door only when necessary. Do not place hot foods inside the refrigerator.
- Organize the refrigerator to reduce door openings. Remove as many items as needed all at one time and close the door as soon as possible.
- The refrigerator door should be properly closed to avoid increased energy consumption, and the formation of excess ice and / or condensation inside.
- Constantly circulating cold air keeps the temperature constant inside the refrigerator. For this reason, it is important to properly distribute the food, to facilitate air flow.
- Cover foods and wipe containers dry before placing them in the refrigerator. This cuts down on moisture build-up inside the unit.
- Do not overcrowd the refrigerator or block cold air vents to avoid the appliance to operate longer and use more energy. Shelves should not be lined with aluminum foil, wax paper or paper towels. Liners interfere with cold air circulation, making the refrigerator less efficient, which can cause food spoilage.
- The refrigerator can remain on during short holidays. However, remember that prolonged power outages may occur while you are gone.

OPERATING INSTRUCTIONS

SERVICING

- This appliance should be serviced by an authorized technician and only genuine spare parts should be used.
- Under no circumstances should you attempt to repair the appliance yourself.
- Repairs carried out by inexperienced persons may cause injury or serious malfunctioning. Contact the local store where your purchase was made.

TECHNICAL INFORMATION

IMPORTANT: THIS APPLIANCE MUST BE EARTHED.

- This appliance is fitted with a power plug which will be suitable for use in all houses fitted with power supply sockets to current specifications.
- If the fitted power plug is not suitable for your power supply sockets, it should be cut off and carefully disposed of.
- To avoid a possible shock hazard, do not insert the discarded plug into a socket.
- This appliance complies with the EEC Directives.

TROUBLESHOOTING

This troubleshooting guides is designed to help you identify and address the problem yourself as not every fault needs to be fixed by the technical service personnel.

PROBLEM	PROBABLE CAUSE(S)	SOLUTION
Completely no refrigeration	<ul style="list-style-type: none"> • Is power plug off? • Are breakers and fuses broken? • No power or line has tripped? • Is the appliance installed in balconies, garages, storage rooms and other places where the ambient temperature is below 10°C? 	<ul style="list-style-type: none"> • Try to insert power plug again. • Open the door and check whether the lamp is lit. • Power outage or line tripped? • Install refrigerator in a location that is protected and the ambient temperature is above 10°C. • If your refrigerator is installed in too low a temperature, the internal cooling system may not operate properly.
Abnormal noises	<ul style="list-style-type: none"> • Is refrigerator placed on a stable surface? • Does the appliance contact with the wall? 	<ul style="list-style-type: none"> • Adjusting the appliance's adjustable feet. • Move the appliance away from the wall.
Poor refrigerating efficiency	<ul style="list-style-type: none"> • Hot food or too much food placed inside the appliance? • Door opened frequently? • Food bag stuck to the seal of door? • Appliance exposed to direct sunlight or near heat sources? • Is appliance well-ventilated? • Temperature setting too high? 	<ul style="list-style-type: none"> • Allow food to cool down to room temperature before storing inside refrigerator. • Do not open fridge door too frequently. • Remove the appliance from heat sources. • Ensure proper ventilation all around the appliance. • Set to the ideal operating temperature.

TROUBLESHOOTING

PROBLEM	PROBABLE CAUSE(s)	SOLUTION
Peculiar odor in refrigerator	<ul style="list-style-type: none"> • Any spoiled food? • Refrigerator needs cleaning? • Stored food has strong flavors? 	<ul style="list-style-type: none"> • Throw away spoiled food. • Clean the refrigerator. • Inspect and repack strong flavor foods. • When the appliance is not in use for long periods, disconnect from the power supply, empty all foods and clean the appliance, leaving the door ajar to prevent unpleasant odors.

IMPORTANT: If the above troubleshooting guide does not resolve the problem, do not disassemble the appliance and repair it yourself. Repairs carried out by inexperienced persons may cause injury or serious malfunctioning. Contact the manufacturer or authorized service agent for further action. This product should be serviced by an authorized technician and only genuine spare parts should be used.

ELECTRICAL INFORMATION

CORRECT DISPOSAL OF THIS PRODUCT



This marking indicates that this product should not be disposed with other household wastes throughout the EU. To prevent possible harm to the environment or human health from uncontrolled waste disposal, recycle it responsibly to promote the sustainable reuse of material resources. To return your used device, please use the return and collection systems or contact the retailer where the product was purchased. They can take this product for environmentally safe recycling.

Warning for proper disposal

- Refrigerant and cyclopentane foaming material used for the refrigerator are flammable. Therefore, when the refrigerator is scrapped, it shall be kept away from any fire source and be recovered by a special recovering company with corresponding qualification other than be disposed by combustion, so as to prevent damage to the environment or any other harm.
- When the refrigerator is scrapped, disassemble the doors, and remove gasket of door and shelves; put the doors and shelves in a proper place, so as to prevent trapping of any child.