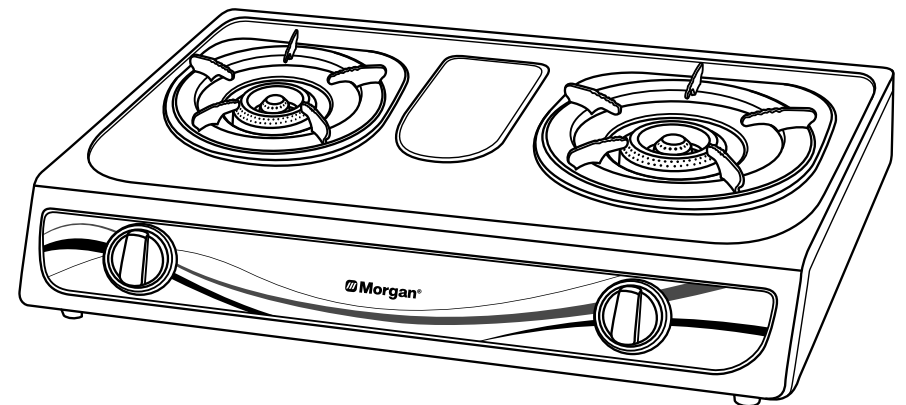



# Morgan®

## USER MANUAL

# Morgan®



E-mail: [electrical.appliance@dksh.com](mailto:electrical.appliance@dksh.com)  
[www.morgan.my](http://www.morgan.my)

 [facebook.com/morganappliances](https://facebook.com/morganappliances)

# Gas Stove

CLASS 1

MGS-7010

# C O N T E N T S

**3** Important Safeguards

**4** Parts Identification

**4** Specifications

**5** Before First Use

**6** Operating Instructions

**7** Care & Cleaning

**7** Troubleshooting

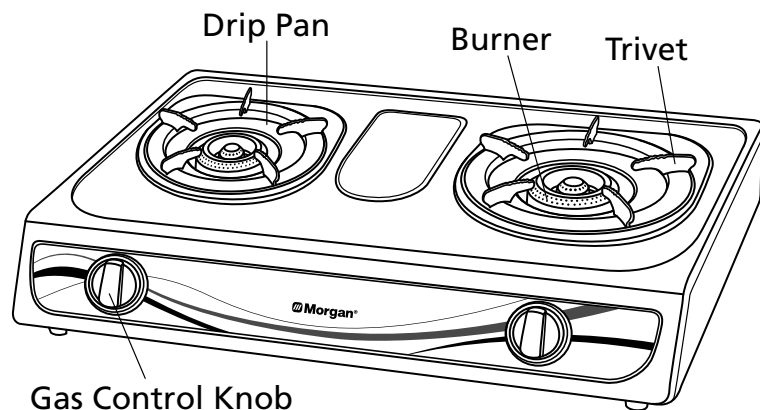
Thank you for purchasing a quality MORGAN appliance. We trust that you will have a pleasant experience with your new product. To guarantee safety and best efficiency, please read this manual carefully and keep a copy for future reference.

## IMPORTANT SAFEGUARDS

**Read all instructions in the User Manual carefully before using the appliance to find all the required instructions to ensure safe installation, operation, and maintenance. Always retain this User Manual close for future reference.**

- After removing the packaging, inspect the appliance for any damage. Do not operate the appliance should you have any doubts and contact the nearest Service Center.
- Never leave the packaging components (plastic bags, foamed polystyrene, screws, and etc.) within the reach of children since these pose a danger of suffocation and other risks.
- This appliance should preferably be installed by a qualified person in compliance with the instructions provided. The manufacturer declines all responsibility for improper installation which may pose a hazard or risk.
- Persons with reduced physical, sensory or mental capabilities or lack of experience and knowledge shall be under supervision and instructed concerning use of the appliance in a safe way and understand the hazards involved when using the appliance. Keep the appliance away from children.
- This appliance is intended for domestic use only, and not for commercial and industrial use.
- Do not use for outdoor purpose.
- The appliance is strictly for cooking only.
- Avoid placing any inflammable materials over the burner to prevent the risk of fire.
- It is recommended to use a pan size at least 120mm.
- Operate this appliance only in a well-ventilated room but not facing strong wind.
- Do not leave the appliance and the stopcock of the gas cylinder on after every use.
- In the event of an abnormal combustion during use, turn off the appliance and the gas cylinder stopcock immediately. Refer to the troubleshooting section of this manual for solutions.
- CAUTION: Avoid touching the burner, trivet, and plate while in use or immediately after used as they can get very hot.
- If gas leakage happens, turn off the stopcock of the gas cylinder. Open all the windows and call for service repair. Do not switch on any electrical appliance or ignite inflammable items.
- Never operate the appliance unless it is fully and securely assembled.
- Always place the appliance on flat surface when operating.
- Do not move the appliance when it is operating.
- Close supervision is necessary when any appliances is used by or near children.

## PARTS IDENTIFICATION



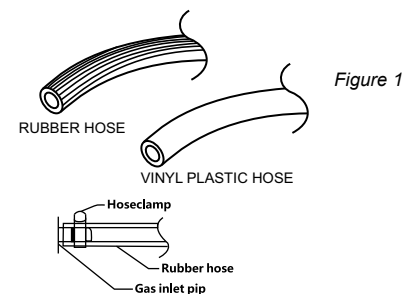
### SPECIFICATIONS

Product	Gas Stove		
Model No.	MGS-7010		
Gas Category	I3B/P(30)		
Gas Type	Butane (G30), Propane (G31) or their mixtures		
Gas Pressure	3000Pa		
Total Heat Input $\Sigma Q_n$ :	6.4kW (466g/h)		
Burner Size	Left: 100mm	Right: 100mm	
Consumption kW (g/h)	Left: 3.2kW (233g/h)	Right: 3.2kW (233g/h)	
Countries of Destination	Malaysia (MY)	Country of Origin	Made in China
Manufacture to Import by	<b>DKSH Malaysia Sdn. Bhd.</b> (4476-U) B-11-01 The Ascent Paradigm, No.1 Jalan SS7/26A Kelana Jaya, 47301 Petaling Jaya, Selangor, Malaysia.		

This appliance must be installed in accordance with the regulations in force and only used in a well ventilated space. Read the instructions before installing or using this appliance. Forbid to place on the surface of combustible objects.

## BEFORE FIRST USE

- Read this instructions manual carefully before using and keep it for future reference.
- Use only the approved gas hose only. (Figure 1)

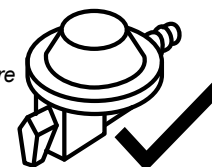


- This appliance uses Liquefied Petroleum Gas (LPG). Make sure you have the correct type of gas supply for use with this appliance.
- Do not operate the appliance near to a sink, bath tub or shower or etc., whereby it can be easily exposed to water.
- Before using for the first time, remove any protective film or stickers from the appliance.
- Use only Low-Pressure Regulator for the appliance.

High Pressure Regulator

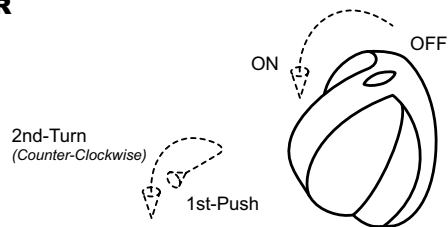


Low Pressure Regulator



# OPERATING INSTRUCTIONS

## OPERATING THE GAS COOKER



## TURNING ON THE GAS COOKER

- Turn on the gas cylinder stopcock. Push the ignition knob and turn it counter-clockwise until a “Click” sound is heard. Make sure the burner has been lit up.
- In some cases, the burner cannot be ignited especially when the appliance has been left unused for a considerable period. This is caused by air remnants trapped in the rubber hose.
- Repeat turning the ignition knob a few times until gas comes through. Re-igniting the Burner
- When using the appliance again immediately after having once turned off, wait for about ten seconds before re-igniting it.

## TURNING OFF THE GAS COOKER

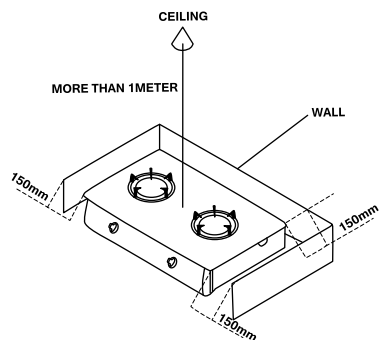
- Turn the ignition knob to its original position without pressing it. Always to turn off the cylinder stopcock completely after every use.

## FLAME CONTROLLER

- Push and turn the knob counter-clockwise to ON position. Control the flame and position it according to your cooking requirements.

## POSITIONING THE APPLIANCE

- Place the appliance away from the wall and ceiling as shown in the figure below.



# CARE & CLEANING

- The ignition will not function if the burner is wet. Ensure water, soup, or other liquids are not spilled onto the burner.
- Inspect the gas hose regularly for any cracks or leakage.
- Ensure there are no inflammable liquids or particles placed near the appliance.
- Do not apply excessive pressure to the burner control knob.
- Wipe the top plate and body with dry cloth. Clean hard-to-reach areas with soapy water and dry thoroughly with dry cloth.
- Burn marks left on the burner head is normal after frequent use.

# TROUBLESHOOTING

PROBLEM	POSSIBLE CAUSES	SOLUTIONS
Ignition Failed	A. The gas valve is not opened. B. The rubber hose is bent. C. No gas in the cylinder. D. The nozzle or the burner is obstructed. E. There is air in the hose. F. The knob is turned too fast.	A. Open the gas valve and supply the gas B. Straighten the rubber hose or replace with a new one. C. Replace with a new gas cylinder. D. Insert a thin wire to clear the blockage. E. Open the nozzle to allow air to escape. F. Let the knob remain in the position for a second before turning it again.
Other Problems	A. Gas leakage from the gas pipe B. The rubber hose is broken C. There is no flame.	A. Replace the seal ring B. Replace the rubber hose. C. Try to re-ignite again.
Abnormal Combustion	A. Pressure is too low or too high.	A. Adjust the valve or replace the gas cylinder.