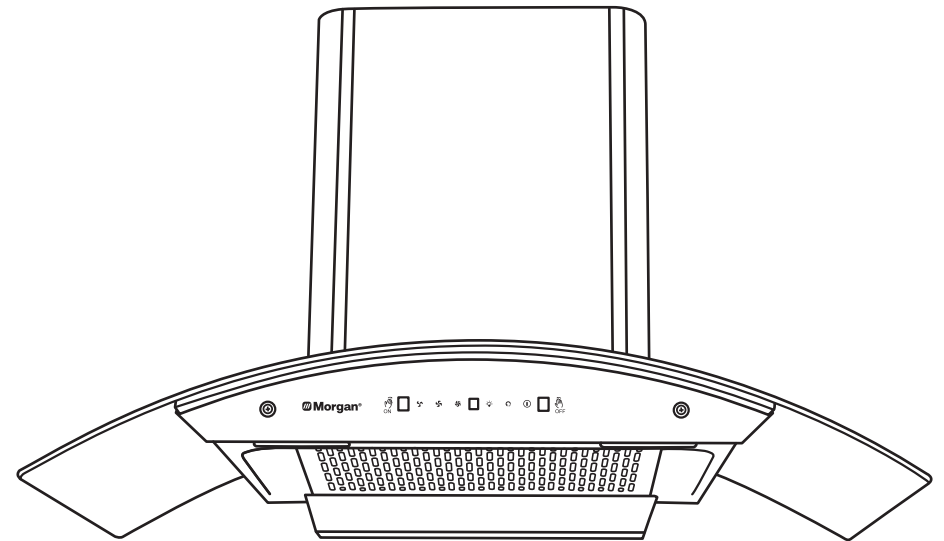


Morgan®

USER MANUAL

Morgan®



E-mail: electrical.appliance@dksh.com
www.morgan.my

 facebook.com/morganappliances

Designer Hood

MDH-926MHC

C O N T E N T S

4 PARTS IDENTIFICATION AND SPECIFICATION

5 IMPORTANT SAFEGUARDS

6 INSTALLATION

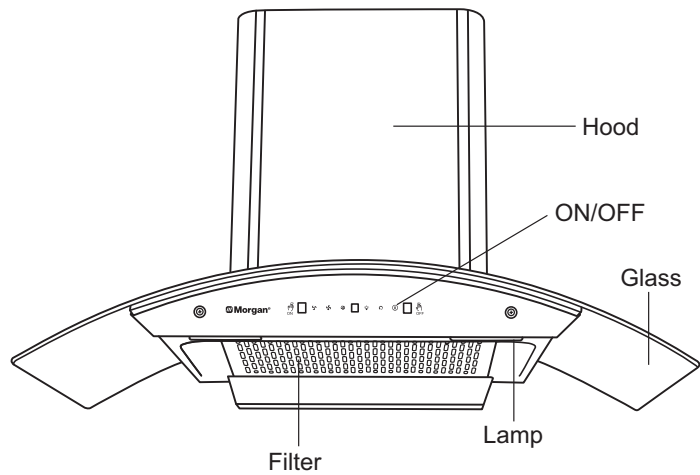
8 OPERATING INSTRUCTIONS

10 CARE & CLEANING

11 TROUBLESHOOTING

Thank you for purchasing a quality MORGAN appliance. We trust that you will have a pleasant experience with your new product. To guarantee safety and best efficiency, please read this manual carefully and keep a copy for future reference.

PARTS IDENTIFICATION AND SPECIFICATION



SPECIFICATIONS

MODEL	MDH-926MHC
DIMENSION OF PRODUCT (MM):	865(L) X 450(W) X 506+450(H)
MATERIAL	Black Coated Stainless Steel + Tempered Glass
VOLTAGE / FREQUENCY	220-240V~ 50Hz
TRANSMISSION STYLE	Single Motor
LED LIGHTING POWER (LAMP)	2 x 1.5W
CONTROL	3 Speed Control
FILTER	Baffle Filter
MOTOR SPEED	3 Speed
MOTOR POWER	200W
EXTRACTION CAPACITY	1400m³/hr

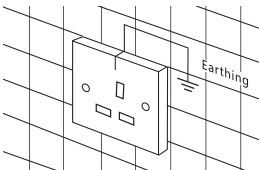
IMPORTANT SAFEGUARDS

When using electric appliances, basic safety precautions should always be adhered to, including the following:

- Read all instructions carefully and retain them for future reference.
- Ensure that the power cord and power plug are not damaged, and the housing is not cracked or deformed. Contact your authorized service agent if any other these are present.
- This appliance is specifically for domestic use only.
- **IMPORTANT!** Always disconnect the power supply during installation, maintenance and troubleshooting.
- The appliance must be installed in accordance with the installation instructions and all measurements followed.
- All installation work must be carried out by a competent person or qualified electrician.
- Properly dispose of the packing material carefully as young children are particularly vulnerable to it.
- Pay attention to the sharp edges inside the cooker hood especially during installation and cleaning.
- Ensure ducting is not bent to allow optimal efficiency of the appliance.
- **WARNING:** Failure to install the screws or fixing device in accordance with these instructions may result in electrical hazards.
- **CAUTION:** The appliance and its accessible parts can become hot during operation. Exercise caution when in contact with heating elements.
- This appliance can be used by children form 8 years and above and people with reduced physical, sensory or mental capabilities or lack of experience and knowledge if they have been given supervision or instruction concerning the use of the appliance in a safe way and understand the hazards involved.
- Children must not play with the appliance. Cleaning and maintenance by the user must not be performed by children, unless they are over 8 years old and supervised.
- Keep the appliance and its power cord out of the reach of children aged 8 years and below.
- Ensure adequate ventilation of the room when the appliance is used.
- Do not flambé under the appliance.
- There is a fire risk if cleaning is not carried out in accordance with the instructions
- Clean your appliance periodically by following the method given in the chapter CARE & CLEANING.
- For safety reason, please use only the same size of fixing or mounting screw which are recommended in this instruction manual.
- Cleaning and user maintenance shall not be made by children without supervision.
- **WARNING:** Danger of fire: do not store items on the cooking surfaces.
- If the supply cord is damaged, it must be replaced by the manufacturer, its service agent or similarly qualified persons in order to avoid a hazard.
- **CAUTION:** Do not use the appliance without the grease filters or if the filters are excessively greasy!

INSTALLATION

- **IMPORTANT!** Do not contact the steel and wires of wall inside in order to avoid electric shocks.
- Before connecting to the power supply, ensure that the unit is earthed, and its voltage corresponds to the voltage indicated on the power supply rating label.
- Ensure that the home's power supply system meets the requirements of the cooker hood's normal supply load.
- **IMPORTANT!** Do not use high-capacity fuse in electrical circuit and select the correct ones as required on rating label.



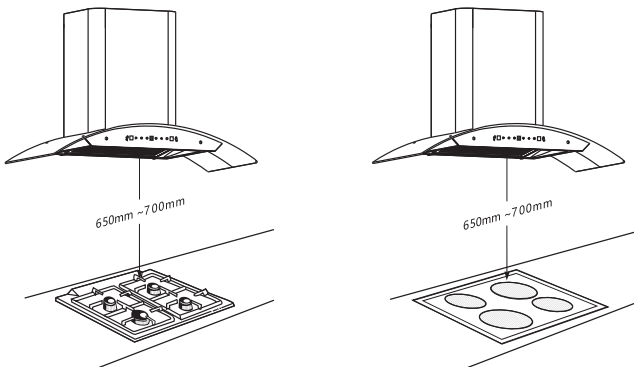
PREPARATION BEFORE INSTALLATION

1. Wall strength

The wall that the appliance is to be installed on must be solid enough to bear its weight.

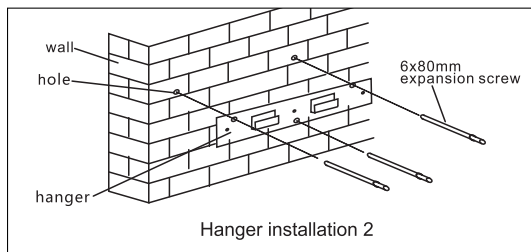
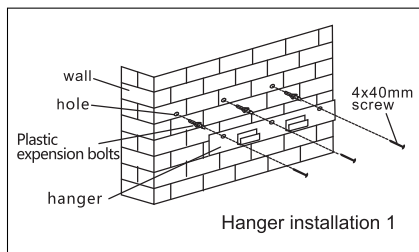
2. Mounting Height

The suitable height of mounting shall be 650-700mm above the cooking stove. Actual installation height is subject to the construction of kitchen and user's height.



HANGER INSTALLATION

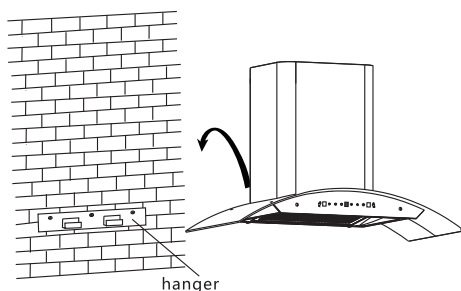
- Measure the installation height. Mark the hanger position on the wall.
- Drill holes for fixing the hanger.
- Punch plastic expansion bolts into the holes & secure the hanger.



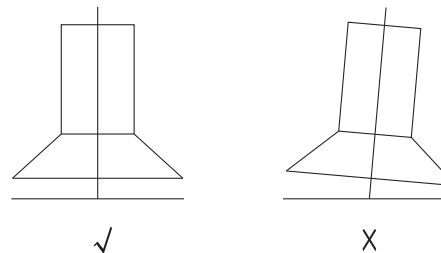
APPLIANCE INSTALLATION (SINGLE HOOD)

- Position at the hanger and fasten the appliance to the wall.
- Connect the one end of exhaust pipe diameter 153mm to exhaust hole of cooker hood and the other end connect to air outlet.

Note: Ensure cooker hood is hanging horizontally & vertically. Do not tilt.

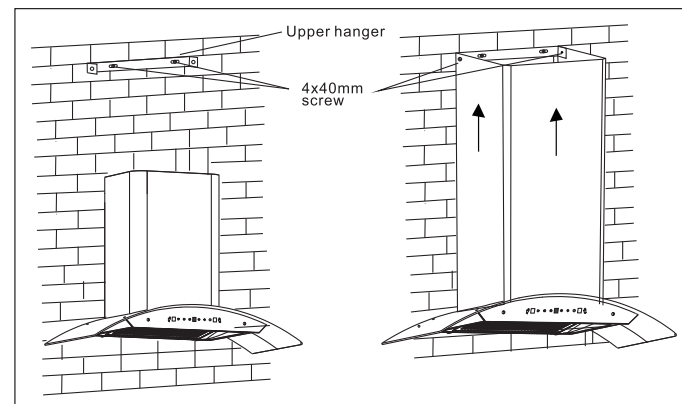


INSTALLATION



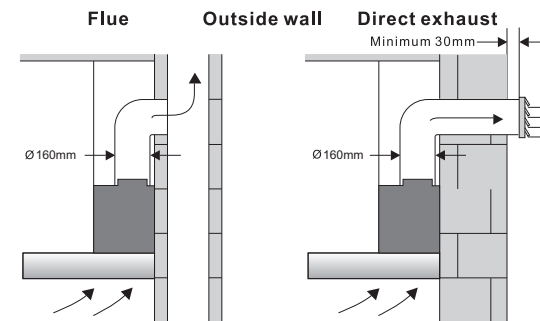
APPLIANCE INSTALLATION (DOUBLE HOOD)

- Loosen screws at the hanger and fasten the appliance onto the wall.
- Pull the upper hood to the proper position. Mark the position of upper hood screw holes at upper side on the wall.
- Fasten the upper hood back and drill the position of upper hanger side holes.
- Mark the position of two middle holes of upper hanger.
- Detach the appliance and drill holes on markings.
- Insert plastic expansion bolts and fasten the upper hanger.
- Install exhaust pipe on exhaust outlet and fasten the appliance.
- Connect the exhaust pipe to the kitchen air outlet.
- Pull the upper hood upwards and secure the side holes with screws.



EXHAUST PIPE CONNECTING TO THE WALL OUTSIDE

- Connect the other exhaust head to the flue or the hole of the wall outside (hole diameter: 170mm).



INSTALLATION

EXHAUST PIPE CONNECTING TO THE WALL OUTSIDE

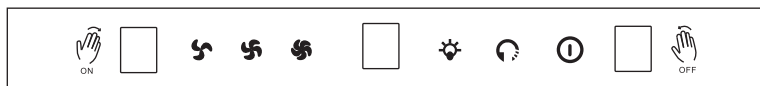
- The other head of exhaust pipe shall be connected to the flue or the hole of wall outside (diameter of hole shall be 170mm).

INSPECT INSTALLATION

- After installation, connect to power supply and turn on the appliance.
- Confirm that all appliance functions are working properly without any abnormal vibrations and no resistance to the air outlet.

OPERATING INSTRUCTIONS

This appliance uses a gesture control operation on a feather touch control panel.



- Place finger on the (ⓘ) button, the control panel lights will illuminate and the appliance is now in stand-by mode. Place finger again to power off the appliance.
- Touch the (🌀) button to operate the appliance in LOW speed.
- Touch the (🌀) button to operate the appliance in MEDIUM speed.
- Touch the (🌀) button to operate the appliance in HIGH speed.
- Touch the (💡) button to power on the lights will turn on. Touch again to power off the lights.
- Touch the (🔄) button for 3 seconds to activate the auto heat cleaning function. Touch again to exit operation.
- Long press on the (🌀) button for 5 seconds in power off mode to lock the gesture control. Repeat this action to reactivate gesture control function.

GESTURE CONTROL

- Gesture control is the ability to recognize and interpret movements of the human body in order to interact with and control a PCB system without direct physical contact. This is especially so when there is oil/grease on hand which can affect the touch function.
- Place hand up in front of the sensor area with a reasonable distance of ± 50 mm, and begin to control the appliance using hand gestures:
 - From left to right: cooker hood will start operating on LOW speed, light will be turned on.
 - Repeat same motion: the cooker hood will switch to MEDIUM speed and HIGH speed.
 - From right to left: the cooker hood will start operating on DELAY mode.
 - Repeat same gesture: the cooker hood will power off.

AUTO-CLEAN FUNCTION

- A unique "Auto-Clean" function has been provided in this appliance which comes equipped with an oil collector tray.
- During cooking, any excess oil and dirt sucked into the appliance gets drained into this oil collector. However, over the time, some traces of stubborn grease and oil can get stuck inside the appliance.
- To eliminate this stubborn grease and clean the cook hood from inside, this new generation auto-clean function operates using a specially designed heating element fixed inside the hood.

OPERATING INSTRUCTIONS

Operating the Auto-Clean function:

- Ensure the appliance is in stand-by model.
- Now touch the "Auto-Clean" button on the panel. A reverse timer of 10:00 minutes will be activated and the Auto Clean light for auto-clean will start blinking.
- After the special heater has operated for 9 minutes, the fan will automatically start operating at low speed for the remaining 1 minute.
- Most of the grease present within the appliance will get evaporated and discharged from the air-outlet. Any remaining grease will be drained into the oil collector tray at the rear of the filter.
- The auto-clean function will stop operating at the end of 10 minutes.
- Wait for a moment before carefully removing the oil collector tray ensuring that you do not spill the greasy residues.
- Drain the collected grease into a sink and clean the oil collector tray with a soft cloth.
- Assemble the oil collector tray at its place by sliding into the rails at both ends. Ensure that the tray is affixed properly.
- Your cooker hood is now clean from the inside and ready to be used.

DELAY

- A unique "Delay" shut-off function has been provided in this appliance.
- Once cooking is over, instead of switching off the appliance, touch the "ON/OFF" button or put your hand up in front of the sensor area and gesture from right to left.
- A reverse timer of 3 minutes (2 mins, 1 min optional) will be activated and the appliance will power off automatically after the end of this 3 minutes (2 mins, 1 min optional).
- Touching the "ON/OFF" button or gesturing from right to left twice will power off the appliance immediately.

CARE & CLEANING

MAINTENANCE

- Ensure full maintenance is performed every half year by an authorized professional or qualified technician.
- Adhere to the following steps when performing internal maintenance:
 - Power off appliance & disconnect from the power supply.
 - Detach grease filter and clean using a soft brush.
 - Reassemble grease filter in place after drying for next maintenance.
 - Disassemble smoke cover oblique upwards. Unscrew air inlet cover and air frame and detach. Loosen the knob clockwise. Hold the wheel axle and pull out the impeller. Immerse the impeller into cleaning fluid for about 10 minutes.
 - Clean the oil on impeller with soft brush.
 - Assemble impeller back into place.
 - Tighten the knob counter clockwise. Then install air inlet board, air inlet cover and smoke cover in that order.
 - To keep the range hood working in good condition for long term, please keep maintenance regularly.

CLEANING

- Clean the exterior surface of the appliance once every three (3) days.
- Clean the oil on the grease filter regularly.
- Clean any oil residues on the wind wheel and volute or other components if necessary.
- Follow the instruction in this manual for appliance cleaning to avoid a fire hazard.
- Wear rubber gloves when clean range hood in order to prevent the injury of metal.
- Exercise caution when cleaning the impeller to prevent deforming it or rubbing off the counterweight as this may affect the balance, resulting in noise and vibration.
- **WARNING:** Do not allow water to seep into switches, motor, lamps and other electric components during cleaning.
- Only authorized service technicians or similarly qualified persons are allowed to change or modify the internal wiring.

TROUBLESHOOTING

PROBLEM	CAUSE	SOLUTION
Lamp is not turned ON Motor is running	Bad wire connection.	Repair or replace wires.
	Lamp is fused.	Change lamp.
	No connection between lamp and power socket.	Inspect lamp and power socket connection and repair if necessary.
	The quartz lamp transformer has burned out.	Replace transformer.
Lamp is not turned ON Motor is not running	Bad connection between power plug and power socket.	Repair or replace cable connection.
	Power cord is damaged.	Replace power cord.
	Fuse of power board is damaged.	Replace fuse.
Lamp is ON Motor is not running	Thermal cutout of motor is working.	Wait for a while and turn on again.
	Condenser malfunction.	Replace condenser.
	Motor malfunction.	Replace motor.
	Faulty power board and control board.	Contact service center
Excessive vibration noise increases	Ensure appliance is securely mounted.	Check and ensure appliance is properly mounted.
	The connecting pieces of the fixed screws are loose.	Tighten screws.
	Volute standing fixed screws are loose.	Tighten screws.
	Motor fixed screws are loose.	Tighten screws.
	Impeller installation is not in place.	Install in place.
	Impeller is damaged and balance piece is lost.	Replace impeller.
Poor suction	Too much oil in filter.	Clean filter.
	The air convection in the kitchen is too big or space sealing is too tight.	Reduce air convection and open doors and windows moderately.
	Higher installation height.	Adjust to appropriate height.
	Exhaust pipe is too long or has too many turns.	Install according to the manual.
	Outdoor wind is too strong.	Non-technical faults.