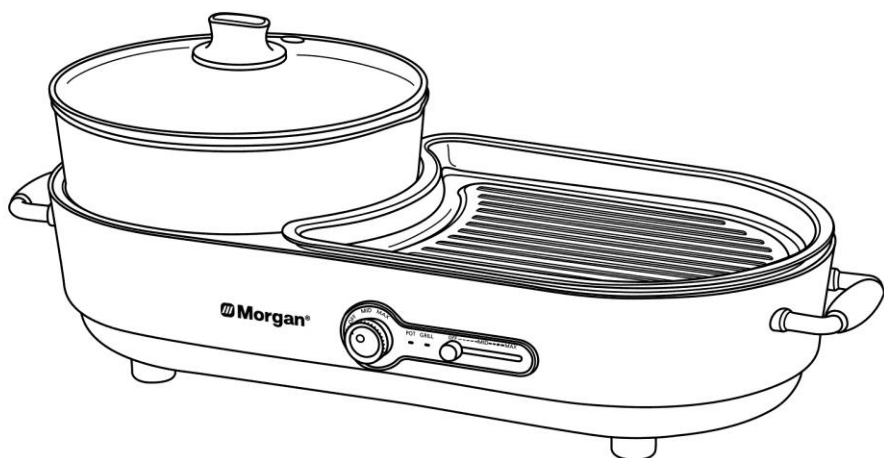


Morgan®

USER MANUAL



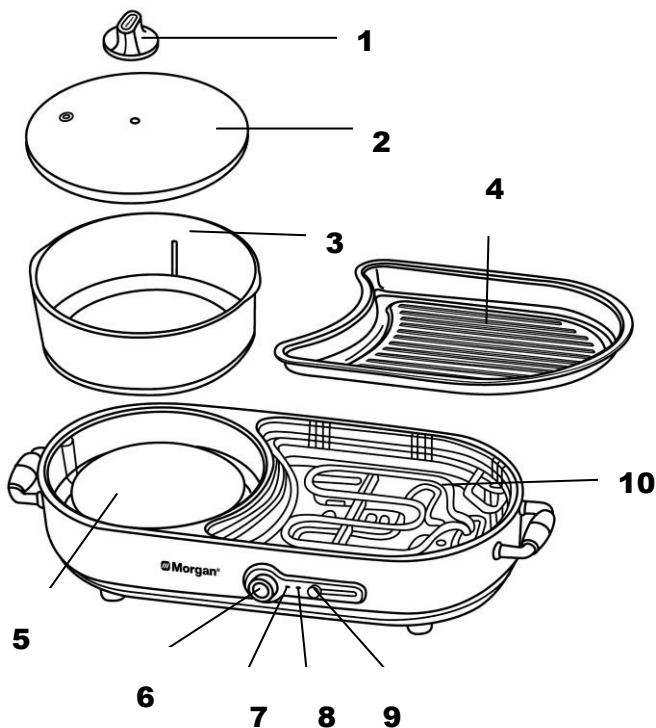
Pan Grill

MPG-DB899NS

CONTENTS

Parts Identification	2
Specifications	3
Safety Precautions	3 - 4
Operating Instructions	4 - 5
Care & Maintenance	6

PARTS IDENTIFICATION



1.	Lid Handle	6.	Soup Pot Temperature Control Knob
2.	Tempered Glass Lid	7.	Soup Pot Indicator Light
3.	Soup Pot	8.	Grill Indicator Light
4.	Non-stick Grill Pan	9.	Grill Temperature Control Dial
5.	Heating Plate	10.	Heating Element

SPECIFICATIONS

Rated Voltage:	220-240V~
Frequency:	50/60Hz
Rated Wattage:	1600W

SAFETY PRECAUTIONS

1. Thank you for purchasing a quality Morgan appliance. Please keep this instruction manual close at hand for future reference.
2. This appliance is not intended for use by persons (including children) with reduced physical sensory or mental capabilities, or lack of experience and knowledge, unless they have been given supervision or instruction concerning use of the appliance by person responsible for their safety. Children should be supervised to ensure that they do not play with the appliance.
3. Ensure that the voltage range shown on the appliance rating label corresponds to the main power supply's voltage.
4. This appliance is suitable for normal household use only and not for commercial use.
5. This product must not be left unattended while it is connected to the main supply.
6. Use the appliance only on a level working surface.
7. Do not operate the appliance with a damaged power cord or power plug. Return the appliance for examination, adjustments, or repair.
8. The use of extra attachments not recommended by the manufacturer may cause fire, electrical shock, or injury.
9. If the power supply cord is damaged, have it replaced by the manufacturer or its service agent or a similarly qualified person in order to avoid a hazard.
10. Unplug the unit when not in use and whenever you clean or move the unit.

11. To disconnect the appliance, grip power plug and pull from power outlet. Never yank on power cord.
12. Only authorized service personnel should be allowed to undertake repairs on electrical appliances. Repairs undertaken by unauthorized persons may result in damage to the appliance and/or accidents or injury to the user.

OPERATING INSTRUCTIONS

1. Before using for the first time, wash the soup pot, glass lid and Non-stick grill pan with mild soapy water and dry thoroughly before use.
2. A “trial run” at high temperature to eliminate any substance or oil that may be use for testing and packing. Smoke and odour may be detected and this is normal.

Important note: Please position grill pan correctly onto the heating element for proper operation.

How to Use the Soup Pot

1. Place appliance on a flat and sturdy surface.
2. Pour water into the soup pot, the amount of water should not exceed the maximum level in the soup pot. Always pour water or soup into the soup pot first before turning on the power.
3. Connect the appliance to power outlet and switch it on.
4. Rotate the soup pot control knob to desired temperature, the soup pot indicator light up.
5. Once the water boils, you'll cook the food you need.
6. You may adjust the desired temperature while cooking.
7. Brush some cooking oil on the grill pan.

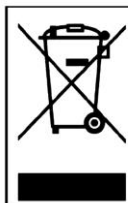
8. Slide the grill temperature control dial to desired temperature, the grill indicator light up. The grill pan starts to heat.
9. Preheat for 3-5 minutes, then you can put the food to be grilled on the grill pan, always flip the food when grilling, so that the food can be heated evenly.
10. While grilling, it will stop heating when the temperature has reached the maximum temperature, the grill indicator light will turn off and it will automatically reheat after the temperature of the grill pan center drop to a certain temperature.
11. After cooking, ensure the temperature control knob is at “OFF” position. Only then should you remove the power plug from the power supply.

CAUTION:

- This appliance should always be operated on a separate power outlet from other operating appliances. It is dangerous to operate if the power outlet is overloaded with other appliances. **Do not use multi-way adaptors.**
- Do not hard-scrub the grill pan and soup pot as it may damage the non-stick coating. Use non-abrasive and non-metallic cleaning materials only.
- Do not touch hot surfaces. Use oven mitts and hold by the appliance’s handles to move it while the appliance is hot. Always place appliance on a heat-resistant surface.
- Never move the appliance containing hot liquids or oil.
- Always use a wooden spatula for stir frying or stirring so as not to damage the non- stick grill pan.

CARE & MAINTENANCE

- Always disconnect the appliance from the main unit before cleaning.
- Always allow your appliance to cool completely before cleaning.
- Never immerse the appliance completely in water or any other liquids.
- Wash the non-stick grill pan and soup pot, glass lid with soapy lukewarm water and dry thoroughly.
- Occasionally wipe the exterior surface with a mild and damp cloth. Never use a corrosive cleaner.




This marking indicates that this product should not be disposed with other household wastes throughout the nation. To prevent possible harm to the environment or human health from uncontrolled waste disposal, recycle it responsibly to promote the sustainable reuse of material resources. To return your used device, please use the return and collection systems or contact the retailer where the product was purchased. They can take this product for environmental safe recycling.

 **Morgan**[®]



E-mail: electrical.appliance@dksh.com
www.morgan.my

 facebook.com/morganappliances