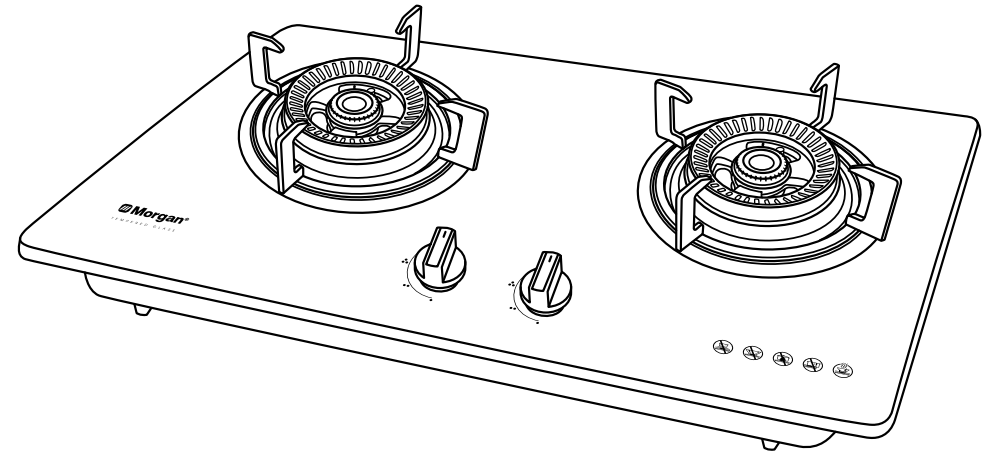



# Morgan®

## USER MANUAL

# Morgan®



E-mail: [electrical.appliance@dksh.com](mailto:electrical.appliance@dksh.com)  
[www.morgan.my](http://www.morgan.my)

 [facebook.com/morganappliances](https://facebook.com/morganappliances)

# Built-in Hob

CLASS 3

MBH-SD2112

# C O N T E N T S

<b>3</b>	Important Safeguards
<b>5</b>	Parts Identification
<b>6</b>	Assembly Instructions
<b>8</b>	installation instructions
<b>9</b>	Operating Instructions
<b>10</b>	Cleaning & Maintenance
<b>11</b>	Troubleshooting
<b>11</b>	Additional Safety Information

Thank you for purchasing a quality MORGAN appliance. We trust that you will have a pleasant experience with your new product. To guarantee safety and best efficiency, please read this manual carefully and keep a copy for future reference.

## IMPORTANT SAFEGUARDS

When using Morgan appliances, basic safety precautions should always be adhered to, including the following:

- Please read this instruction manual carefully and keep it in a safe place for future reference.
- Remove all packing materials from this product before using it.
- This appliance must be installed on a flat and stable surface and in a well-ventilated space.
- This appliance is intended for domestic use only.
- Please ensure the gas supply to this appliance is disconnected before installing.
- This appliance is not intended for use by persons (including children) with reduced physical, sensory or mental capabilities unless they have been given supervision of instruction concerning use of the appliance by a person responsible for their safety.
- Do not operate the appliance or connect it with a gas supply if it is defective or has any visible damage. Please contact with the manufacturer or its authorized service agents to inspect or repair it.
- Please read the appliance's rating label carefully, ensuring the gas type and pressure which is mentioned on the rating label (on the front bottom cover) are the same as what you are using. If any questions, please contact with the manufacturer or its authorized service agent.
- Only professionally trained and qualified gas hobs maintenance personnel can be permitted to install, connect or maintain the appliance.
- This appliance is not connected to a combustion products evacuation device. It shall be installed and connected in accordance with current installation regulations. Particular attention shall be given to the relevant requirements regarding ventilation.
- **WARNING:** The appliance and its accessible parts become hot during use. Care should be taken to avoid touching heating elements.
- Children less than 8 years of age shall be kept away unless continuously supervised.
- To protect against the risk of fire, do not expose the appliance under direct sunlight or place near to flammable materials.
- If the gas pipe or connector is damaged, it must be replaced immediately to avoid a hazard.
- Be sure to turn off the gas supply and main cock if the appliance is not in use.
- Always operate the appliance from the same gas source and pressure as indicated on the appliance identification rating.

## IMPORTANT SAFEGUARDS

- Do not operate this appliance if it has malfunctioned, damaged hose or connector or appears damaged in any way. Contact the manufacturer or its authorized agent for inspection, repair or replacement.
- Do not use or store flammable materials in the vicinity of this appliance while it is in operation.
- Do not spray aerosols in the vicinity of this appliance while it is in operation.
- Do not modify this appliance.
- Always turn off the gas supply when not in use, before assembling or disassembling parts and before cleaning. Fully assemble the product before operating.
- Ensure all the burners are well positioned before operating the product. Do not operate the hob if the burners are not positioned properly.
- Always disconnect the appliance from the gas source when moving it.
- In case of gas leakage, turn off the main cock and ventilate the room immediately by opening the windows and doors. Do not attempt to turn the wall switch of fans or other electrical appliances on or off.

**CAUTION: Should the hotplate glass break, shut off all burners and electrical heating elements immediately. Isolate the appliance from the power supply and do not use or touch the appliance.**

- **WARNING:** Danger of fire: Do not store items on the cooking surfaces.
- **WARNING:** Unattended cooking on a hob with fat or oil can be dangerous and may result in fire.

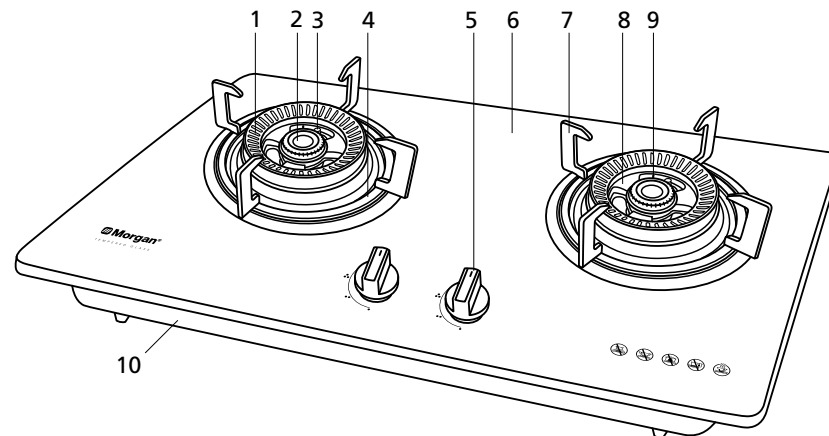
### ENVIRONMENTAL IMPACT FOR THE USER

Protect the environment, benefit mankind, minimize pollution, continuous improvement is our Company's direction towards environmental management.

In accordance with G/T24001 & IS014001 standards, our Company seeks to establish, implement and maintain environmental management system good practices, with the impact of using and completing our products' shelf life as follows:

- Please recycle paper materials by leaving them at the paper recycling station. Ensure to dispose of foam polystyrene and plastic film at the special waste recycling station.
- Indoor ventilation should be maintained at all times during the disposal of this appliance as CO, CO<sup>2</sup>, N<sup>2</sup>O, and other exhaust gases will be discharged and pose a health risk, personal injury and even death such as hypoxia poisoning.
- Please refer to the national provisions of the shelf life as scrap and Midway replacement scrap should be sent to the local waste acquisition station unified treatment (Note: national standards GB17905-2008 (Regulations on the Safety Management of Household Gas Burners)).
- **CAUTION: Prolonged use of the appliance may require additional ventilation. This includes leaving a window open or increasing the level of mechanical ventilation where available for more effective ventilaton.**

## PARTS IDENTIFICATION



### PARTNAME

- |                       |                     |
|-----------------------|---------------------|
| 1. Outer Cap          | 6. Glass Top        |
| 2. Inner Cap          | 7. Pan Stand        |
| 3. Safety Valve       | 8. Decorative Cover |
| 4. Anti-Spillage Tray | 9. Sparker          |
| 5. Knob               | 10. Bottom Base     |

### SPECIFICATIONS

Product	Built-in Gas Hob		
Model No.	MBH-SD2112		
Gas Category	I3B/P(30)		
Gas Type	Butane (G30), Propane (G31) or their mixtures		
Gas Pressure	28 mbar		
Total Heat Input $\Sigma Q_n$ :	9.0kW (655g/h)		
Consumption kW (g/h)	Left: 4.5kW (327.5g/h)	Right: 4.5kW (327.5g/h)	
Heating Efficiency	63%	Electrical Voltage	DC 1.5V
Cut Size (mm)	L650 x D350 (mm)	Product Size	L730 x D410 (mm)
Countries of Destination	Malaysia (MY)	Country of Origin	Made in China
Manufacture to Import by	DKSH Malaysia Sdn. Bhd. (4476-U) B-11-01 The Ascent Paradigm, No.1 Jalan SS7/26A Kelana Jaya, 47301 Petaling Jaya, Selangor, Malaysia.		

This appliance must be installed in accordance with the regulations in force and only used in a well ventilated space. Read the instructions before installing or using this appliance. Forbid to place on the surface of combustible objects.

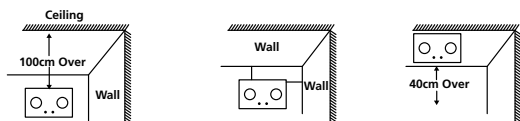
# ASSEMBLY INSTRUCTIONS

## CAUTION

- Prior to installation, ensure that the local distribution conditions (nature of the gas and gas pressure) and appliance adjustment are compatible. The appliance's adjustment conditions are stated on the ratings plate.
- A natural gas cooking appliance can produce heat, moisture and combustion by products in the room where it is installed. Ensure kitchen is well-ventilated especially when appliance is operating. Keep natural air vents open or preferably, install a kitchen hood.

## 1. INSTALL LOCATIONS

- Be sure to install the appliance in a room with no strong air flow.
- Allow at least 15cm of space from kitchen walls, over 100cm from the ceiling and over 40cm below the glass hob.



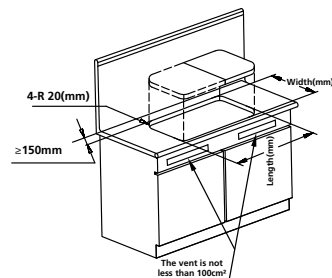
- Make sure the gas hob is installed on a level and stable surface.
- It is recommended to install a heat-proof panel on the kitchen wall if they are made of wood or combustible materials, and ventilation spaces as specified cannot be maintained, to prevent possible fire hazard.
- When two or more gas hobs are installed side by side, the horizontal net distance should not be less than 50cm.
- The installation and commissioning of gas hob, gas source conversion and other processes must be operated by a qualified person.
- There should be a gas-specific valve between the gas pipe and the gas hob in order to switch on and off the gas source on a daily basis, or in the event of an accident with the gas hob, the user can cut off the gas source in time.

## 2. OPENING DIMENSIONS

**CUT SIZE(mm): 650L x 350W (R20mm)**

**NOTE:** Warranty void if hole measurement for installation of hob unit is not followed.

- Open the hole according to the size of the opening card on the installation position of the cooktop you selected, leave no less than 15cm on the left and right sides of the selected location, and leave a space of not less than 10cm on the back.
- To make your kitchen more presentable and easier to clean, it is recommended to apply waterproof glue around the hob's panel where it is in contact with the hob.
- The cabinet shall have vents that communicate with the air and meet the requirements, and the total area of the vents shall be determined according to the heat load of the gas hobs, calculated by 10cm<sup>2</sup> per kilowatt (10 cm<sup>2</sup>/kw) but not less than 80cm<sup>2</sup>.
- The vent should ensure the circulation of air, otherwise it will cause leakage gas accumulation leading explosion.

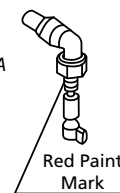


# ASSEMBLY INSTRUCTIONS

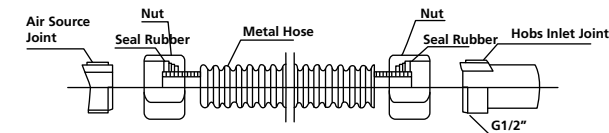
## 3. CONNECTING THE GAS HOSE

- Before installing the hob, detach the plastic dust cover over the bottom of the inlet hose.
  - Refer to Pic. A for standard rubber hose connection.
  - Refer to Pic. B for metal hose connection.
- Be sure to clean the inlet if using standard rubber hose to connect the gas hob. Next, connect the universal joint to the gas inlet with the inner diameter of 9.5mm rubber hose according to the national standard, and insert it into the specified position which is annular groove with red paint.
- Fix with clamps and ensure that the gas hose is protected from extrusion, distortion and excessive bending.
- For metal hose connection, first remove the gas joint at the air inlet hose, then install as seen in Pic. B.

Pic. A



Pic. B



### Installation instructions

- Insert one end of the metal hose with a larger nut to the inlet hose, and tighten in place.
- Insert another end of the metal hose with a smaller nut to the air source joint thread section, and then tighten in place.

## 3. CONNECTING THE GAS HOSE

- Before installing the hob, detach the plastic dust cover over the bottom of the inlet hose.
  - Refer to Pic. A for standard rubber hose connection.
  - Refer to Pic. B for metal hose connection.
- Be sure to clean the inlet if using standard rubber hose to connect the gas hob. Next, connect the universal joint to the gas inlet with the inner diameter of 9.5mm rubber hose according to the national standard, and insert it into the specified position which is annular groove with red paint.
- Fix with clamps and ensure that the gas hose is protected from extrusion, distortion and excessive bending.
- For metal hose connection, first remove the gas joint at the air inlet hose, then install as seen in Pic. B.

### TIPS:

- Ensure the length of the hose does not exceed 2m without a joint, does not pass through the wall, not be used (3) three times when the hose is connected, and gas hose is not exposed to high temperature or contact with the high temperature part of the hob.

## ASSEMBLY INSTRUCTIONS

- Follow the steps below if local requirements insist on the installation of an anti-metal hose or reinforced hose:
  - Check whether the anti-shedding metal hose or reinforced hose is complete after unpacking. The connecting pipe should be used immediately after unpacking to avoid damaging the pipe body.
  - After the special hose nut is accurately screwed into the gas port by hand, tighten it with a wrench. Then tighten the nut at the other end of the hose into the air connecting port of the gas valve in the same manner using a wrench.
  - Avoid twisting the middle pipe body when tightening.

### 4. GAS LEAK INSPECTION

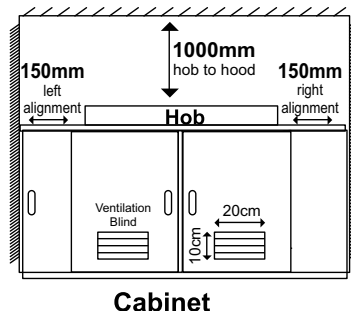
- Leak inspection must be performed after connecting the gas pipeline.
- Open the gas valve, use a soft brush dipped in soapy water on each connection.
- Carefully observe whether there are air bubbles. If bubbles occur, close the valve immediately and adjust the intake gas connection until there are no more bubbles.

### 5. INSTALLING BURNER COVERS

- Install and check the burner covers of the hobs before use.
- The burner covers should be installed smoothly on the hob.
- If the burner cover is shaky, rotate the burner cover properly until it is smooth.

## INSTALLATION INSTRUCTIONS

- The underside of the hob must have a clearance of minimum 40cm. Do not seal completely. The door of the cabinet must have ventilation blinds with ventilation area of not less than 200 cm<sup>2</sup> or 10cm (H) x 20cm (W) at the bottom of both of the cabinet doors.
- Please use specified rubber hose.
- Do not place gas cylinder underneath the hob. The rubber hose must not exceed 2m in length.
- Observe minimum clearance surrounding the hob (more than 150mm from the wall and more than 1000mm for vertical distance). (Refer the diagram)



## OPERATING INSTRUCTIONS

### 1. IGNITION OPERATION

- Ensure all control knobs are in the "OFF" position before opening the main air supply valve.
- Press the knob, and turn the knob counterclockwise to the high fire position. The ignition needle will make a "click" sound, and the flame will automatically ignite.

#### NOTE:

- To ignite, press the burner control knob and rotate it to the left.
- Press and hold the knob for 3 – 5 seconds after firing as the stove flameout protection system needs to be preheated.
- Release burner control knob.

#### TIP

- There may be difficulty in igniting the hob during first time use or when using after a long period of non-use. This is due to the residual air remaining in the gas channel and this is normal.
- Try to ignite several times to exhaust the residual air until it can be ignited normally.
- The ignition time of the stove must be less than 8 seconds each time to avoid deflagration.
- Stop igniting if it fails for 3 consecutive times. Leave the window open for proper ventilation and to allow the gas to dissipate before attempting ignition again to prevent an explosion.

### FLAMEOUT OPERATION

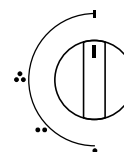
Rotate burner control knob clockwise to the "OFF" position. After hearing a "click", the gas is cut off and the flame of the gas stove goes out.

#### TIP

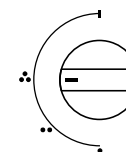
- If the burner of the stove is accidentally turned off, the stove's safety valve will automatically cut off the gas source. To use the stove again, turn all control knobs to the "OFF" position, and then perform the ignition operation again.

### FLAME ADJUSTMENT METHOD

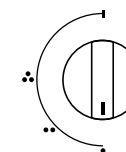
- Press the flame mark at the knob switch to adjust the flame power.
- Note that the flame mark of some models may be different from the figure below.



OFF



Maximum Flame

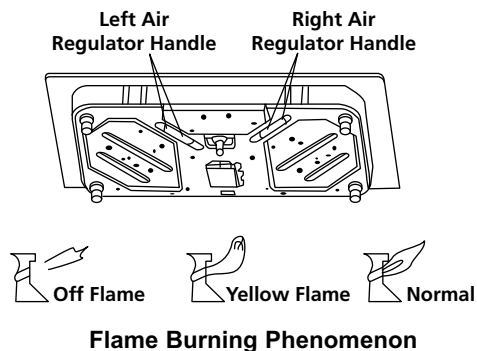


Minimum Flame

## OPERATING INSTRUCTIONS

### 2. AIR REGULATOR ADJUSTMENT

- Correct adjustment of the air-regulator can achieve the best combustion effect. The valve body damper handle is located at the bottom of the hob.
- This hob has been installed with a double-layer fixed air-regulating plate slot, which allows better adjustment of the air inlet and prevent unnecessary missteps.
- Due to factors such as regional gas composition and pressure instability, it is necessary to adjust the valve body damper handle during the first use to avoid undesirable phenomenon such as yellow flame (red flame), flame off, and backfire.



## CLEANING & MAINTENANCE

- Before cleaning, ensure the hob has cooled down completely and that the gas supply is switched off.
- Clean the hob with a damp cloth with mild cleaner. Do not use chemicals, steel wool or abrasive cleaners to clean the hob.

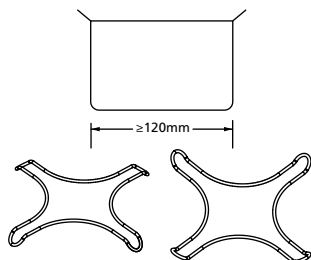
**WARNING: DO NOT IMMERSE THE HOB INTO WATER. ENSURE THAT THE APPLIANCE IS DISCONNECTED FROM THE GAS SUPPLY BEFORE CLEANING.**

## USING THE SMALLER PAN

- The smallest pan to use is the 120mm diameter pan. For your convenience, place a larger pan to support the one with a smaller diameter ( $\geq 120\text{mm}$ ,  $\leq 130\text{mm}$ ) before use.
- Exercise caution when handling the pots as they are hot during operation.

### CAUTION:

1. Do not use cookware that overlaps the hotplate edges.
2. **CAUTION:** Prolonged use of the appliance may require additional ventilation. This includes leaving a window open or increasing the level of mechanical ventilation where available for more effective ventilation.
3. **CAUTION:** Should the hotplate glass break, shut off all burners and electrical heating elements immediately. Isolate the appliance from the power supply and do not use or touch the appliance.



## TROUBLESHOOTING

Burner Cover	<ul style="list-style-type: none"> <li>• Check whether the gaps in the ring caps are clogged.</li> <li>• Clean with a sharp object or wire brush, or similar object.</li> <li>• Dry burner caps after washing.</li> </ul>	
Burners, Burner Cap, Pan Support	<ul style="list-style-type: none"> <li>• Ensure cap is mounted in place.</li> <li>• Gas distribution may not be stable if caps are not mounted correctly.</li> </ul>	
Control Panel	<ul style="list-style-type: none"> <li>• If dirty, use a soft cloth dampened with mild detergent solution to wipe off the dirt.</li> <li>• Do not use Benzyl or thinner for cleaning as these may damage the plastic parts.</li> </ul>	
Gas Hose	<ul style="list-style-type: none"> <li>• Ensure gas hose is tightly secured over the gas supply outlet and tighten with a clamp.</li> <li>• Replace the hose immediately if cracks are detected.</li> </ul>	
Gas Panel	<ul style="list-style-type: none"> <li>• Use a soft cloth to wipe off dirt or stains on the cook top.</li> <li>• Be sure to wipe off dirt or stains immediately to prevent them from hardening and damaging the cook top coating material.</li> <li>• For stubborn stains and dirt, use a soft cloth dampened with neutral detergent solution.</li> <li>• The cook top coating material is vulnerable against physical force or high temperature. Therefore, the following MUST be kept in mind:                             <ul style="list-style-type: none"> <li>– DO NOT use alcohol swabs, polishing powder, cleanser, sharp knife, alkaline detergent or bleaching solution to clean off any dirt or stains.</li> <li>– DO NOT expose cooker to any physical force.</li> <li>– DO NOT expose cooker to excessive heat by covering the burner with a large iron plate or large pot.</li> </ul> </li> <li>• It is normal that after frequent use:                             <ul style="list-style-type: none"> <li>– The gravy tray or pan support will be scratched</li> <li>– The Burner might be discoloured or turn the surface to white after exposure to constant high heat.</li> </ul> </li> <li>• All the above situation will not affect the usage of the stove.</li> </ul>	

## ADDITIONAL SAFETY INFORMATION

**Consistently cleaning the blocked burner crevice to prevent backfire. During cooking, prevent gravy from overflowing the gravy tray.**

The burner crevice is blocked by gravy due to overflowing. This will lead to:

1. Backfire, which may cause glass to break.
  2. Flame will extinguish or unable to maintain its ignition.
- Note that the manufacturer or sales agent will not be held responsible in the event of any glass breakage.
  - Wash the burner cap with water to clean away gravy residues or soot. Do not wash the cap when it is hot after operation.
  - Then use a fine needle, pin or wire to clean the obstructed crevice.
  - Fit back the cap when it is completely clean and dry.

