

 **Morgan®**

FOR A QUALITY LIFESTYLE

# SMART LIVING

BUILT IN SERIES



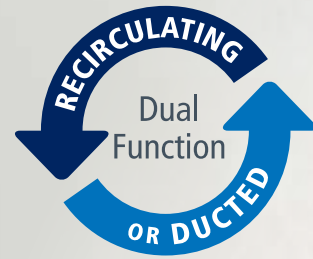
VOLUME

**06**

01 SEPTEMBER - 31 DECEMBER 2022



# DESIGNER HOOD



The future of kitchen innovation is now here! Morgan's Powerful Revolution Smart Series Hood with GESTURE CONTROL & AUTO HEAT CLEANING redefines the way you cook, and clean-up after cooking. No more oily or wet hands touching function buttons. Just a convenient wave of the hand will do!



## SMART SENSOR

Just WAVE to POWER ON /OFF and changing SPEEDS

## AUTO HEAT CLEANING

Morgan's innovative Auto Heat Cleaning Technology uses centrifugal force to heat up and dissolve oil residues in the air chamber and metal exhaust fan. Your kitchen hood stays clean for optimal performance.



Heating Device Heats Up Oil



Oil Softens and is Dissolved



Oil Residues Flow Into Oil Cup

## TO DUCT OR RECIRCULATE?

Your hood should preferably be ducted outdoors to ensure extracted air is directed outside for optimal performance. However, this could be impractical sometimes.

Fortunately, most Morgan hoods feature a recirculating mode to direct air through the metal filter where grease is removed, and subsequently, a carbon filter to eliminate odours before directing back into the kitchen.

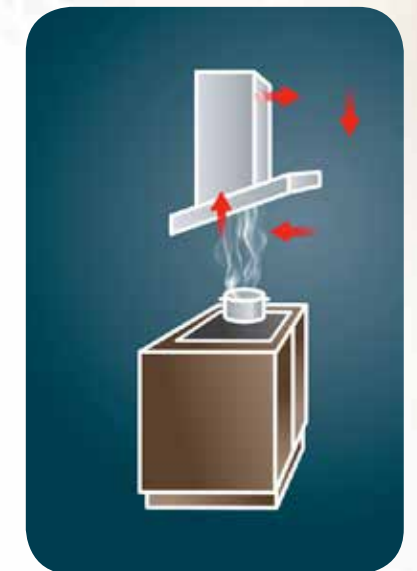
Although that this method will reduce extraction rate compared with ducted extraction, and the carbon odour filter will need replacement.



### Ducted ventilation

- Extracts odours up to 98%
- Extracts steam
- Requires ducting system

*\* It is recommended to leave a window ajar when operating the ducting system.*



### Recirculated Ventilation

- Clean air filter eliminates cooking odours
- Easy installation – requires no ducting
- Requires separate recirculation kit



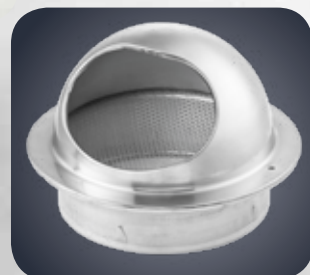
Metal Blower



Dismantable Front Ducting Panel For Easy Cleaning



One Touch Cleaning



Vent Cap



## 1800m<sup>3</sup>/hr POWERFUL SUCTION

Powerful airflow to efficiently remove the most unpleasant odors, steam and grease.

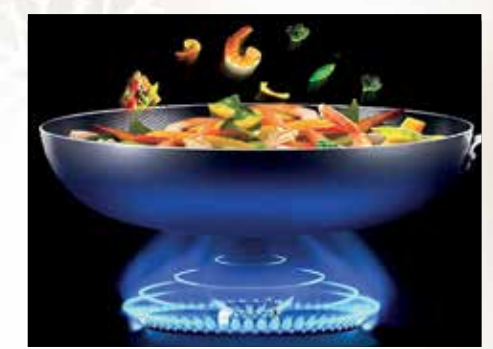


# BUILT-IN HOB

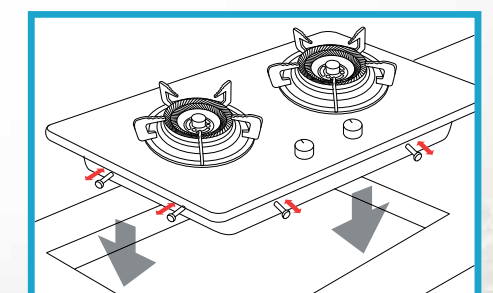


- **Blue Concentrated Flame**  
For maximum heating power and fuller burn
- **Multi-directional Air Supply**  
For stable, uniform combustion
- **Extended Ejector Tube**  
Fully mixes air & gas with strong gas suction

MORGAN OPTIFLEX series ensures powerful and heat concentrated flames with stable combustion to bring out the best flavours and cooking results. Just get its flexible cut-out dimensions to replace your old burner and experience the difference!



- Burner Cap
- Outer Burner
- Burner Base
- Safety Device



### FITS EASILY INTO YOUR EXISTING COOKTOP SPACE

- Recommended fitting dimensions (mm):
- MBH-622 OPTIFLEX: 635-735(W) x 350-421(D)
  - MBH-SD625 OPTIFLEX: 640-730(W) x 360-410(D)
  - MBH-SD635 OPTIFLEX: 635-820(W) x 350-460(D)



Powerful Flame with Heat Deflector



Energy concentrator for stronger flame



Duplicast Iron Trivets



Safety Valve



### EASY TO CLEAN FEATURES

Cleaning after labouring in the kitchen preparing your favourite food can be very demanding, especially in Asian cooking. That's why our cooker hobs are featured with a tempered glass exterior to withstand extreme heat and for swift, easy cleaning.



# BUILT-IN PROMOTION

## DESIGNER HOOD MDH-997MHC

- 1800m<sup>3</sup>/hr extraction capacity
- 3 Speed motor with Sensor Touch control
- Motion control and Touch control
- With Heat Auto-Cleaning Function
- With Metal blower
- LED light
- With rectangle oil cup
- With Charcoal filter
- With 1 minute delay timer function
- Dimension of ducting hole: Ø180mm
- 2 chimneys
- 3 meters double layer aluminium foil ducting hose
- With wall vents cap Ø180mm
- 2 years warranty on motor

**RM3209(WM) RM3309(EM)**  
RRP: RM4518(WM) RM4618(EM)



Dismantable Front Ducting Panel For Easy Cleaning



## DESIGNER HOOD MDH-936STHC

- 1800m<sup>3</sup>/hr extraction capacity
- 3 Speed motor with Sensor Touch control
- Motion control and Touch control
- With Heat Auto-Cleaning Function
- With Metal blower
- Washable Stainless Steel filter
- LED light
- With rectangle oil cup
- With Charcoal filter
- With 1 minute delay timer off function
- Dimension of ducting hole: Ø180mm
- 2 chimneys
- 3 meters double layer aluminium hose
- With wall vents cap Ø180mm
- 2 years warranty on motor

**RM2189(WM) RM2259(EM)**  
RRP: RM3308(WM) RM3378(EM)



## DESIGNER HOOD MDH-996MHC

- 1800m<sup>3</sup>/hr extraction capacity
- 3 Speed motor with Sensor Touch control
- Motion control and Touch control
- With Heat Auto-Cleaning Function
- With Metal blower
- LED light
- With oil cup
- With Charcoal filter
- With 1 minute delay off timer
- Dimension of ducting hole: Ø180mm
- 2 chimneys
- 3 meters double layer (aluminium + plastic) ducting hose
- With wall vents cap Ø180mm
- 2 years warranty on motor

**RM3209(WM) RM3309(EM)**  
RRP: RM4518(WM) RM4618(EM)



## DESIGNER HOOD MDH-922OC

- 1200m<sup>3</sup>/hr extraction capacity
- 3 Speed motor with "Push Button" control
- Washable Stainless Steel Pyramid filter
- LED light
- With 5 minutes delay timer
- With oil cup
- 2 meters aluminium hose
- Dimension of ducting hole: Ø150mm
- Recommended installation height from gas stove/hob: 650mm – 750mm
- 5 years warranty on motor

**RM1839(WM) RM1889(EM)**  
RRP: RM2838(WM) RM2888(EM)



Metal Blower



Oil Collector



LED Light



5 YEARS WARRANTY On Motor



## RANGE HOOD MCH-NC276(DM)

- Powerful twin motor: 65W + 65W
- Motor speed: 1300rpm
- Suction 840m<sup>3</sup>/hr
- With Charcoal filter
- Dimension of ducting hole: Ø150mm
- Dimension (mm): 760L x 515D x 130H

**RM999(WM) RM1019(EM)**  
RRP: RM1508(WM) RM1528(EM)



2 Metal Blowers



Oil Collector



Motion Control

One Touch Cleaning

Heat Auto Cleaning

Metal Blower

Vent Cap



Dual Function OR DUCTED

OR

OR

OR

OR



# UPGRADE From MBH-GC1122 ENDURE



## BUILT-IN HOB MBH-GC1122

- Tempered glass 8mm
- Powerful flame – L/R: 3.2kW
- Duplicast iron trivets

RRP: RM669(WM) RM679(EM)



## BUILT-IN HOB MBH-SD635 OPTIFLEX

- Tempered glass 8mm
- Powerful flame – L/R: 5.0kW
- Duplicast iron trivets
- With heat deflector
- With energy concentrator
- With safety valve
- Flexible to fit in any cut out size

RRP: RM1429(WM) RM1439(EM)

ADD ON: **RM750(WM)**  
**RM760(EM)**



## BUILT-IN HOB MBH-622 OPTIFLEX

- Tempered glass 8mm
- Powerful flame – L/R: 4.3kW
- Flexible to fit in any cut out size
- Duplicast iron trivets

RRP: RM999(WM) RM1009(EM)

ADD ON: **RM320(WM)**  
**RM330(EM)**



## BUILT-IN HOB MBH-GC1142(BK)

- Tempered glass 8mm
- Powerful flame – L/R: 3.8kW
- Duplicast iron trivets

RRP: RM859(WM) RM869(EM)

ADD ON: **RM180(WM)**  
**RM190(EM)**



## BUILT-IN HOB MBH-SD625 OPTIFLEX

- Tempered glass 8mm
- Powerful flame – L/R: 5.0kW
- Duplicast iron trivets
- With heat deflector
- With safety valve
- Flexible to fit in any cut out size

RRP: RM1339(WM) RM1349(EM)

ADD ON: **RM660(WM)**  
**RM670(EM)**

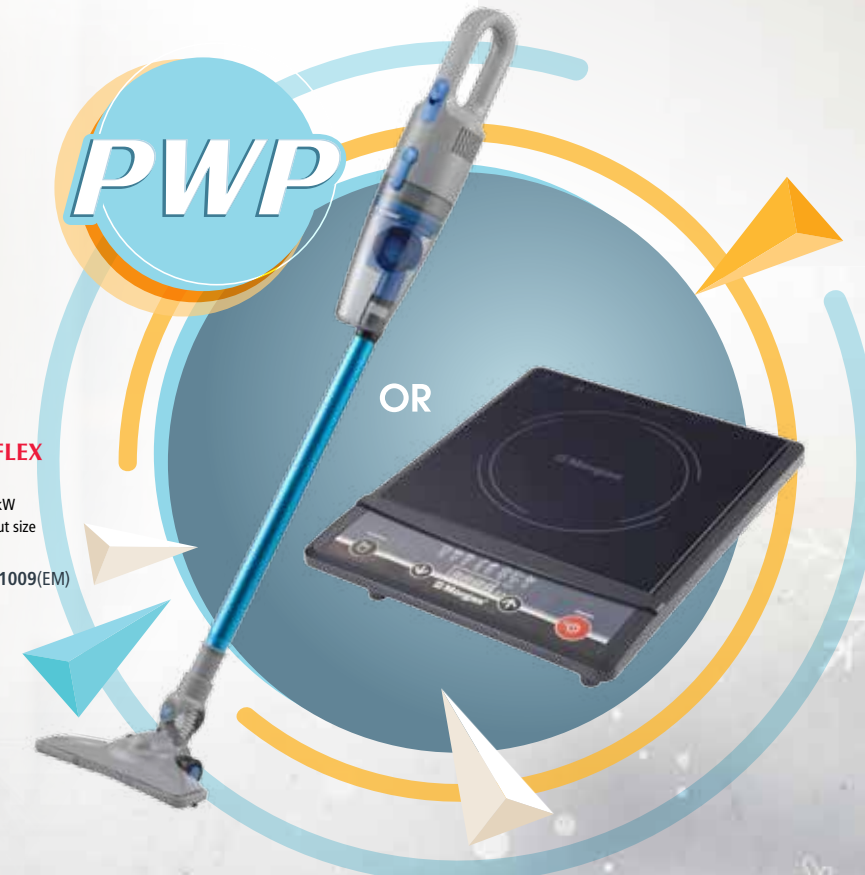


## BUILT-IN HOB MBH-GC522C(BK)

- Tempered glass 8mm
- Powerful flame – L/R: 4.0kW
- Enamel coated trivets

RRP: RM699(WM) RM709(EM)

ADD ON: **RM20(WM)**  
**RM30(EM)**



with purchase of any MORGAN Hob Hood package will entitle to buy an Induction Cooker (MIC-2520) at **RM99(WM) / RM103(EM)** or Cordless 3 in 1 Stick Vacuum Cleaner (MVC-CHS120) at **RM160(WM) / RM166(EM)** only



# BUILT-IN OVEN

## TRIPLE LAYER COOL DOOR SYSTEM

### Innovative triple layer heat reflective coating:

- Keeps exterior oven door temperature cooler to the touch.
- Prevents burns when touching the oven door.
- Child-proof safety features.



## INNOVATIVE CONVECTION SYSTEM

Morgan's innovative convection system delivers the ideal temperature and airflow. Enjoy different cooking styles made faster and more evenly with its different convection options.



## BIGGER CAPACITY, SAVE ENERGY & TIME

Our 70L large oven gives more flexibility to cook larger quantities of food at once at your convenience.



ECO function saves energy in grilling mode. This method of cooking uses the top heating element, and is ideal for slow heating. The temperature rises slowly in oven heating so heat is fully penetrated into the food, reducing excessive energy and heat consumption.



## CLASS A ENERGY EFFICIENCY

- For lower energy consumption & shorter cooking time.
- Conforms to worldwide energy efficiency standards.



FULL GRILL WITH ROTISSERIE



DEFROST



FAN & GRILL



CONVENTIONAL OVEN (Top & Lower Element)



INNER LIGHT



HALF GRILL



FAN AND BOTTOM ELEMENT



REAR HEAT WITH FAN



TIMER



BELL SYSTEM



ENERGY SAVING GRILLING MODE



### BUILT-IN OVEN MBO-7680D

- Capacity: 70 Litres
- Power: 2300W
- Max temp: 250°C
- Electronic Control
- Oven Lamp: 1 x 25W
- With convection fan and Rotisserie
- 3-layer removable door with viewing window
- 24 hours digital timer with alarm
- With LED display
- Full black tempered glass
- 8 functions: Defrost, Top and bottom heating element, Rear heat with fan, Half Grill (top heating element), Full grill with rotisserie, Convection fan with Full grill, Convection fan with bottom heating element and Energy saving grilling mode.
- Standard accessories: 1 easy clean enamelled baking tray, 1 stainless steel oven rack, 1 rotisserie set, 1 set rack support

RM2890(WM) RM2940(EM)  
RRP: RM4499(WM) RM4549(EM)



PURCHASE with PURCHASE

### BUILT-IN OVEN MBO-7680D

- Capacity: 70 Litres
- Power: 2300W
- Max temp: 250°C
- Electronic Control
- Oven Lamp: 1 x 25W
- With convection fan and Rotisserie
- 3-layer removable door with viewing window
- 24 hours digital timer with alarm
- With LED display
- Full black tempered glass
- 8 functions: Defrost, Top and bottom heating element, Rear heat with an, Half Grill (top heating element), Full grill with rotisserie, Convection fan with Full grill, Convection fan with bottom heating element and Energy saving grilling mode.
- Standard accessories: 1 easy clean enamelled baking tray, 1 stainless steel oven rack, 1 rotisserie set, 1 set rack support

RM1899(WM) RM1949(EM)  
RRP: RM4499(WM) RM4549(EM)



### ALUMINIUM DUCT D-D10L

- Stainless steel ducting cap Ø 140mm
- Aluminium foil hose Ø 160mm
- Min. size: 870mm & Max. size: 3000mm

RM105(WM) RM115(EM)  
RRP: RM169(WM) RM179(EM)





# GAS STOVE



**DOUBLE GAS STOVE**  
**MGS-8312G**

- 120mm x 120mm Black brass burner head
- Glass top for elegant look & easy cleaning
- High efficiency burner head for powerful flame
- Enamel trivet for durability
- Stainless Steel Body
- Piezo ignition

**RM289(WM) RM295(EM)**  
RRP: RM399(WM) RM405(EM)



**DOUBLE GAS STOVE**  
**MGS-9313CD**

- 130mm x 130mm Copper Brass Burner Head
- 100% Stainless Steel Body
- Duplicast Iron Trivets for Durability
- Elegant Design & Easy Cleaning
- Double Pipe
- Piezo ignition

**RM289(WM) RM295(EM)**  
RRP: RM399(WM) RM405(EM)



**DOUBLE GAS STOVE**  
**MGS-7313S**

- 130mm x 130mm stainless steel burner head
- Stainless steel top
- Double pipe
- Double 8 jets burner
- Piezo ignition

**RM169(WM) RM175(EM)**  
RRP: RM229(WM) RM235(EM)



**DOUBLE GAS STOVE**  
**MGS-SC9516CD**

- 135mm x 135mm Copper Burner Head
- 100% Stainless Steel Body
- Elegant Design
- High Efficiency Burner Head for Powerful Flame
- Duplicast Iron Trivets
- Double Pipe
- Piezo ignition

**RM299(WM) RM305(EM)**  
RRP: RM429(WM) RM435(EM)



**DOUBLE GAS STOVE**  
**MGS-5515**

- 130mm x 150mm Iron burner head
- 100% Stainless steel body
- Elegant design
- High efficiency burner head for powerful flame
- Piezo ignition

**RM289(WM) RM295(EM)**  
RRP: RM389(WM) RM395(EM)



**DOUBLE GAS STOVE**  
**MGS-7212S**

- 120mm x 120mm stainless steel burner head
- Stainless steel top
- Double pipe
- Enamel trivet for durability
- Piezo ignition

**RM149(WM) RM155(EM)**  
RRP: RM199(WM) RM205(EM)

# INDUCTION/CERAMIC COOKER



Ideal for Stainless Steel Grill Plate or Pot



Ideal for Clay Pots



Ideal for Glassware



**CERAMIC COOKER**  
**MCC-2002**

- Power rating: 2000W
- With stainless steel grill plate

**RM249(WM) RM250(EM)**  
RRP: RM379(WM) RM380(EM)



**INDUCTION COOKER**  
**MIC-2520**

- Power rating: 2000W
- 8 cooking functions selection: Hot pot, Fry, Stir fry, BBQ, Soup, Rice, Milk and Water.
- LED Screen Display
- Over-heat Protection System

**RM169(WM) RM175(EM)**  
RRP: RM319(WM) RM325(EM)

# HOOD / HOB SPECIFICATION

MBH-SD625 OPTIFLEX



Powerful Flame with Heat Deflector



\* Powerful Flame with Energy Concentrator

\* MBH-SD635 OPTIFLEX



Duplicast Iron Trivets



Safety Valve

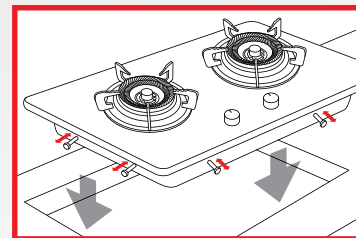
MBH-622 OPTIFLEX



Powerful Flame



Duplicast Iron Trivets



**FITS EASILY INTO YOUR EXISTING COOKTOP SPACE**  
Recommended fitting dimensions (mm):

- MBH-622 OPTIFLEX: 635-735(W) x 350-421 (D)
- MBH-SD625 OPTIFLEX: 640-730(W) x 360-410(D)
- MBH-SD635 OPTIFLEX: 635-820(W) x 350-460(D)

MBH-GC522C(BK) ROBUSTO



Powerful Flame



Enamel Coated Trivets

MBH-GC1142(BK)



Powerful Flame



Duplicast Iron Trivets

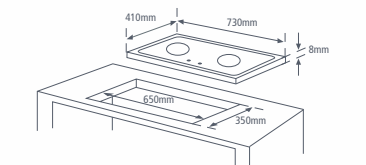
MBH-GC1122 ENDURE



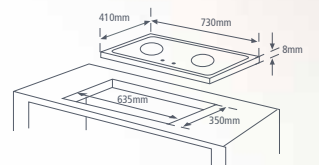
Powerful Flame



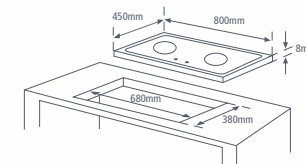
Duplicast Iron Trivets



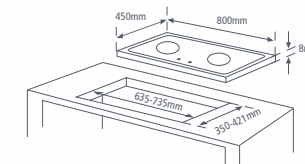
MBH-GC1122 ENDURE



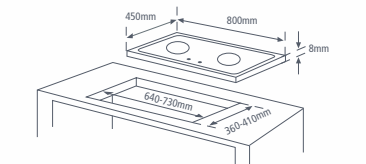
MBH-GC1142(BK)



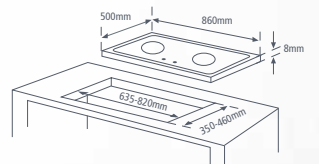
MBH-GC522C(BK) ROBUSTO



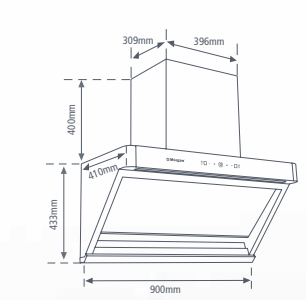
MBH-622 OPTIFLEX



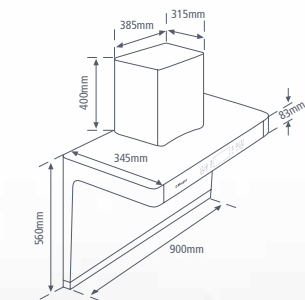
MBH-SD625 OPTIFLEX



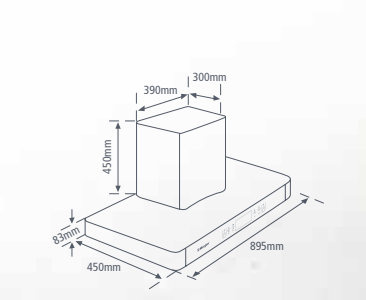
MBH-SD635 OPTIFLEX



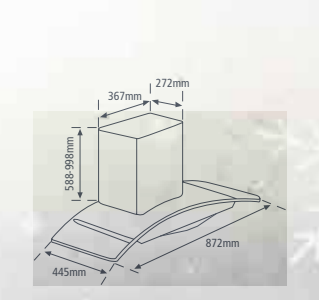
MDH-996MHC



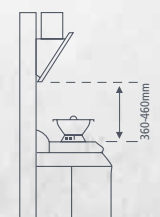
MDH-997MHC



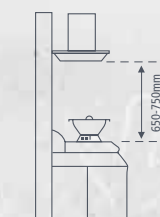
MDH-936STHC



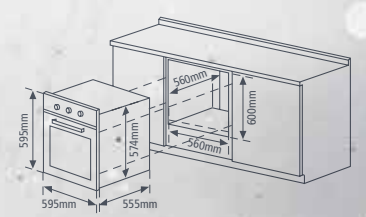
MDH-922OC



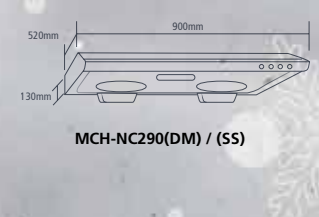
SLANTED HOOD



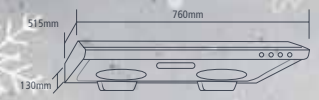
T-HOOD/ARCH-GLASS HOOD



MBO-7680D



MCH-NC290(DM) / (SS)



MCH-NC276(DM)





Exclusive Dealer:

- Offer valid while stocks last
- Prices shown are not valid for redemption project & duty-free sales
- We reserve the right to alter, modify or replace the product price, specifications & models without prior notice
- All items featured in this catalogue may differ from the actual product in terms of colour & design details
- The recommended retail price is the price which the importer recommends that the retailer sell the product.
- Retailers are able to independently set the retail price.

Market Expansion  
Services by  
[www.dksh.com.my](http://www.dksh.com.my)



**DKSH Malaysia Sdn Bhd** 196101000441 (4476-U)  
B-11-01, The Ascent, Paradigm,  
No. 1, Jalan SS7/26A, Kelana Jaya,  
47301 Petaling Jaya, Selangor Darul Ehsan.  
Tel: +603 7882 8888 Fax: +603 7882 5555  
[www.morgan.my](http://www.morgan.my)

Customer Care Hotline: **03-7781 9229**

 [facebook.com/morganappliances](https://facebook.com/morganappliances)