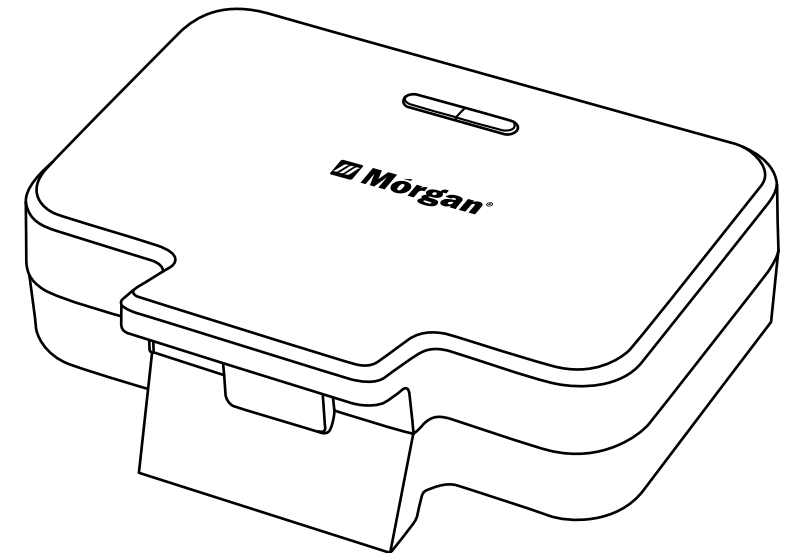
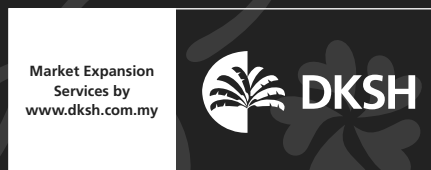


 **Mórgan®**

USER MANUAL



 **Mórgan®**



E-mail: electrical.appliance@dksh.com
www.morgan.my

 [facebook.com/morganappliances](https://www.facebook.com/morganappliances)

Sandwich Maker

MSM-SC140NS

C O N T E N T S

3 Important Safeguards

4 Parts Identification

4 Specifications

5 During First Use

5 Operation Instructions

5 Precautions

6 Care & Cleaning

Thank you for purchasing a quality MORGAN appliance. We trust that you will have a pleasant experience with your new product. To guarantee safety and best efficiency, please read this manual carefully and keep a copy for future reference.

IMPORTANT SAFEGUARDS

When using electric appliances, basic safety precautions should always be adhered to, including the following:

1. Read all instructions carefully and retain them for future reference.
2. Before connecting to the power supply, ensure that the unit is earthed and its voltage corresponds to the voltage indicated on the power supply rating label.
3. Do not allow the power cord to hang over edge of table or counter, or touch hot surface.
4. Do not operate any electrical appliance with a damaged power cord or power plug or after the appliance malfunctions or has been damaged in any manner. Return the appliance to your nearest authorized service facility for examination, repair or adjustment.
5. If the power cord is damaged, it must be replaced by the manufacturer or its service agent or a similarly qualified person in order to avoid a hazard.
6. Children should be supervised to ensure that they do not play with the appliance.
7. The use of accessories not recommended by the appliance manufacturer may result in fire, electric shock or injury to persons.
8. Always disconnect appliance from the power supply when not in use or before cleaning.
9. This appliance can be used by children aged from 8 years and above and persons with reduced physical, sensory or mental capabilities or lack of experience and knowledge if they have been given supervision or instruction concerning use of the appliance in a safe way and understand the hazards involved.
10. Children should not be allowed to play with the appliance. Cleaning and user maintenance shall not be made by children unless they are older than 8 and supervised.
11. Keep the appliance and its power cord out of reach of children aged 8 years and below.
12. To protect against electric shock, do not immerse power cord, power plug, or any parts of the unit in water or other liquids.
13. This appliance is incorporated with a grounded plug. Please ensure the wall outlet in your house is well earthed.
14. Do not operate the appliance unattended to avoid a hazard.
15. Always operate the appliance on a secure, stable and dry surface.
16. Do not place on or near a hot gas or electric burner, or in a heated oven.
17. Do not use appliance for other than its intended use.
18. Do not clean container with cleansers, steel wool pads, or other abrasive materials.
19. Never insert oversized food or metal foil or other utensils into the appliance.
20. **WARNING:** Hot surface! Use handle or knobs only.

IMPORTANT SAFEGUARDS

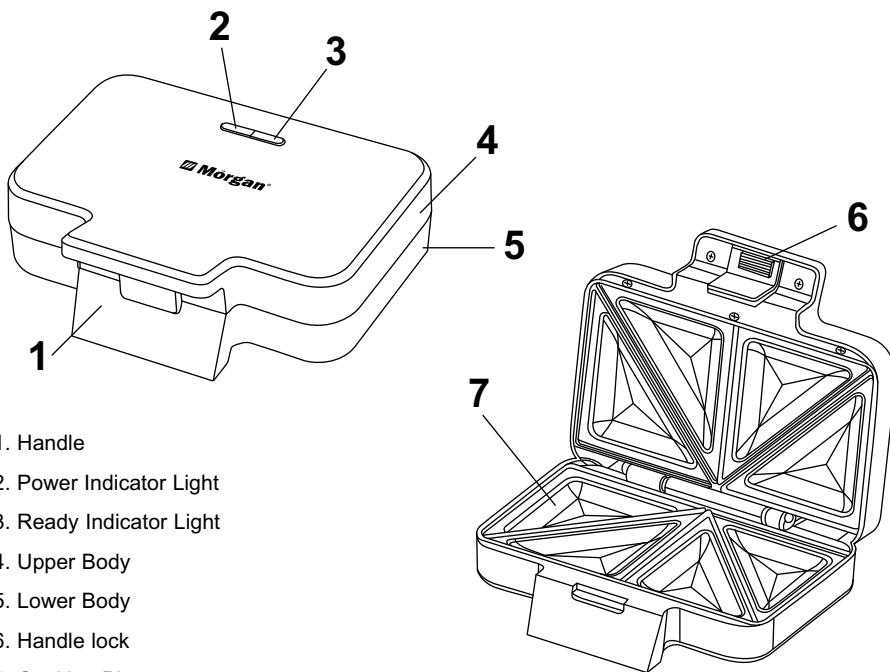
21. This appliance is intended to be used in household and similar applications such as: - Staff kitchen areas in shops, offices and other working environments
 - Farm houses
 - By clients in hotels, motels and other residential type environments
 - Bed and breakfast type environments.
22. This appliance is not intended to be operated with an external timer or separate remote-control system.
23. **WARNING:** The outer surface of this appliance is extremely hot during operation.

DURING FIRST USE

Note: This appliance with triangle heating plate is only used to toast bread.

- For the first use, smear the heating plate with oil and toast two slices of bread according to the following steps.
- After toasting, disconnect from the power supply and allow it to cool down, wipe the heating plates with a damp cloth, and discard the toasted bread.

PARTS IDENTIFICATION



1. Handle
2. Power Indicator Light
3. Ready Indicator Light
4. Upper Body
5. Lower Body
6. Handle lock
7. Cooking Plate

OPERATION INSTRUCTIONS

- Connect the power plug into the power supply.
- Once the Power Indicator is illuminated red, the unit will begin preheating.
- During preheating, respectively brush some butter on the cooking plate.
- Once the cooking surface has reached the preset temperature, the Ready indicator will illuminate green and signal that this appliance is ready to toast.
- When ready indicator is on, bake for about 6-8 minutes.
- After toasting the bread, open the appliance and remove them using a pair of plastic tongs.
- The appliance can also be stopped at any time by detaching the power cord from the power supply.

PRECAUTIONS

- Do not insert excessive food into the appliance otherwise the appliance cannot be closed. Never close it forcibly as this could damage the handle.
- Never use any sharp implements to remove the food as this would damage the appliance's non-stick coating. Use heat-resistant wood or plastic utensils only.

WARNING: Never touch the heating plate during operation as they can be extremely hot!

SPECIFICATIONS

Model	MSM-SC140NS
Rated Voltage / Frequency	220-240V~ 50-60Hz
Rated Wattage	700W

CARE & CLEANING

It is recommended to clean the appliance after every use.

- Disconnect the appliance from the power supply and allow it to cool down completely before cleaning.
- **INSIDE:** use a soft wet cloth to wipe the heating surfaces and dry thoroughly.
- **OUTSIDE:** Wipe with a soft damp cloth and wipe dry with a soft cloth.
- Store the appliance in a cool dry place out of children's reach.
- In the event of any problem, please contact your nearest authorized service centre for assistance.

NOTE:

- Never use abrasive cleansers or rough scouring pad to wipe the heating plates
- After cleaning, close and lock the appliance by snapping the handle fastener into the handle.



ENVIRONMENT-FRIENDLY DISPOSAL

You can help protect the environment! Please remember to respect local waste management regulations and hand in non-working electrical equipment to an appropriate waste disposal centre nearest you.