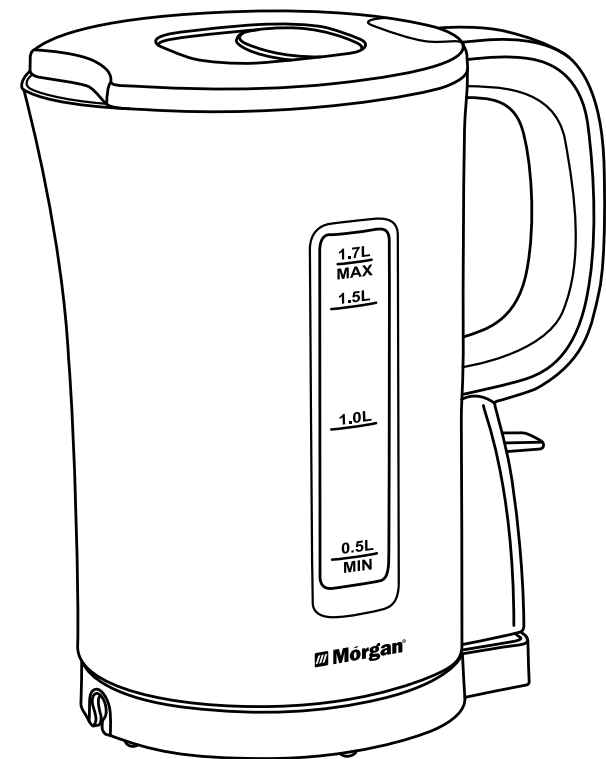


Mórgan®

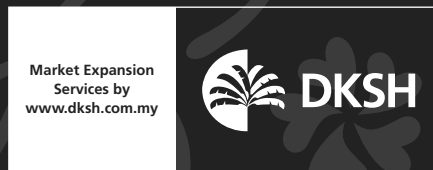
USER MANUAL



Jug Kettle

MJK-927

Mórgan®



E-mail: electrical.appliance@dksh.com

www.morgan.my

 facebook.com/morganappliances

C O N T E N T S

3 Important Safeguards

5 Parts Identification

5 Specifications

6 Operating Instructions

7 Care and Cleaning

Thank you for purchasing a quality MORGAN appliance. We trust that you will have a pleasant experience with your new product. To guarantee safety and best efficiency, please read this manual carefully and keep a copy for future reference.

IMPORTANT SAFEGUARDS

When using electric appliances, basic safety precautions should always be followed including the following:

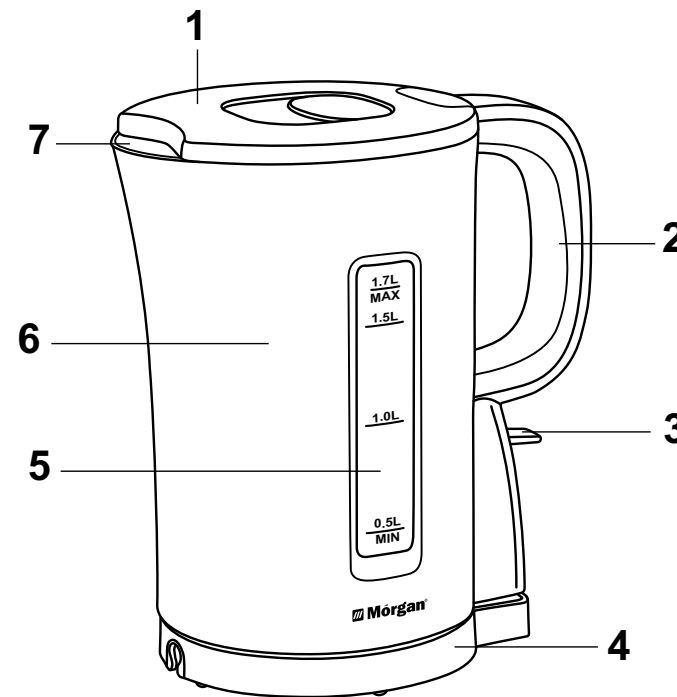
1. Read all instructions before using.
2. Before using the appliance, ensure that the voltage of your power supply corresponds to the one on the rating plate found on the bottom of the appliance.
3. Do not use the attached power base for other than its intended use.
4. Do not operate the appliance empty to avoid damaging the heating element.
5. Should you accidentally operate the kettle without water, the boil-dry protection will automatically switch it off. If this should occur, allow the kettle to cool before filling with cold water and re-boiling.
6. Always disconnect power cord from the power supply when appliance is not in use and before cleaning. Allow it to cool before attaching or detaching parts and before cleaning.
7. Do not allow power cord to hang over edge of table counter or touch hot surface.
8. Do not place appliance on or near a hot gas or electric burner or in a heated oven.
9. Always operate the appliance on a firm and stable surface, out of children's reach as this will prevent the kettle from overturning and avoid damage or injuries.
10. This appliance is not intended for use by persons (including children) with reduced physical, sensory or mental capabilities, or lack of experience and knowledge, unless they have been given supervision or instruction concerning use of the appliances by a person responsible for their safety.
11. Children should be supervised to ensure that they do not play with the appliance.
12. Do not immerse power cord, power plug or appliance in water or other liquids to avoid hazards and personal injuries.
13. **CAUTION:** Always pour boiling water slowly and carefully without tipping the kettle too fast.
14. Avoid contacting with hot escaping steam from the spout when water is/after boiling.
15. Close supervision is necessary when any appliance is used by or near children.
16. **CAUTION:** Do not touch hot surfaces. Use the handle or the button.
17. Exercise extreme caution when moving an appliance containing hot water. Do not move the appliance with the kettle switched on.
18. **CAUTION:** The use of attachments that are not recommended by the appliance manufacturer may result in fire, electric shock or personal injury.

IMPORTANT SAFEGUARDS

19. Always ensure the lid is closed and do not lift it when water is boiling to prevent scalding or other injuries.
20. If power cord is damaged, it must be replaced by the manufacturer or its service agent or a similarly qualified person in order to avoid a hazard.
21. Do not use the appliance for other than intended use. Do not use outdoors.
22. The appliance can only be operated with the supplied power base.
23. **CAUTION:** If the kettle is overfilled, boiling water may be ejected.
24. This appliance is intended to be used in household and similar applications such as:
 - Staff kitchen areas in shops, offices and other working environments;
 - Farm houses;
 - By clients in hotels, motels and other residential type environments;
 - Bed and breakfast type environments.

PARTS IDENTIFICATION

1. Lid
2. Handle
3. Power Switch
4. Power Base
5. Water Gauge
6. Housing
7. Spout



SPECIFICATIONS

Model	MJK-927
Rated Voltage / Frequency	220-240V~ 50-60Hz
Rated Wattage	1850-2200W
Capacity	1.7L

BEFORE FIRST USE

If you are using the kettle for the first time, it is recommended to clean it before use by boiling the Max capacity of water once and then discard the water. Wipe the surface with damp cloth.

1. To fill water into the kettle, remove it from the power base and open the lid by lifting the lid handle. Always fill the kettle between the minimum (0.5L) and maximum (1.7L.) marks. Too little water will result in the kettle switching off before the water has boiled.

NOTE: Do not fill water over the maximum level, as water may spill out of the spout when boiling.

2. Close the lid. Position the kettle on the power base. Ensure the appliance contacts with the power base completely.
3. Insert power plug into a power supply. Press down the power switch to "I" position and the switch light will illuminate.
4. Water will begin boiling. Once water has boiled, the kettle will power off automatically and the switch light will extinguish. You can shut off the power by pressing the switch at any moment during boiling water.

NOTE: Ensure that the power switch is clear of obstructions and the lid is firmly closed. The kettle will not power off if the switch is obstructed or if the lid is left open.

5. Lift the kettle from the power base and then pour the water.

WARNING: Exercise caution when pouring water from the kettle. Boiling water and escaping hot steam from an open lid may scald!

The kettle will not re-boil until the switch is uplifted. Allow to cool for 15~20 seconds before reopening to boil water. The kettle may be stored on the power base when not in use.

NOTE: Ensure power supply is turned off when kettle is not in use.

BOIL-DRY PROTECTION

The boil-dry protection will automatically activate and power off the kettle if it is accidentally operated without water. Should this occur, allow the kettle to cool before filling with cold water and re-boiling.

1. Always disconnect the appliance from the power outlet and leave it to cool down completely before cleaning.
2. Never immerse the appliance or power cord in water and other liquids, or allow moisture to contact with these parts.
3. Clean the external housing by wiping with a damp cloth and mild detergent cleanser.
4. **CAUTION:** Do not use harsh chemicals, steel, wooden or abrasive cleaners to clean the appliance's exterior.
5. Clean the filter with a mild detergent and damp cloth at intervals.

REMOVAL OF MINERAL DEPOSITS

Mineral deposits in tap water may cause the appliance interior to discolour. To remove this build-up, use non-toxic Liquid Descaler.

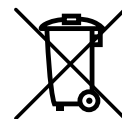
ALTERNATIVELY:

- Fill the kettle with 3 cups of white vinegar to water and allow to stand overnight. Do not boil.
- Empty the solution from the appliance. Any remaining stains inside the spout can be removed by rubbing with a damp cloth.
- Fill the appliance with clean water, bring to boil and then discard the water. Repeat and the kettle will then be ready for use.

STORAGE

When not in use or for storage, wind the power cord around the cord storage under the base of kettle. Cover and store the appliance in a cool place.

ENVIRONMENT-FRIENDLY DISPOSAL



You can help protect the environment!

Please remember to respect the local regulations and dispose non-operating electrical equipment to an designated waste disposal centre.