



OPERATION INSTUCTIONS

• VACUUM CLEANER •



• PLEASE READ INSTRUCTIONS
CAREFULLY BEFORE USE & RETAIN FOR
FUTURE REFERENCE •



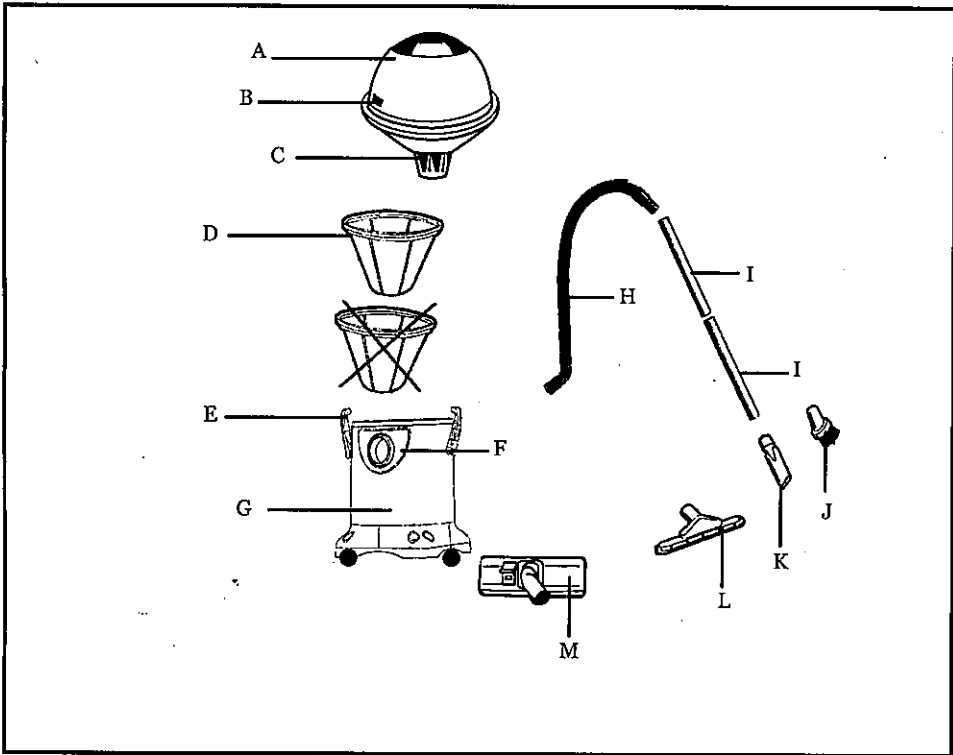


** IMPORTANT SAFEGUARDS **

PLEASE READ BEFORE USE

- 1) Use indoor only, strictly not for industrial use.
- 2) Check at the main voltage corresponds to the voltage indicated on the rating label.
- 3) If the power cord is damaged-switch off immediately and it must be replaced by the manufacturer or authorized service technician.
- 4) Never pick up asbestos or asbestos dust or anything that is burning or smouldering.
- 5) Never pick up inflammable or corrosive liquids such as petrol or other volatile substances.
- 6) Avoid sharp object or objects that can get stuck in and block the hose.
- 7) Always use vacuum cleaner horizontally positioned. Never work it on a slanting surface or hang it upside down. Otherwise the water may enter the motor to damage it.
- 8) Avoid hot ashes or glowing objects.
- 9) Do not pull, lift or carry by the power cord. Do not use the cord as handle, close a door on the cord or pull the cord around or against sharp edges or corners.
- 10) Do not use the cleaner without the filter in place.
- 11) Never leave the sewage in the dust box for long time.
- 12) Do not handle the plug, switch or appliance with wet hands.
- 13) Always remove the plug from the wall socket in case of any malfunction, after use and before cleaning.
- 14) Do not position the appliance or power cord on or near hot surface or near open flames.
- 15) Should only be used by adults.

**** Description & General Assembly of Wet/Dry Vacuum Cleaner ****



- | | |
|---|-----------------------------|
| A. Motor head | F. Suction inlet. |
| B. Switch | G. Tank |
| C. Float, prevents water entering motor when tank full. | H. Flexible hose |
| D. Polyester filter, remove for liquid pick-up. | I. Extension Wands |
| E. Hand lock | J. Ellipse Brush |
| | K. Crevice tool |
| | L. Squeeze Nozzle (for wet) |
| | M. Master Nozzle (for dry) |

ATTENTION :

TO ENSURE THE EFFICIENT PERFORMANCE OF THE MACHINE, CLEAN THE POLYESTER FILTER AFTER EACH USE



** INSTRUCTIONS MANUAL **

The Vacuum Cleaner is designed for :

- 1) Dry vacuum cleaning of dust.
- 2) Wet vacuum cleaning of water based liquids.
- 3) Blow vacuum cleaning can be used for job such as dusting out the garage or workshop.

Dry Suction / Operating Instructions :

- Insert the cloth filter bag in the tank (Fig. 1).
- Assemble the head on tank and lock it by hand lock (Fig. 3).
- Connect the flexible hose to the suction inlet (Fig. 4).
- Connect the wand and the extensions to the other side of flexible hose (Fig. 5).
- Select & connect the most suitable accessory (Fig. 6)
- Connect the plug to power socket then switch on the equipment (Fig. 7).
- Example of use of crevice tool (Fig. 8).
- Example of use of Ellipse Brush (Fig. 9).
- Example of use of Squeeze Nozzle for floor cleaning (Fig. 10).
- Example of use of Master Nozzle for carpet tool (Fig. 11).

Liquid Suction / Operating Instructions :

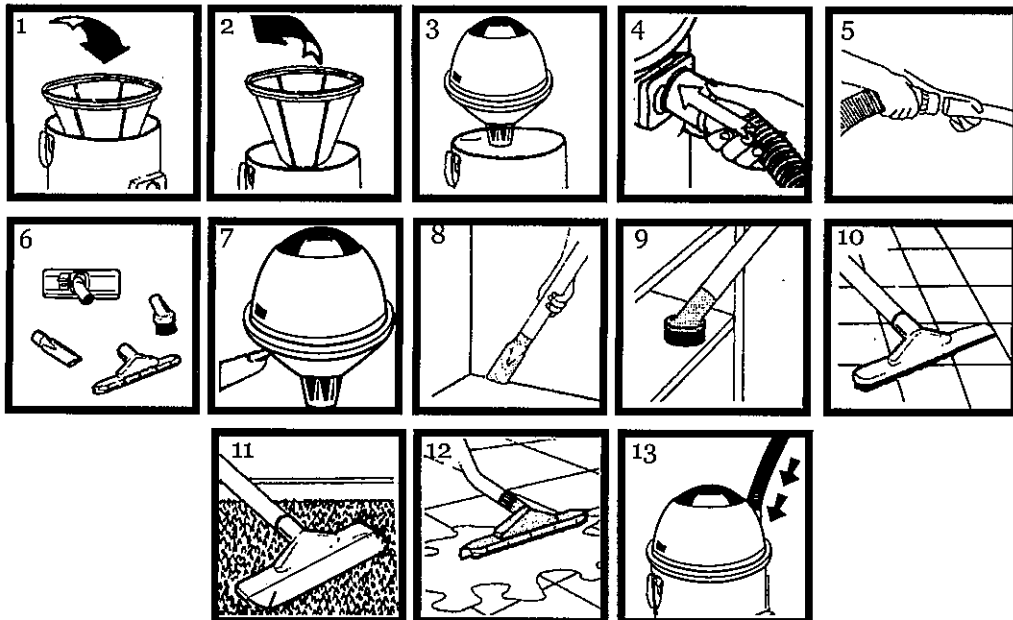
- Remove the cloth filter bag (Fig. 2).
- Assemble the head on tank and lock it by hand lock. (Fig. 3).
- Connect the flexible, hose to the suction inlet. (Fig. 4).
- Connect the wand and the extensions to the other side of flexible hose (Fig. 5).
- Connect the Squeeze Nozzle (Fig. 6).
- Connect the plug to power socket then switch on the equipment (Fig. 7).
- Example of use of squeeze Nozzle. (Fig. 12)



Air Blowing / Operating Instructions :

Emptying and cleaning the tank.

Fit the hose opening directly over the exhaust tube (Fig. 13)



**** TROUBLE SHOOTING ****

**IF A PROBLEM OCCURS ALWAYS
SWITCH OFF THE UNIT IMMEDIATELY**

• MOTORS DOES NOT OPERATE •

Check unit is plugged in correctly and switched on.

**• THE SELECTION POWER REDUCES OR
MOTOR OPERATES BUT CLEANER FAILS TO PICK UP •**

The maximum level of dust or water collection has been reached, Press the ON/OFF button, disconnect the power cord from the mains power supply and empty the water tank.

Check and clear any blockages within the system or accessory,

The filter is clean and not damaged.

• APPLIANCE HEATS •

Little warm is normal.

**** SPECIFICATIONS ****

Power supply	220~240V 50/60Hz.
Power consumption	W
Suction efficiency	26.8 %
Max vacuum	32.0 in H ₂ O
Airflow	120 Q.CFM
Dimensions	354X354X566mm
Weight	6.5-8.5 KG (including accessories)
Power Supply Cable	5.0 M
Accessories	Master nozzle (1 pc.) (For dry) Squeegee nozzle (1 pc.) (For wet) Flexible hose (1 pc.) wands (3 pcs.) Crevice nozzle (1 pc.) Ellipse brush (1 pc.)

NO RESPONSIBILITY IS ACCEPTED FOR DAMAGE RESULTING FROM IMPROPER OR NON-COMPLIANCE WITH THE INSTRUCTIONS.

... LETTER OF GUARANTEE ...
WET DRY VACUUM CLEANER

For any failure occurred under normal application in accordance with this operation instructions within this guarantee period will be repaired free of charge by our dealer according to the written content. For failure occurred from the date of purchase until the expiration of guarantee period, please bring the commodity and this letter of guarantee to your dealer for repair.

Model No.		* Date of Purchase	Guarantee Period
			ONE YEAR
Customer	Name : Address :		
Dealer	Name : Address :		

* The column marked with should be duly written, otherwise it will be void. Therefore please check if carefully.

1. Irrespective within the guarantee period, repair charges to be paid under following conditions.
 - (A) Any failure or damage caused by mishandling or conversion or improper repair.
 - (B) Any failure or damage caused by dropping, assembly of transportation after purchase.
 - (C) Any failure or damage caused by application in vehicles or on board vessels.
 - (D) Any failure or damage caused by water flood, earth quake, water damage, thunder or other force majeure, environmental disaster or abnormal voltage.
 - (E) Other conditions not mentioned in this letter of guarantee.
 - (F) In case under column of date of purchase, name of customer, name of dealer is blank or rewritten.
2. Please inform your dealer if you move to other place.
3. For gift being unable to ask the dealer for repair, please contact _____ company.
4. This letter of guarantee will not be reissued again, therefore, please keep it and don't get it lost.

- We guarantee for a free repair in accordance with the indicated conditions within the guarantee period.
- For further detailed regarding repairing after expiration of guarantee period and reserve of functional parts for repair. Please refer to operation instructions.
- If the supply cord is damaged, it must be replaced by the manufacturer or its service agent or a similarly qualified person in order to avoid a hazard.