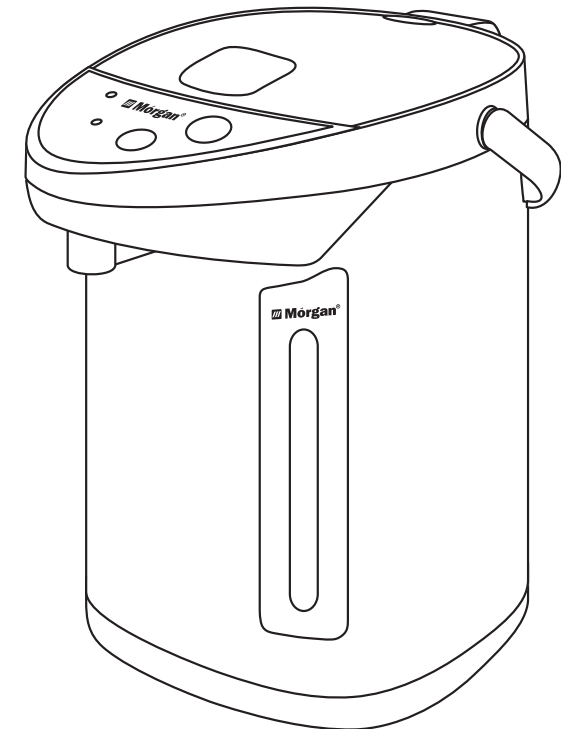


Mórgan®

USER MANUAL



Thermo Pot

MTP-263S

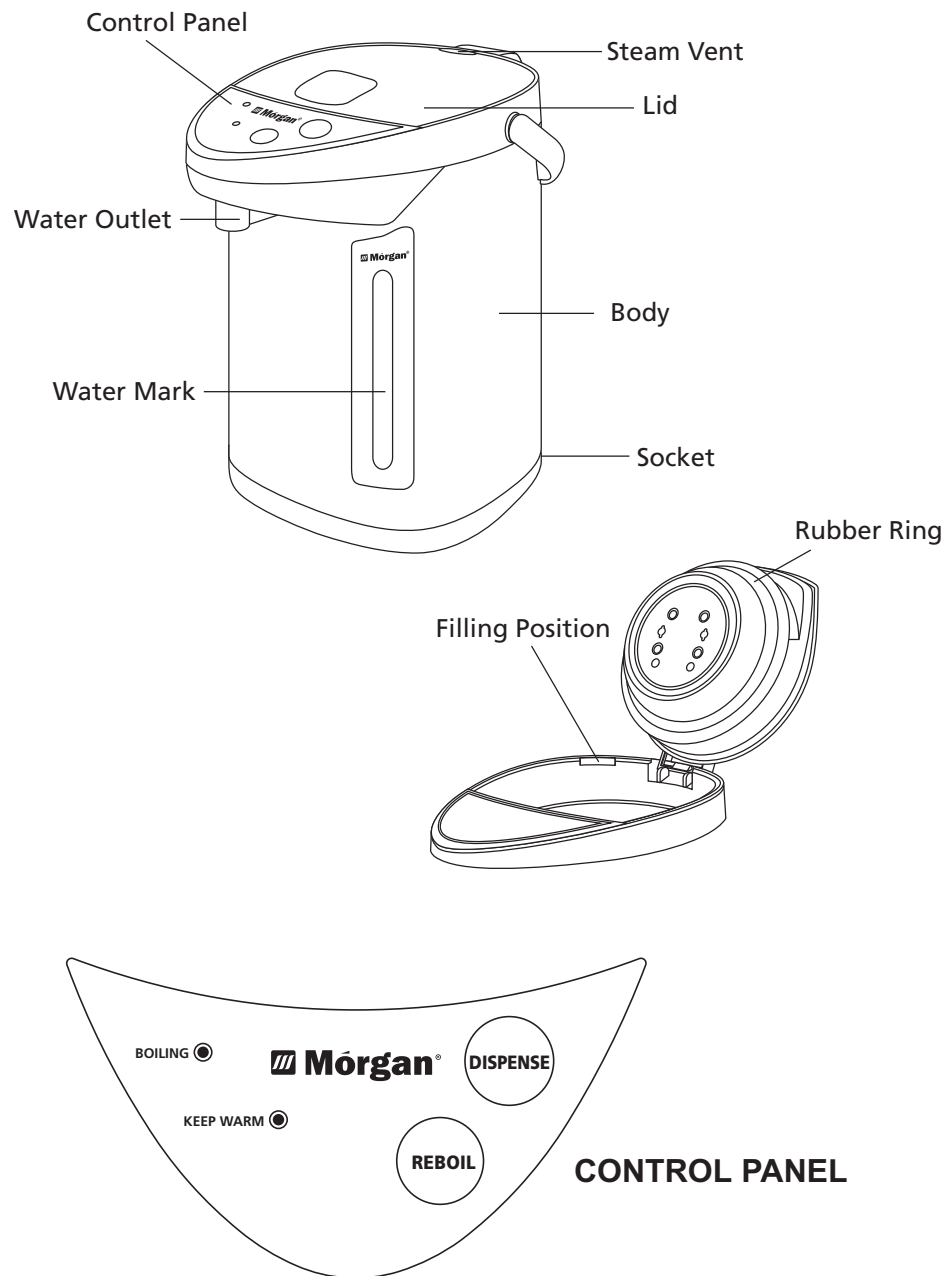
Mórgan®



E-mail: electrical.appliance@dksh.com
www.morgan.my

 [facebook.com/morganappliances](https://www.facebook.com/morganappliances)

BEFORE USING THE THERMO POT



Please read all instructions carefully before using the appliance and keep this manual for future reference.

BEFORE USING THE THERMO POT

- Before using the appliance, ensure that the power supply voltage corresponds to the voltage indicated on the rating plate at the bottom of the appliance.
- Wash and rinse water tank with clean, running water.
- Fill water up to full mark.
- Boil once and discard the water by pressing on the dispense button.

NOTE: The appliance may give out a plasticky odour when using it for the first few times. This is normal and the odour will disappear with repeated use.

USING THE THERMO POT

- Pull the lid opening lever up to open the lid and fill water into the water tank.
- Always fill water above the minimum water level mark and below the maximum water level mark (refer to the water level mark inside the water tank).
- Connect the power plug to the power supply and switch power on. The BOIL light will illuminate, indicating that it is functioning and ready for boiling water.
- Water starts boiling. When boiling completes, the KEEP WARM light will illuminate to keep water warm automatically.
- Press DISPENSE button to dispense hot water.
- Press REBOIL button to reboil water that is being kept warm. Ensure that the BOIL light is lit. If not, press again.
- Refill water before it falls below the Minimum water supply level. Otherwise, hot water might splash out while dispensing.
- Unplug when there is no water inside the thermos pot or when not in use.

BOILING DURATION:

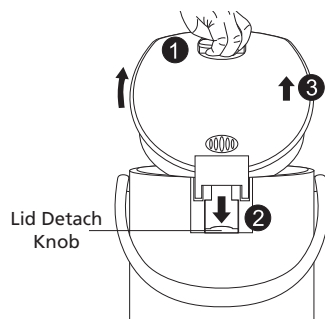
Approx. 25 min. (Amount of water: Maximum, Water/Room temp.: 20°C. Time differs according to climate and regions)

OVERHEATING PROTECTION:

1. When the water boils dry, the thermo pot will automatically cut off the power to prevent accidents.
2. The auto CUT-OFF function will also operate when:
 - The power is switched on, but no water is inside the water tank.
 - Water level is below the MIN water level mark.

OPENING / REMOVING THE LID:

- To open the lid - Press the depression in the lid opening lever and lift the lid.
- To remove the lid - open the lid to the approximate 45° position. Pull the lid towards the spout while pushing the Lid Detach Knob and lift the lid.



SPECIFICATION

RATED VOLTAGE / FREQUENCY	220-240V~ 50/60Hz
RATED WATTAGE	1200-1428 W
CAPACITY	6.0 L

TO PREVENT BURNS AND INJURY:

1. DO NOT place on unstable surfaces.
2. DO NOT cover the appliance with a cloth, etc., as hot water may seep out by itself, causing the lid to be deformed.
3. DO NOT fill and boil anything except water.
4. DO NOT fill water above the Maximum Water supply level as hot water may seep out by itself.
5. DO NOT open the lid, dispense hot water, move the appliance during or just after boiling.
6. DO NOT touch the Steam Vent while boiling.
7. DO NOT carry the appliance by the lid.
8. DO NOT wind the power cord around the appliance.
9. DO NOT slam the lid, or close it negligently. Hot water may seep out by itself.
10. DO NOT tilt the appliance, nor let it fall over.
11. Just after boiled or reboil, the pump may be full with steam. Press the DISPENSE button a few times if it is difficult to dispense hot water just after boiling.
12. A noise created by exiting steam may be heard when dispensing. This is normal. After the steam has completely exited, the hot water will easier to dispense.
13. To avoid noise when pressing the DISPENSE button, use the AIR PRESSURE function or wait for a few minutes for the steam to exit automatically.

CAUTION

1. DO NOT place near open flames.
2. DO NOT use the appliance without sufficient space around it, as exiting steam may damage the wall etc.
3. DO NOT leave the water for long durations inside the Inner Pot.

WARNING

TO PREVENT ELECTRICAL SHOCK OR FIRE:

1. DO NOT disassemble/modify the parts, or repair the appliance by yourself.
2. DO NOT use when the power plug cord is damaged or when the power plug does not fit the socket securely.
3. DO NOT bend, or yank on the power cord forcibly to prevent damaging it.
4. DO NOT allow any obstacles such as dust to stick onto the body plug and the power plug.
5. DO NOT plug into a power socket where several other appliances are plugged in. The Ampere must not exceed the socket's limit.
6. DO NOT place the appliance on any non-heat-resistant surface.
7. DO NOT immerse the appliance in water, or splash water over the appliance.
8. DO NOT overfill the inner pot.
9. DO NOT pour in icy cold water as it causes condensation.
10. DO NOT pull on power cord to disconnect. Instead, grip plug and remove from power supply.
11. DO NOT leave the power plug connected to the power supply when not in use.

SERVICE & IMPORTANT NOTICE

- If the power cord is damaged, it must be replaced by an original recommended power cord available from the manufacturer or its service agent.
- **WARNING:** This appliance is not intended for use by persons (including children) with reduce physical, sensory or mental capabilities, or lack of experience knowledge, unless they have been given supervision or instruction concerning use of the appliance by a person responsible for their safety.

CARE AND CLEANING

- To clean the appliance after using, unplug power cord from power supply. Remove the lid and discard any remaining hot water, then clean when the appliance has cooled down completely. DO NOT use detergent to clean the Inner Pot and the lid. The smell will remain.
- DO NOT immerse or soak parts in water. The electronic components in the appliance will be damaged.
- DO NOT use caustic cleansers like benzene, paint thinner, or the like.
- Use citric acid to remove scales and discoloration inside the inner pot.
- DO NOT use scouring powder or hard brush as it may damage the finishing of the inner pot.
- Rubber gaskets of inner lid needs to be replaced once yearly. For best results, use only original gaskets recommended by the manufacturer.

ELECTRIC PUMP AIRPORT USAGE TIP

1. When unpacking, there may have some malodour inside inner pot due to the close packing. To remove the odour, fill water to FULL mark and put two slices of lemon into it, boil twice or thrice to lighten the odour.
2. When unpacking, there maybe have some residual water inside the inner pot and / or in the water level gauge. These are steam frost and it is normal.
3. If being used for a long time, the inner pot may be scaled, or the deposited impurity of water may cause some yellow spots at the bottom. If the above method does not work, you could use citric acid or commercial scale-cleanser for the electric pump airport instead of lemon.
4. Always top up water in time to avoid empty-boiling, or the inner pot will become yellow and non-durable.