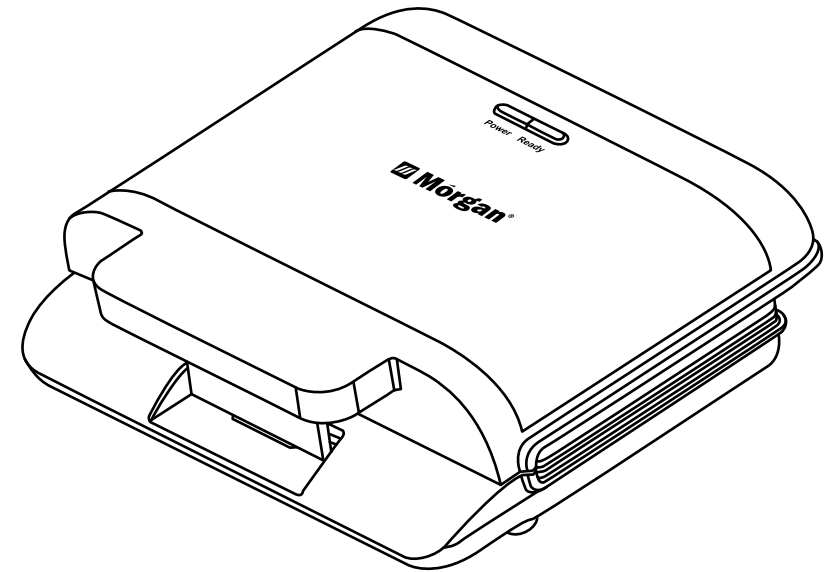


 **Mórgan®**

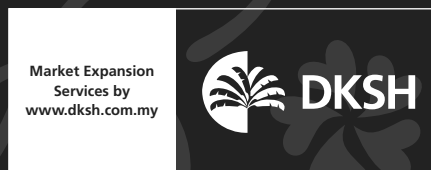
USER MANUAL



Sandwich Maker

MSM-SC150NS

 **Mórgan®**



E-mail: electrical.appliance@dksh.com
www.morgan.my

 facebook.com/morganappliances

C O N T E N T S

3 Important Safeguards

4 Parts Identification

4 Specifications

5 Before First Use

5 Operation Instructions

6 Care & Cleaning

Thank you for purchasing a quality MORGAN appliance. We trust that you will have a pleasant experience with your new product. To guarantee safety and best efficiency, please read this manual carefully and keep a copy for future reference.

IMPORTANT SAFEGUARDS

When using electric appliances, basic safety precautions should always be adhered to, including the following:

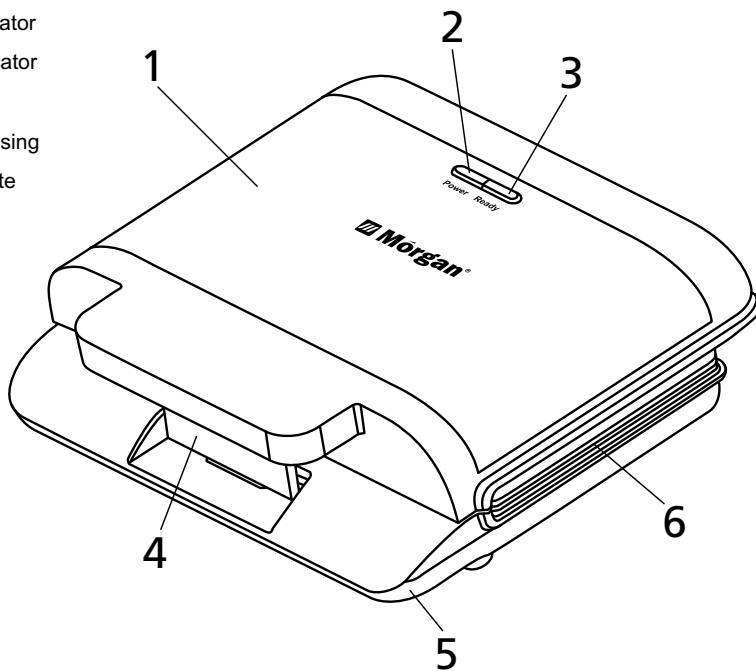
- Read all instructions carefully and retain them for future reference.
- Before connecting to the power supply, ensure that the unit is earthed and its voltage corresponds to the voltage indicated on the power supply rating label.
- This appliance is intended for household use only and connected to an AC 220-240V power supply.
- The appliance must always be positioned horizontally during use.
- Children should be supervised to ensure that they do not play with the appliance.
- **CAUTION:** Do not touch hot surfaces. Use handle or knobs.
- To protect against the risk of electric shock, do not immerse power cord, power plug or unit in water or any other liquids.
- Close supervision is necessary when any appliance is used by or near children.
- Unplug from power supply when not in use and before cleaning. Allow to cool completely before assembling/disassembling parts, and before cleaning appliance.
- Do not operate any appliance with a damaged power cord, or when appliance has malfunctioned or damaged in any manner. To avoid the risk of an electric shock, never modify / repair the appliance yourself. Contact an authorized service personnel examination and repair.
- The use of accessory attachments not recommended by the manufacturer may result in fire, electrical shock, or risk of injury to persons.
- This appliance is not intended for outdoor or commercial use.
- Do not allow power cord to hang over the edge of the table or counter, or touch hot surfaces.
- Do not place on or near a hot gas or electric burner or heated oven.
- Disconnect appliance from the power supply after every use.
- Exercise extreme caution when moving an appliance containing hot oil or other hot liquids.
- This appliance can be used by children aged from 8 years and above and persons with reduced physical, sensory or mental capabilities or lack of experience and knowledge if they have been given supervision or instruction concerning use of the appliance in a safe way and understand the hazards involved.
- Children should be prohibited from playing with the appliance. Do not allow children to perform cleaning and user maintenance service unless they are older than 8 and supervised.
- Keep the appliance and its power cord out of the reach of children under 8 years of age.
- The temperature of accessible surfaces may be high when the appliance is operating.

IMPORTANT SAFEGUARDS

- The appliances are not intended to be operated by means of an external timer or separate remote-control system.
- **CAUTION HOT SURFACE!** The temperature of accessible surfaces may be high when the appliance is operating.
- If the power cord is damaged, it must be replaced by the manufacturer, its service agent or similarly qualified persons in order to avoid a hazard.

PARTS IDENTIFICATION

1. Upper Housing
2. Power Indicator
3. Ready Indicator
4. Lock
5. Bottom Housing
6. Heating Plate



SPECIFICATIONS

Model	MSM-SC150NS
Rated Voltage / Frequency	220-240V~ 50-60Hz
Rated Wattage	750W

BEFORE FIRST USE

- Before using the appliance for the first time, detach any promotional materials and stickers.
- Ensure that the cooking plates are clean and free of dust.
- If necessary, wipe over with a damp cloth.
- For best results, pour a teaspoon of vegetable oil on to the non-stick plates. Spread over with an absorbent kitchen towel and wipe off any excess oil.

DURING FIRST USE

- When heated for the first time, the appliance may emit a slight smoke or odor. This is normal with many heating appliances and does not affect the safety of your appliance.

OPERATION INSTRUCTIONS

- Connect the appliance to an appropriate power supply.
- Both the red and green lights will illuminate simultaneously, indicating toasting surfaces are heating up.
- The appliance must be heated up before grilling.
- In the meantime, prepare your food.
- As soon as the appliance has heated up, the green light will stop illuminating.
- Open the appliance at the catch and insert food to begin grilling.
- Close the appliance, ensuring that the catch is engaged and secure.
- **CAUTION:** It will not be possible to close the appliance if food contains too much filling. Remove some filling and try again. Never use force to close the appliance.
- During toasting the temperature regulating thermostat switches off and on again. The control light will also power off and on repeatedly.
- After grilling is completed (approx. 3-4 minutes) open the catch and remove the foods.
- Use a wooden or plastic spatula. Never use sharp or metal object (e. g. knives, metal spatulas, etc.) as this will damage the Teflon coating.
- To grill more food, close the appliance again and wait until the toasting surfaces have reheated sufficiently.
- When the control light illuminates again you can repeat the toasting process as described above.
- After grilling completes, disconnect the power plug from the power supply. Open the heating plates to allow them to cool down.

CARE & CLEANING

- Always disconnect the power plug from the power supply after and before cleaning.
- The heating plates are coated with non-stick Teflon coating, therefore little cleaning is required.
- Do not immerse the appliance in water or any other liquids.
- Do not use liquid or powder detergent or oven cleaners on the heating plates. To clean handles and other parts, use a damp cloth with mild soap and towel
- Do not place into the dishwasher.

STORAGE

- Always disconnect the power plug from the power supply before storage.
- Ensure the appliance is clean, cool and dry before storage.



ENVIRONMENT-FRIENDLY DISPOSAL

- Meaning of crossed – out wheeled dustbin:
- Do not dispose of electrical appliances as unsorted municipal waste, use separate collection facilities.
- Contact your local government for information regarding the collection systems available.
- If electrical appliances are disposed of in landfills or dumps, hazardous substances can leak into the groundwater and get into the food chain, damaging your health and well-being.
- When replacing old appliances with new ones, the retailer is legally obligated to take back your old appliance for disposals at least free of charge.