

 **Mórgan<sup>®</sup>**

 **Mórgan<sup>®</sup>**

Market Expansion  
Services by  
[www.dksh.com.my](http://www.dksh.com.my)

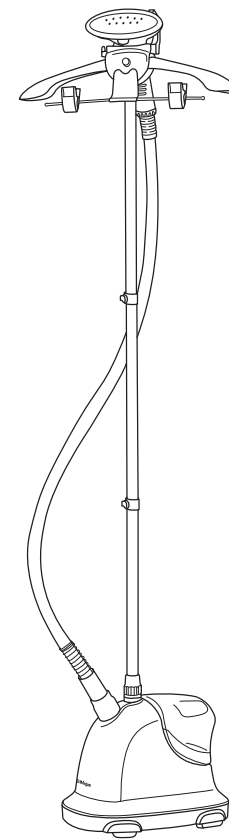


**DKSH**

E-mail: [electrical.appliance@dksh.com](mailto:electrical.appliance@dksh.com)  
[www.morgan.my](http://www.morgan.my)

 [facebook.com/morganappliances](https://facebook.com/morganappliances)

## USER MANUAL



# Garment Steamer

**MSI-GB206**

# C O N T E N T S

**3-4** General safety instructions

**4** Specifications

**5** Parts Identification

**6** Assembly Instructions

**6** Operating instructions

**7** Cleaning and Maintenance

**7** Troubleshooting

**Thank you for purchasing a quality MORGAN appliance. We trust that you will have a pleasant experience with your new product. To guarantee safety and best efficiency, please read this manual carefully and keep a copy for future reference.**

## GENERAL SAFETY INSTRUCTIONS

### IMPORTANT!

- Read these instructions carefully before using the appliance and save them for future reference.
- This appliance complies with international safety standards

**To reduce the risk of personal injury or damage to property, basic safety precautions must be observed including the following:**

1. Before using for the first time, ensure that the voltage specified on the rating label corresponds to your home's power voltage. This appliance must be connected to an earthed socket.
2. If it is necessary to use an extension cable, ensure that it is suitable for 10amp or more and has a socket with an earth connection.
3. This appliance must only be used for the purposes it was designed for. Any other use will be considered as improper and consequently dangerous. The manufacturer will not be held responsible for any damage arising from misuse or improper use.
4. Turn off the appliance and unplug from the power supply when not in use and before assembling or disassembling parts, and before cleaning. Remove by grasping the plug; do not pull on the cord.
5. Do not leave the appliance exposed to weather conditions (rain, sun, frost etc.)
6. Do not leave the appliance unattended while it is plugged in.
7. Keep the appliance out of children's reach.
8. This appliance is not intended to be used by persons (including children) with reduced physical, sensory or mental capacities, or lack of experience and knowledge, unless they have been given supervision or instruction concerning use of the appliance by a person responsible for their safety.
9. Children should be supervised to ensure that they do not play with the appliance.
10. Remove the plug from the socket before filling the appliance with water or before pouring out the remaining water after use.
11. Never immerse the appliance in water or any other fluid.
12. The appliance must never be placed under the running water to fill with water.
13. Never put any aromatic oils or perfumes, chemicals, alcohol or detergent products, vinegar or other descaling agents into the water tank.
14. It is recommended to use distilled or pure water in the water tank.

## GENERAL SAFETY INSTRUCTIONS

15. In the event of any malfunction, do not attempt to repair any part of the appliance on you own.
16. If the supply cord is damaged, it must be replaced by the manufacturer or its service agent or a similarly qualified person to avoid a hazard.
17. Do not allow the power cord to hang over the edge of a table, bench top or contact with hot surfaces.
18. Do not direct the handle at other persons or towards yourself, while using the "steam" function.
19. The appliance must be used and placed on a stable surface.
20. The appliance should not to be used if it has been dropped, if there are visible signs of damage or if it is leaking water. It must be checked by an authorized Technical Service Centre before it can be used again.
21. The use of attachments or accessories not included with the appliance is strictly not recommended as they may be hazardous to person(s) or property.

**CAUTION: The steam hose can get very hot when used!!**

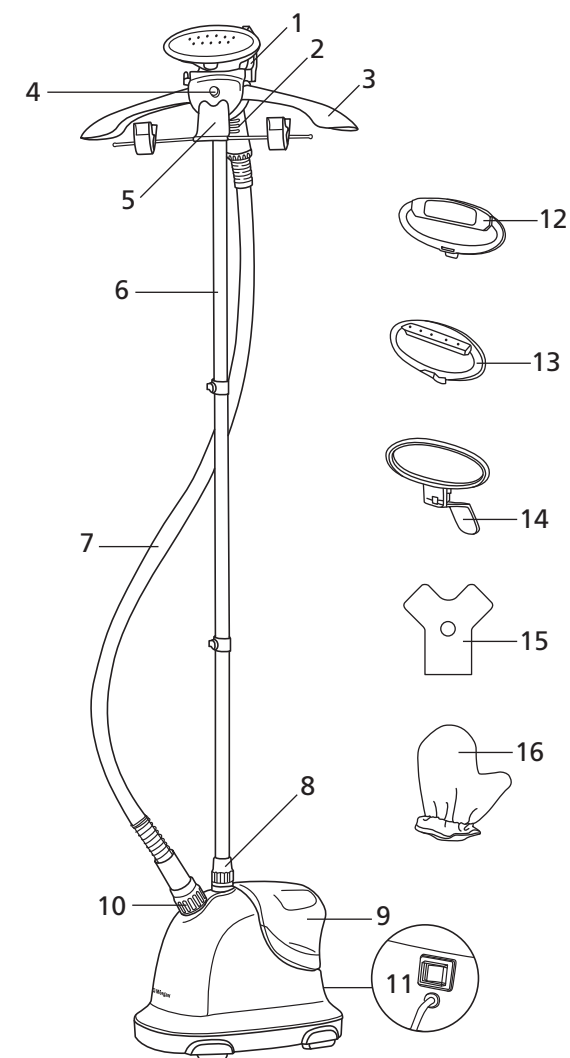
**This appliance has been designed exclusively for domestic use and must not be used for professional purposes.**

## SPECIFICATIONS

MODEL	MSI-GB206
RATED VOLTAGE / FREQUENCY	220-240V~ 50/60Hz
RATED WATTAGE	1350-1650W

## PARTS IDENTIFICATION

1. Handle Hook
2. Handle
3. Clothes rack
4. Clothes rack button
5. Pants clamp
6. Telescopic pole
7. Flexible fabric hose
8. Pole Connector
9. Water Tank
10. Hose connector
11. Power switch
12. Lint pad
13. Fabric brush
14. Trousers line clamp
15. Co-worker
16. Insulation glove



## ASSEMBLY INSTRUCTIONS

1. Carefully remove all contents from the packaging and ensure all components and parts are in good order.
2. Insert pole onto the top of unit. Match the grooves on the pole with the notches in the pole connector and push down. Securely screw the cap on the pole over the connector by turning it clockwise
3. To attach the clothes rack, align tabs in clothes rack with grooves on pole and push down.
4. Fully extend the telescopic pole by opening the 3 clips on the pole and pulling the pole upwards. When fully extended close the clips. Ensure that the pole is securely locked into place and cannot be pushed downwards.
5. Insert and turn on the hose connector until it is locked. You may hang the steamer handle on the Handle Hook

**NOTE: Do not hang the hose on the hanger attachment until after it has been connected on the base to prevent the hose from falling.**

## OPERATING INSTRUCTIONS

1. Remove the water tank from the unit by grasping the handle and turning it upside down. Unscrew the cap from the bottom of the water tank. Position and hold the water tank under cold running water and fill to the desired level. After filling, screw the cap back on and turn over. Place water tank back into unit and make sure it is properly and securely positioned in the cavity.

**NOTE: Only fill the water tank with cold water, DO NOT use hot water.**

2. Insert the power plug into the power supply.
3. Press the power switch, and the light will illuminate. Steam will emit in 40-45 seconds.
4. When finished with garment steaming, press the power switch to power off the appliance and remove the power plug from the power supply.

## CLEANING AND MAINTENANCE

1. Make sure the appliance has cooled down completely. Unplug the unit from the power supply and remove the steam hose from the main unit. Collapse the telescopic pole.
2. Fill the water tank with fresh water and attach it to the main unit again, allowing water to fill the boiler.
3. Remove the water tank from main unit and empty the water from the boiler through the open hose connector into a sink. Scale to remove and rinse away residues.
4. Repeat Steps 2 and 3 several times until scale has been removed.

## TROUBLESHOOTING

PROBLEM	POSSIBLE CAUSE	SOLUTION
Steamer fails to heat	Steamer not plugged into power supply	Plug into a power supply
	The appliance is not connected to the power supply	Press the power switch
No steam	Water level is low	Power off the appliance and refill the water tank
Steam is intermittent	Sediment build-up in container	Clean the appliance
Water drips from nozzle	Condensation inside hose	Hold the hose vertically and allow water to drain back into tank
Nozzle gurgles	Condensation inside hose	Hold the hose vertically and allow water to drain back into tank