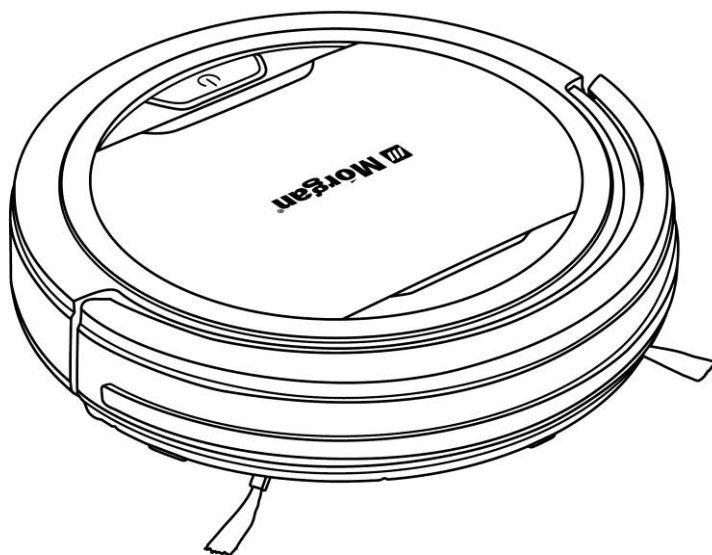


 **Mórgan®**

## USER MANUAL



# Robot Vacuum Cleaner

MRV-VAC 1

# C O N T E N T S

2

Parts Identification

3

Specifications

3 - 4

Safety Precautions

5 - 7

Operating Instructions

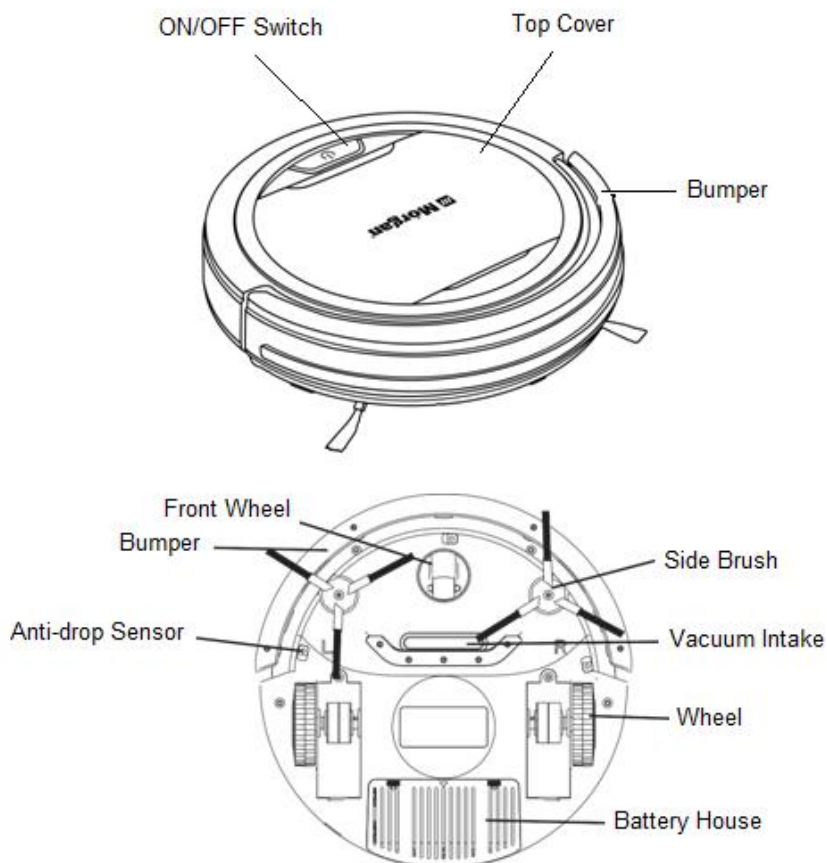
5 - 7

Care & Cleaning

11

Trouble Shooting

# PARTS IDENTIFICATION



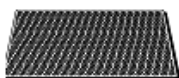
## Accessories



Filter x1



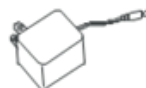
Side brush x 4



Cleaning pad x 1



Rechargeable battery x 1



Adapter x1

# SPECIFICATIONS

Rated Input:	100-240V~, 50/60Hz 0.5A Max (for switching adapter)
Rated Output:	19VDC, 600mA (for robot vacuum cleaner)
Battery:	13V 1500mAh
Maximum working time:	85-95 minutes
Charging Time:	4 hours

# SAFETY PRECAUTIONS

When using the appliance, especially when children are present, basic safety precautions should always be followed including the following:

1. Read all instructions carefully before using the appliance.
2. Check the voltage range given on the appliance rating label is corresponds with your main power supply voltage.
3. This appliance is suitable for normal household use only and not for commercial use.
4. Always place appliance on a flat sturdy surface.
5. Do not operate the appliance with a damaged cord or plug or after the appliance malfunctions or has been dropped or damaged. Return the appliance for examination, adjustments, or repair.
6. The use of attachments not recommended may cause fire, electrical shock, or risk of injury.
7. Unplug the unit when not in use and whenever you clean or move the unit.
8. To disconnect the appliance, set control to OFF, grip plug and pull from wall outlet. Never yank on cord.

# SAFETY PRECAUTIONS

9. This appliance is not intended for use by persons (including children) with reduced physical, sensory or mental capabilities, or lack of experience and knowledge, unless they have been given supervision or instruction concerning use of the appliances by a person responsible for their safety.
10. Only authorized service personnel should undertake repairs on electrical appliances. Faulty, unqualified repair work may cause accidents or injury to the user.
11. If the supply cord is damaged, have it replaced by the manufacturer or its service agent or a similarly qualified person in order to avoid a hazard.

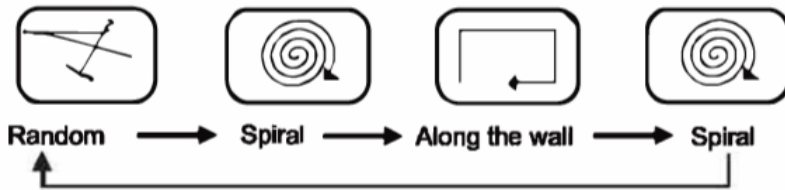
## **Battery and Recharging instructions**

1. The battery is rechargeable, please use the voltage and current specified on the packing. If you are not sure of the voltage and current of your house, please contact the seller or local power company or a licensed electrician. (Only use battery pack which provided by manufacturer or specified by manufacturer, please check the polarity before installing the battery. Battery voltage: 13V, working current: 1500mAh)
2. Only use the original battery and power adapter of the product for charging.
3. Charging adaptor is for indoors use only.
4. Do not recharge the product if the battery cord or plug is damaged.
5. Never touch the charger, plug or cable with damp hands.
6. Before cleaning the product, unplug the adaptor, switch off the unit and take out the battery.
7. Please take out the battery when it is not in use for a long time.
8. The battery must be removed from the product before it is scrapped.
9. The product must be disconnected from the power source when removing the battery. The battery is to be disposed of safely.

# OPERATING INSTRUCTIONS

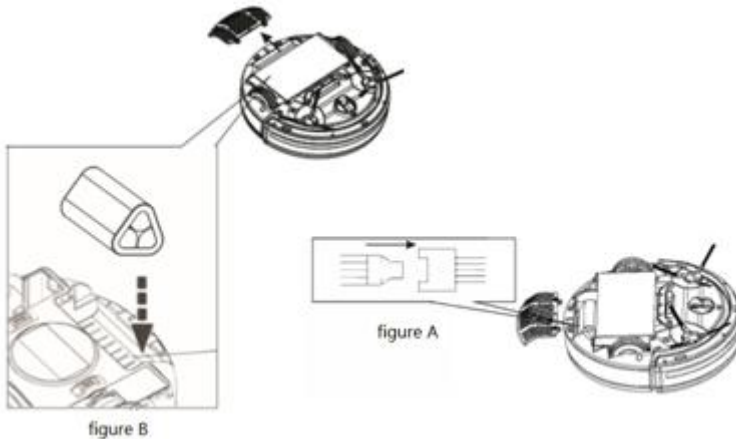
## PRODUCT FEATURES

Thanks for purchasing the MRV-VAC 1 Robot Vacuum Cleaner!  
This revolutionary Robot Vacuum Cleaner is equipped with functions suitable for cleaning up floor surfaces of home and office, such as wood, tile, and linoleum. The MRV-VAC 1 Robot Vacuum Cleaner is definitely a good household helper.



## Battery Installation

1. Before installing or removing the battery, the product must be disconnected from the power source.
2. Open the battery cover, connect the end of the battery to the interface as shown in figure A.
3. Insert the battery into the battery cabinet (figure B) and close the cover. Make sure the cover clips well located in its position.



# OPERATING INSTRUCTIONS

## Battery Removal

- Open the battery cover, disconnect the end of the battery to the interface.
- Recommended to remove the battery if won't be using for an extended period.

## Recharging Battery

1. Before charging, make sure the battery is correctly installed.
2. The procedure of charging the product is as follows: firstly, connect the adapter output into the DC jack, and then plug into power socket of the other end, then blue light will flash.
3. After fully charged, the indicator light will turn to solid blue light.
4. When the product runs out of power, LED indicator will turn red, which prompts the user to charge the product.
5. To ensure the best performance and life span of the battery, please charge the product for 3- 4 hours continuously. After fully charged, indicator light will turn to solid blue light. The product can be used to do cleaning work after 3-4 hours charging.



Adapter Plug



Adapter Plug outlet

# OPERATING INSTRUCTIONS

## Side Brush installation

1. Install the L side brush at L place and R side brush at R place on the bottom and push to fix it.
2. To pull up the side brush for remove it from the unit.

## Cleaning pad installation

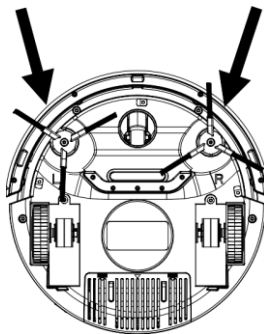
1. To install the cleaning pad, push down the cleaning pad on cleaning head until snaps into place.
2. It may used for dry mopping or wet mopping.

## Starting Operation

1. Place the product in free space, and switch on to do cleaning.
2. When the product runs out of power, the LED indicator in the illumination ring will turn red, and the product will stop working.

### Note:

- \* This product is not suitable for long-pile carpets.

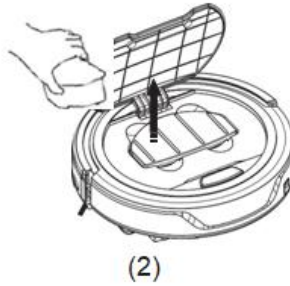
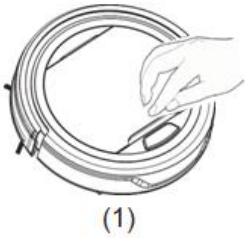




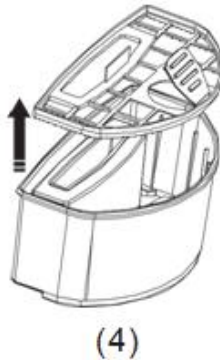
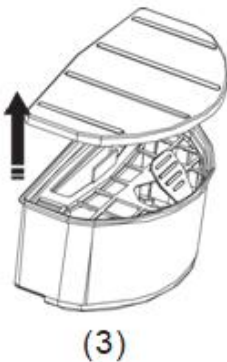
# CARE AND CLEANING

## Cleaning Dust Bin

1. Open the upper cover by lifting the lid near the power on/off button.
2. Place your finger into the dust bin groove and grip to take it out.



3. Open the lid of dust bin.
4. Take out the inner filter
5. Empty the dirt in the dust bin.



# CARE AND CLEANING

1. Rinse the dust bin with tap water. Do not wash it in washing machine, dish-washing machine or other machine.
2. Periodically clean the filter with a soft bristle brush.
3. Reinstall the filter and the dust bin lid once they get dried.
4. Put back the dust bin into the cleaner.

## NOTE:

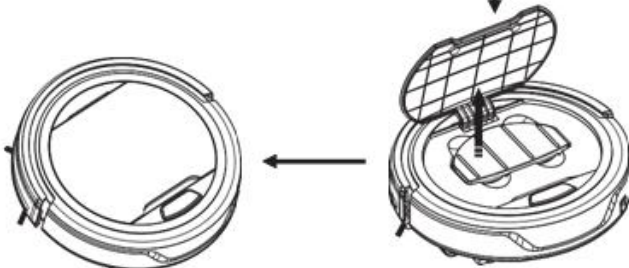
Before put back the dust bin, please make sure the PE pad (function as non-return valve) in the dust bin is well located. Recheck the filter also before operate the product. If operate the product without filter, it might cause malfunction.



(6)



(7)



(8)



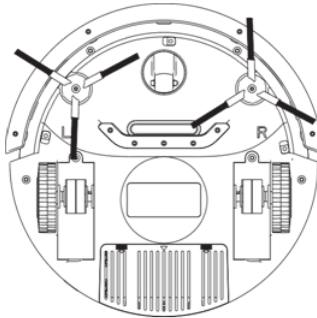
(9)

# CARE AND CLEANING

## Cleaning intake

After repeated use for some time, dirt and dust might accumulate around the intake of the product, to ensure its best cleaning efficiency and constant airflow it should be cleaned periodically.

1. Remove the external power source.
2. Clean up the dirt and dust at the intake.



(10)

## Caring for washable Cleaning pad

1. Pull the cleaning pad to remove it from the robot vacuum cleaner.
2. Tear off the cloth and hand washing is recommended.

# TROUBLE SHOOTING

	Problem	Possible Cause	Solution
1	Red LED stays after power on	1. Battery Low condition 2. Main body is picked up	1. Recharge the battery 2. Re-place the robot on the floor
2	Vacuum on but can not collect dirt and hair	1. The dust bin is full 2. The filter is not installed correctly	1. Clean the dust bin 2. Re-install the filter correctly
3	The product is moving backwards after being started	1. The product is on dark color floor 2. Anti-drop sensor light was covered	1. Put the robot on light color floor. 2. Clean anti-drop sensor light.
4	LED indicators flash in blue after 4hrs charging	Power supply might been cut off during charging	The robot can be operated if the battery has been fully charged for 4hrs
5	The side brushes crooked, not good to sweep	Being used for a long time	If it becomes crooked, please scald it in hot water to recover it to its original shape
6	The product cannot start	1. Battery is not installed properly 2. Battery low 3. The robot is under protection status	1. To install the battery correctly 2. To have the battery fully charged (turn off the cleaner first) 3. To re-set the robot
7	The product circles around only, cannot go straight	One of the wires of the wheels might be loosened	1. Open the wheel cover and connect the loosen wire properly 2. Send the robot to seller for repairing

**\*If all solutions given above don't work for you, please take actions below:**

- 1) Re-set the robot by switching on the power button;
- 2) If re-set action doesn't work, please send the robot to seller for repairing.

**Note: Particular specifications are subjected to change without prior notice.**

 **Mórgan®**

Market Expansion  
Services by  
[www.dksh.com](http://www.dksh.com)



**DKSH**

E-mail: [electrical.appliance@dksh.com](mailto:electrical.appliance@dksh.com)  
[www.morgan.my](http://www.morgan.my)