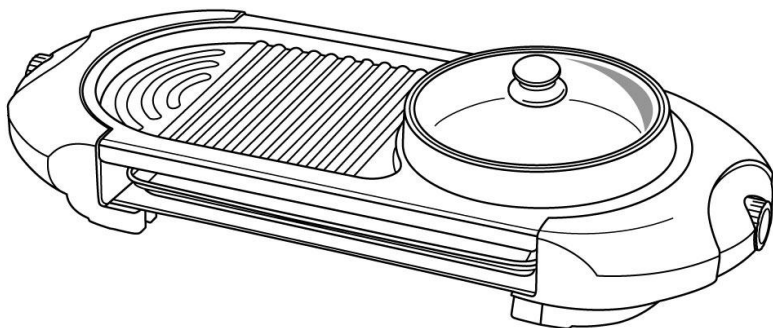


 **Mórgan<sup>®</sup>**

## USER MANUAL



**Pan Grill**

**MPG-DA898NS**

# C O N T E N T S

**1** Parts Identification

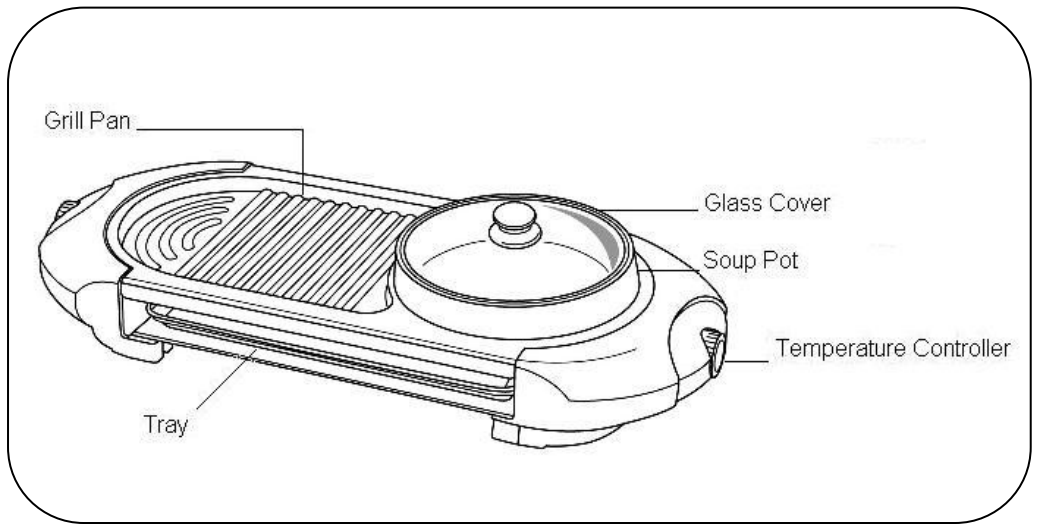
**1** Specifications

**2** Safety Precautions

**3** Operating Instructions

**4** Care and Cleaning

# PARTS IDENTIFICATION



# SPECIFICATIONS

<b>RATED VOLTAGE</b>	<b>220-240V~</b>
<b>RATED POWER</b>	<b>1500-1800W</b>
<b>FREQUENCY</b>	<b>50Hz</b>

# SAFETY PRECAUTIONS

When using this appliance, especially when children are present, basic safety precautions should always be followed including the following:

1. Read all instructions carefully before use and keep them for future reference.
2. Ensure that the voltage range shown on the appliance rating label corresponds to the main power supply's voltage.
3. This appliance is suitable for normal household use only and not for commercial use.
4. Use the appliance only on a level working surface.
5. Do not operate the appliance with a damaged power cord or power plug. Return the appliance for examination, adjustments, or repair.
6. The use of attachments not recommended by the manufacturer may cause fire, electrical shock, or injury.
7. Unplug the unit when not in use and whenever you clean or move the unit.
8. To disconnect the appliance, set control to OFF (0), grip power plug and pull from power outlet. Never yank on power cord.
9. Only authorized service personnel should be allowed to undertake repairs on electrical appliances. Repairs undertaken by unauthorized persons may result in damage to the appliance and/or accidents or injury to the user.
10. If the power supply cord is damaged, have it replaced by the manufacturer or its service agent or a similarly qualified person in order to avoid a hazard.
11. This appliance should not be used by the physically and mentally challenged or those with slow response (including children) unless sufficient supervision is provided during operation.

# OPERATING INSTRUCTIONS

- Before using for the first time, wash the base and plate with lukewarm water. Dry thoroughly.
- Insert the temperature controller into the Inlet Socket, and then switch it on.
- You may adjust the desired temperature while cooking.
- When the indicator light is switched on, it is warming up automatically. When Indication light is switched off, it means your desired temperature has already been achieved.
- Before frying, it is recommended to adjust the temperature to that desired or to the maximum. You may start frying after 5 minutes when optimal temperature has been achieved.
- When mixing food, it is recommended to adjust the temperature to the maximum, it takes 15 ~ 18 minutes to reach boiling temperature. To expedite the boiling process, add boiling water or soup.
- After cooking, ensure the Temperature Controller is in "OFF" position. Only then should you remove the power plug from the power supply.

## **CAUTION:**

- Do not scratch the grill surface. Use non-metallic cleaning implements only.
- Do not touch hot surfaces. Use oven mitts to remove grill plate while the appliance is hot. Always place appliance on a heat resistant surface.
- Be extremely careful when removing the grill plate containing hot liquids or oil.
- Do not operate this appliance without the drip pan in place.

# CARE AND CLEANING

- Always disconnect the appliance from the power supply before cleaning.
- Always allow your appliance to cool completely before cleaning.
- Never immerse the appliance completely in water or any other liquids.
- Wash plate and base with lukewarm water and dry thoroughly.
- Don't wash or immerse the body, inner pot and other internal components into water or other liquids.
- The pot and cover can be disassembled for soaking or washing. **CAUTION:** Never use metal cleaning implements to clean the unit. Use only soft cleaning sponges.

 **Mórgan®**

Market Expansion  
Services by  
[www.dksh.com.my](http://www.dksh.com.my)



**DKSH**

E-mail: [electrical.appliance@dksh.com](mailto:electrical.appliance@dksh.com)