


# **Mórgan®**

## USER MANUAL



# **Mórgan®**

Market Expansion  
Services by  
[www.dksh.com.my](http://www.dksh.com.my)



**DKSH**

E-mail: [electrical.appliance@dksh.com](mailto:electrical.appliance@dksh.com)  
[www.morgan.my](http://www.morgan.my)

 [facebook.com/morganappliances](https://facebook.com/morganappliances)

# Pressure Cooker

**MPC-136A**

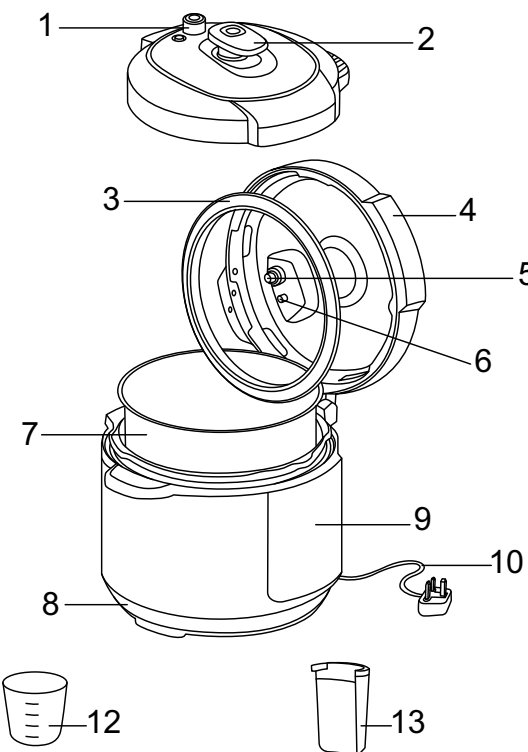
# C O N T E N T S

<b>3</b>	PARTS IDENTIFICATION
<b>3</b>	SPECIFICATIONS
<b>4</b>	INTRODUCTION TO THE PRESSURE COOKER
<b>4</b>	IMPORTANT SAFEGUARDS
<b>6</b>	ABOUT THE INNER POT
<b>6</b>	BEFORE FIRST USE
<b>7</b>	USING THE PRESSURE COOKER
<b>8</b>	OPERATING INSTRUCTIONS
<b>10</b>	CARE & CLEANING
<b>11</b>	TROUBLE SHOOTING

Thank you for purchasing a quality MORGAN appliance. We trust that you will have a pleasant experience with your new product. To guarantee safety and best efficiency, please read this manual carefully and keep a copy for future reference.

## PARTS IDENTIFICATION

1. Exhaust Valve
2. Open Handle
3. Seal Ring
4. Lid
5. Float
6. Anti-blocking Cover
7. Aluminum Alloy Coated Non-stick Inner Pot
8. Base
9. Control Panel
10. Power Cord
11. Rice spoon
12. Measuring cup
13. Dew collector



## SPECIFICATIONS

<b>MODEL</b>	<b>MPC-136A</b>
<b>RATED VOLTAGE / FREQUENCY</b>	<b>220-240V~ 50/60Hz</b>
<b>RATED WATTAGE</b>	<b>1000W</b>
<b>CAPACITY</b>	<b>6.0L</b>

## INTRODUCTION TO THE PRESSURE COOKER

The pressure cooker is an all-purpose cooking unit that cooks food without the need for oxygen. Foods cooked in a pressure cooker will retain color, flavor, vitamins and minerals because of the small amount of liquid used and the quick cooking time. No salt nor additional fats or oils are needed. The cooking process is fully automated. Depending on the chosen program, you can cook rice, beans/tendon, soups, chicken/meat, stew, fish and many more.

### ATTENTION!

**For additional protection it is reasonable to install a residual current device (RCD) with nominal operation current not exceeding 30 mA. To install RCD, contact an authorized technician.**

## IMPORTANT SAFEGUARDS

**When using electric appliances, basic safety precautions should always be followed including the following:**

### SAFETY PRECAUTIONS

1. Read all instructions carefully and retain them for future reference.
2. Before connecting to the power supply, ensure that the unit is earthed and its voltage corresponds to the voltage indicated on the power supply rating label.
3. The power cord is equipped with a "BS" power plug built into the socket with a reliable grounding contact.
4. Always disconnect appliance from the power supply when not in use or before cleaning.
5. It is recommended to use a dedicated power socket that is not shared with other electrical appliances.
6. To protect against electric shock, do not immerse power cord, power plug, or any parts of the unit in water or other liquids.
7. Do not operate the appliance with a damaged power cord or power plug or after it malfunctions or has been damaged in any manner. In such a situation, it is recommended to return the unit to your nearest Authorized Service Centre for examination, repair, or adjustment.
8. Do not connect this appliance into a power extension socket shared by other appliances. Use only a dedicated power supply source.
9. Do not hang power cord over edge of table or counter or touch hot surfaces nor bend, twist or place the power cord under the weight of sharp or heavy objects.
10. Use only the removable parts supplied with the unit.
11. Place the appliance on a flat heat-resistant surface away from moisture, heat sources and open flame.
12. Operate the appliance in places with proper ventilation
13. Do not expose the appliance to direct sunlight
14. Do not locate the appliance close to walls and furniture. The gap between the pressure cooker body and the wall or furniture should be at least 20cm and the gap above the pressure cooker should be at least 30-40cm.
15. This appliance is meant only for indoor use. Do not use the it outdoors.
16. Do not touch the unit body, power cord or power plug with wet hands.
17. Never pull or yank the power cord to unplug it from the power supply or when moving the appliance.

## IMPORTANT SAFEGUARDS

18. Do not operate the appliance near containers filled with water, next to a kitchen sink, in wet basements or near a swimming pool.
19. If the appliance is dropped into water, unplug it from the power supply immediately and retrieve it from the water. Contact your authorized service center for the further inspection of the appliance.
20. Do not insert foreign objects into the steam release openings, and ensure no foreign objects get stuck between the lid and body of the appliance.
21. Do not leave the operating unit unattended and always switch it off and unplug the unit when not in use.
22. WARNING: Do not touch the lid, bowl and body is extremely hot during operation.
23. Exercise extra caution when touching hot surfaces.
24. Beware of hot steam escaping the floating valve and pressure regulator valve during cooking or when opening the lid.
25. Keep hands and face away from the appliance to avoid hot steam and to prevent scalds during operation.
26. Do not leave the pressure cooker lid open during the operation.
27. Never use the unit without the installed bowl and the pressure control valve. Do not switch the appliance on without food and liquids in the inner pot.
28. Do not use the appliance if the power plug, power cord, inner pot, sealing ring or the main body is damaged.
29. Follow the recommended amounts of dry products and liquids.
30. Do not remove the inner pot during operation.
31. Do not place the appliance on other household equipment.
32. Do not exceed the maximum water level indicated in the inner pot to prevent overflow.
33. Do not place the cooking utensils inside the pot while cooking.  
Attention! When cooking food, watch the level of liquid in the bowl, add water to the bowl as needed. Do not leave the unit unattended!
34. Never carry or lift the appliance by the handle on the lid.
35. Be very careful when opening the appliance's lid. Rotate the pressure control valve carefully and wait for pressure to be released before opening the lid.
36. Always keep the pressure control and lid blocking system valves clean.
37. Clean the appliance regularly to ensure optimal performance.  
Attention! Do not allow children to play with polyethylene bags or packaging film. Danger of suffocation!
38. Do not carry or move the appliance during operation. To move it, first unplug it from the power supply, release the pressure, and empty all contents from the inner pot before carrying it and placing on a heat-resistant surface.
39. This appliance is not intended for use by persons (including children) with reduced physical, sensory or mental capabilities or lack of experience and knowledge, unless they have been given supervision or instruction concerning use of the unit by a person responsible for their safety.
40. Do not attempt to repair the unit yourself. Contact an authorized service center for all repair issues.
41. Keep the unit in a dry cool place out of reach of children and disabled persons.

**THE UNIT IS INTENDED FOR HOUSEHOLD USE ONLY**

## ABOUT THE INNER POT

- The use of the inner pot and its parts are for the intended purposes only. Do not use the inner pot for cooking food on heating units or cooking surfaces.
- Do not replace the inner pot with another container.
- Ensure the heating element surface and bottom of the inner pot is clean and dry.
- To avoid damaging the non-stick coating, do not use the inner pot for washing and mixing products. Never chop products in the inner pot.
- Never leave or keep any foreign objects in the inner pot.
- When cooking, stir the products in the inner pot only with a plastic spatula.
- Do not use metal objects which can scratch the non-stick coating of the inner pot.
- Wash the inner pot immediately after cooking dishes with spices and seasonings.
- To avoid damaging the inner pot coating, do not immerse it under cold water immediately after cooking. Allow it to cool down before washing.
- The inner pot is not dishwasher safe.

## BEFORE FIRST USE

- Unpack the unit, remove any stickers and packaging materials.
- Place the appliance on a flat, heat-resistant surface away from all kitchen heat sources (such as gas cooker, electric cooker or cooking unit).
- Allow at least 20cm gap between the appliance body and wall, and 30-40cm gap above the unit.
- Do not place the appliance close to objects that can be damaged escaping hot steam. Attention! Do not place the unit near bathtubs, kitchen sinks or other containers filled with water.
- Turn the lid in the direction of the symbol and detach it.
- Wash all removable parts with a soft sponge and a neutral detergent and rinse them under running water and dry before reassembly.
- Remove the silicon lid gasket, wash with warm water and neutral detergent, then rinse, allow to dry and reassemble.
- Clean the unit body with a damp cloth, then wipe it dry.
- **ATTENTION:** Do not leave the lid of the unit opened during operation.

## USING THE PRESSURE COOKER

- **ATTENTION!** During first use, the heating element may discharge an odor. This is normal.
- Never leave the operating unit unattended.
- To cancel a current operation mode, press and hold the Keep Warm/Cancel button.
- **NOTES:**
  - Although the appliance features a 24-hour Keep Warm function, it is not advisable to leave cooked food in the inner pot overnight as it may spoil the food.
  - Do not use the keep warm function for heating up foods.
- Pressure modes in the inner pot
  - If pressure control valve is locked, the appliance will cook using maximum pressure.
- Loading foods and connecting to the power supply Notes:
  - Ensure there are no foreign objects, dirt or moisture on the heating element and on the bottom of the inner pot.
  - Wipe the outer surface and the bottom of the inner pot dry before use.
  - Do not allow obstructions on the temperature sensor located in the middle of the heating element.
  - Ensure that the level of ingredients and liquids does not exceed the maximal mark and is not lower than the minimal mark.
  - Example: To cook rice, measure rice using the measuring cup, and fill water level following the scale inside the bowl:
  - Water level is given in cups «CUP». Pour water up to the corresponding mark.
  - Example: After putting four measuring cups of cereal, pour water till the mark «4 CUP».
  - For porridge it is recommended to use rice and water in the proportion of 1:3.
  - Remove the lid by turning the lid in clockwise direction.
  - Detach the inner pot and place food into the inner pot.
  - Insert the inner pot into the heating element.
- Before installing the inner pot, ensure that the outer surface is clean and dry, and is in secure contact with the surface of the heating element.
- Before installing the lid, check the valve and the blocking system elements. They should be clean and the blocking system valve should be lowered.
- Place the lid on the unit and turning in the anticlockwise direction to lock it.
- Press ON/OFF button, "00:00" will show on the display screen. Then you can start cooking as following instruction in different situation.

1. Connect the appliance to a power supply and it will go into power-off state with a beep.
  - Press the “ON/OFF” button. The device will enter standby mode with a beep and the screen will display “88:88”.
2. Select a function.
  - Press a desired function button: Rice, bean/tendon, soup, chicken/meat, stew, fish.
3. If no any action within 10s, the cooking function will automatically activate.

## PRESET TIME FUNCTION

1. Select a function.
2. Press the “PRESET / KEEP PRESSURE TIME” button and hold for a few seconds, the “PRESET / KEEP PRESSURE TIME” button will illuminate, and the numbers on display will flash. Keep pressing “+/-” button to choose the delay time you want.
3. If no any action, the unit will automatically start counting down the preset time.

### Remarks:

- PRESET TIME function is to set how much later the device will start to work.
- Default preset time is 2 hours. Maximum delayed-start time is 24 hours.

## KEEP PRESSURE TIME FUNCTION

1. Select a cooking function or skip this step.
2. Press the “PRESET / KEEP PRESSURE TIME” button, the “PRESET / KEEP PRESSURE TIME” button will illuminate, and the numbers “P:XX” on the display will flash. Keep pressing “+/-” button to choose the delay time you want.
3. If no any action, the unit will automatically start heating or start counting down the default preset time.

### Remarks:

- The unit will enter into keep pressure mode when inner pressure reaches the default pressure after heating.
- Keep pressure time ranges from 1 min to 60 mins.
- Cooking time includes heating and keep pressure time.

## KEEP WARM/CANCEL BUTTON

- When the appliance is in operation, press the “KEEP WARM/CANCEL” button to enter standby mode and keep warm.
- After cooking completes, the appliance will automatically switch to keep warm mode, and the KEEP WARM light will be lit.
- Keep warm for 10mins after switching to keep warm mode to make rice taste better.
- Do not keep warm for more than 12 hours.
- During keep warm mode, water droplets will appear on the edge of the inner pot.

## COOKING FUNCTION TIMES

COOKING PROGRAMS AND THEIR DURATION			
Cooking program	Temperature (°C)	Default time	Cooking time
Meat Chicken	100-110°C	40 min	45 min
Beef	100-110°C	40 min	45 min
Bean Tendons	100-110°C	45 min	51 min
Cook w/oil	95-100°C	21 min	21 min
Rice	100-110°C	22 min	26 min
Porridge	100-110°C	35 min	41 min
Multigrain Porridge	100-110°C	45 min	50 min
Soup	100-110°C	45 min	55 min

**Cooking time: Heating time + keep pressure time.**

### ATTENTION!

- In cooking mode, if the air release valve is not positioned correctly, air will release automatically.
- In pressure holding mode, the heating plate will power on continuously (power off when pressure is higher than the maximum operating pressure, and power on when pressure is lower than the maximum operating pressure).
- In keep warm mode, the heating plate will power on continuously (power off when temperature is higher than the keep warm temperature and power on when temperature is lower than the keep warm temperature).
- If keep warm function is not required, power off and unplug the power cord.

### OPENING THE LID

**ATTENTION! Always follow the recommendations for opening the lid as below.**

- Beware of hot steam released from the floating valve and pressure regulator valve when opening the lid.
- Keep hands and face away from the appliance to prevent scalds from hot steam.
- Release the inner pot pressure by pressing on the pressure control valve.
- When no more steam is released, remove the lid by turning it in clockwise direction.
- Carefully use protective mitts to remove the inner pot.
- Unplug the appliance from the power supply as it cools down.

- Disconnect the power cord from the power supply and allow the appliance to cool down completely.
- Discard any water remnants from the dew collector after every use.
- Wipe the appliance body and the lid using a damp cloth.
- Wash all removable parts including the inner pot with a soft sponge and neutral detergent, then rinse under running water.
- Do not place the inner pot in the dishwashing machine.
- To clean the lid fully, perform the following steps:
  - Detach the sealing ring from the lid and wash thoroughly.
  - Detach the pressure control valve from the lid and wash it thoroughly.
  - Wash the lid thoroughly, especially the valve with the blocking system and the pressure control valve opening.
  - Dry all parts thoroughly and reassemble back to their proper places.
- After appliance has cooled down completely, wipe the heating element surface with a soft and slightly damp cloth. Do not allow water to seep inside the appliance body.
- Do not immerse the appliance body, power cord and power plug in water or any other liquids.
- Wipe the appliance body with a damp cloth and then wipe dry. Do not use abrasive detergents for washing the unit and accessories.

### STORAGE

- Unplug the unit and clean it.
- Keep the unit away from children in a dry cool place.

PROBLEM	POSSIBLE CAUSES	SOLUTION
Lid is difficult to close	Sealing ring not properly installed.	Reposition the sealing ring correctly.
	Floating valve stuck in upwards position.	Push down the floating valve so that it does not block the locking pin.
Difficult to open the lid	Pressure trapped inside the appliance.	Use the steam release handle to reduce the pressure inside the appliance. Open the lid after the pressure has completely released.
	Floating valve stuck in upwards position.	Push down the floating valve lightly.
Steam escapes from the side of the lid	Sealing ring not installed.	Install the sealing ring.
	Sealing ring damaged.	Replace the sealing ring.
	Foreign objects stuck to the sealing ring.	Clean the sealing ring.
	Lid not closed properly.	Open and close the lid again.
Steam leaks from floating valve	Food debris stuck on the floating valve silicone seal.	Clean the floating valve silicone seal.
	Floating valve silicone seal worn out	Replace the floating valve silicone seal.
Float valve unable to rise	Food or water below the minimum level.	Add more water or ingredients.
	Floating valve obstructed by the lid locking pin.	Close the lid completely (see "cooking preparation" section).
Steam escapes from floating valve continuously	Steam release handle not locked in sealing position.	Turn the release handle to the sealing position.
	Pressure control fail.	Contact support online.
Heating element does not heat up during operation	Lid not closed properly.	Open then close the lid again.
	Heating element failure.	Contact support online.
	Circuit failure.	Contact support online.
Display flashes "Lid"	Lid is not locked at the correct position for the selected program.	Close lid for pressure cooking or open the lid for sautéing
Rice half cooked or hard	Too little water.	Adjust rice to water ratio according to recipe.
	Cover opened too early.	Leave cover on for 5 more minutes after cooking completes.
Rice too soft	Too much water.	Adjust rice to water ratio according to recipe.