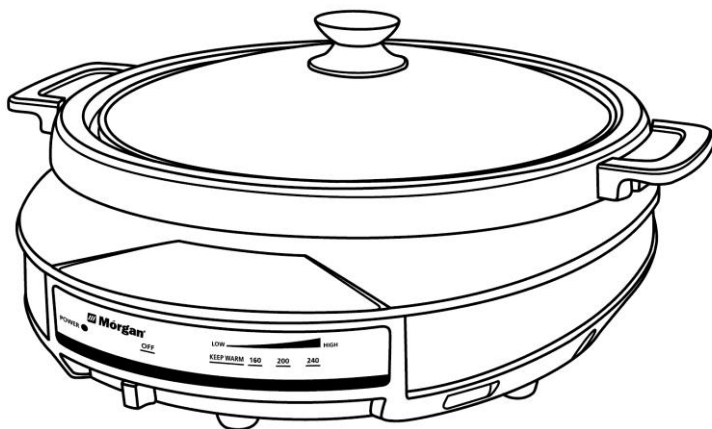


 **Mórgan[®]**

USER MANUAL



Multifunctional Cooking Pot

MMC-1428

C O N T E N T S

2

Parts Identification

3

Specifications

3 - 4

Safety Precautions

4 - 6

Operating Instructions

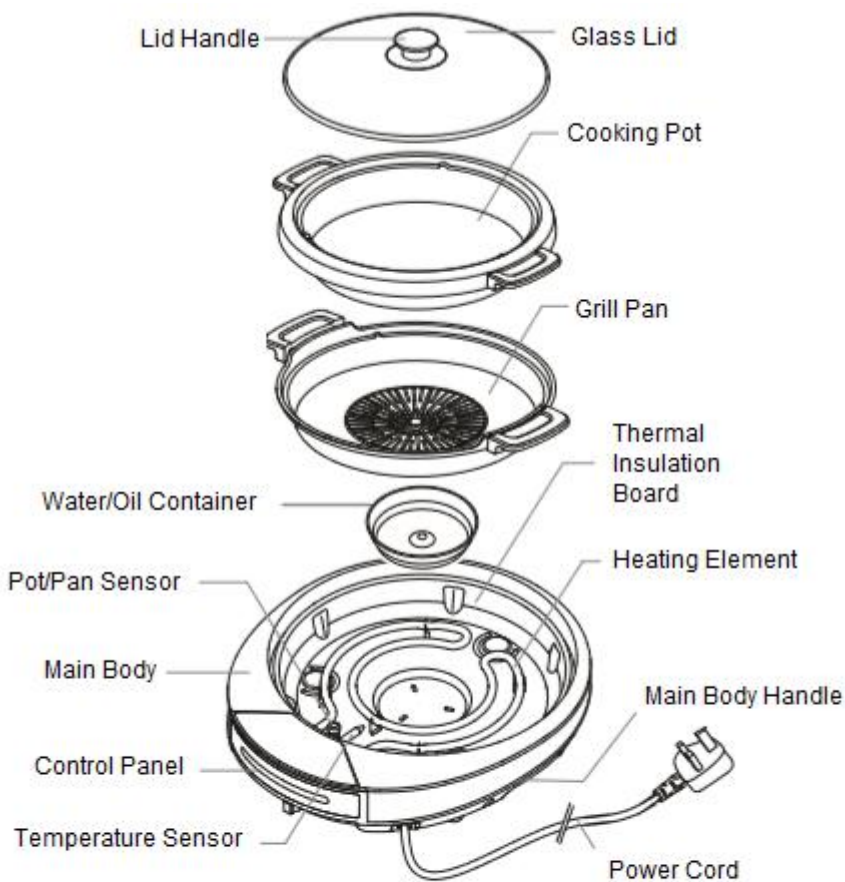
7

Care & Cleaning

8

Trouble Shooting

PARTS IDENTIFICATION



* The cooking Pot and grill pan can not use together.

Water/Oil Container need to use with grill pan.

SPECIFICATIONS

Rated Voltage:	220-240V~, 50/60Hz
Power:	1500W

Control Panel



SAFETY PRECAUTIONS

When using the appliance, especially when children are present, basic safety precautions should always be followed including the following:

1. Read all instructions carefully before using the appliance.
2. Check the voltage range given on the appliance rating label is corresponds with your main power supply voltage.
3. Connect the cooker to power outlet. Do not use extension cords or multi socket outlet adapters.
4. This appliance is suitable for normal household use only and not for commercial use.
5. Always place appliance on a flat sturdy surface.

SAFETY PRECAUTIONS

6. Do not operate the appliance with a damaged cord or plug or after the appliance malfunctions or has been dropped or damaged. Return the appliance for examination, adjustments, or repair.
7. The use of attachments not recommended may cause fire, electrical shock, or risk of injury.
8. Unplug the unit when not in use and whenever you clean or move the unit.
9. To disconnect the appliance, set control to OFF, grip plug and pull from wall outlet. Never yank on cord.
10. This appliance is not intended for use by persons (including children) with reduced physical, sensory or mental capabilities, or lack of experience and knowledge, unless they have been given supervision or instruction concerning use of the appliances by a person responsible for their safety.
11. Only authorized service personnel should undertake repairs on electrical appliances. Faulty, unqualified repair work may cause accidents or injury to the user.
12. If the supply cord is damaged, have it replaced by the manufacturer or its service agent or a similarly qualified person in order to avoid a hazard.

OPERATION INSTRUCTION

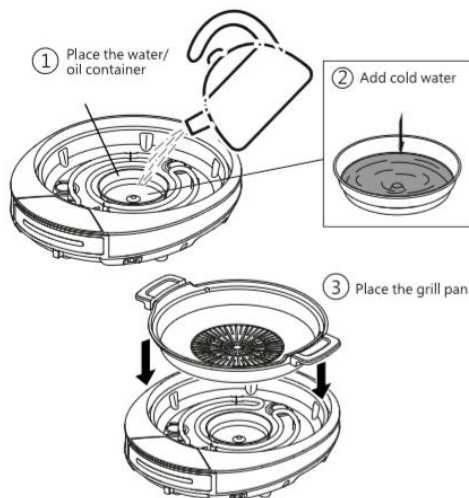
The multifunctional cooking pot has many functions. You may grill, stir fry and steamboat with this versatile appliance.

Grill /Fried

When grill or fried meat, it is suggested to use the grill pan. The oil will drop into the water/oil container when cooking. It makes the meat cooking with less oil. The cooking pot can use alone, but the grill pan must be used together with the water/oil container. Refer picture on page 5.

OPERATION INSTRUCTION

1. Put the water/oil container inside the main body surrounded by the heating plate. The bulge on water/oil container should facing top.
2. Pour water into the water/oil container.
3. Place the grill pan on the main body.
4. Slide the temperature setting control to "OFF" position.
5. Plug the power plug to the power outlet.
6. Always start any cooking function at the lowest setting and gradually increase the temperature to suit the food being cooked. The light indicator will light up.
7. The appliance will stop heating when the grill pan has reached a certain temperature. The light indicator will be turn off. The appliance will start heating again when the temperature of grill pan was lower than setting temperature.
8. Always use a wooden spatula for stir frying so as not to damage the grill pan.
9. When cooking completed, slide the temperature setting control to "OFF" and unplug from power outlet.



OPERATION INSTRUCTION

Steamboat/ Stir Fry

1. Put the cooking pot inside the cooker properly, placing it well on the heating element.
2. Slide the temperature setting control to “OFF” position.
3. Plug the power plug to the power outlet.
4. Always start any cooking function at the lowest setting and gradually increase the temperature to suit the food being cooked. The light indicator will be light up.
5. The appliance will stop heating when the pot or pan has reached a certain temperature. The light indicator will be turn off. The appliance will start heating again when the temperature of pot/pan was lower than setting temperature.
6. Always use a wooden spatula for stirring so as not to damage the inner pot.
7. When cooking completed, slide the temperature setting control to “OFF” and unplug from power outlet.

CARE AND CLEANING

General:

- Be sure to unplug from power outlet before cleaning.
- Clean only after the main body and the cooking pot have cooled.

Main Body:

- Wipe off food residues and oil with a damp cloth. Do not wash in water.

Glass Lid:

- The glass lid can be washed with warm soapy water.

Heating Element :

- Remove any foreign matters that are trapped on the heating element. When food particles become burnt onto the heating element, remove with fine sandpaper and wipe off with damp cloth.

Cooking Pot/ Grill Pan/Water/Oil container:

- All this parts can be immersed and washed in warm soapy water.
- Oil and food particles can be best removed while grill pan is still slightly warm by wiping with a paper towel.
- Dry thoroughly before storing.
- Do not hard-scrub as it may damage the non-stick coating.
- Use sponge or soft cloth for washing.

TROUBLE SHOOTING

Problem	Possible Cause	Solution
Not working/ No power	No power	Check the power supply.
	Power cord, plug or socket damaged or not connected.	Check the status of plug and socket are well connected.
	Abnormal voltage	<ul style="list-style-type: none"> • Check if the voltage of power supply too high/low. • Check the power plug and socket. • Check if the socket overload or extend socket damaged.
Cooking pot/grill pan temperature no raise	<ul style="list-style-type: none"> - Pot/pan base not clear - Cooking pot/grill pan not well installed. 	<ul style="list-style-type: none"> • Clean and clear the bottom of cooking pot/grill pan. • Put it back on the main body and make sure it is flat
A slight odor and a small amount of smoke may be detected	foreign matters that are trapped on the heating element, cooking pot /grill pan.	Remove with fine sandpaper and wipe off with damp cloth.
	Water/oil container are out of water or not enough water when using with grill pan.	Add water into the water/oil container.

 **Mórgan®**

Market Expansion
Services by
www.dksh.com.my



DKSH

E-mail: electrical.appliance@dksh.com
www.morgan.my

 facebook.com/morganappliances