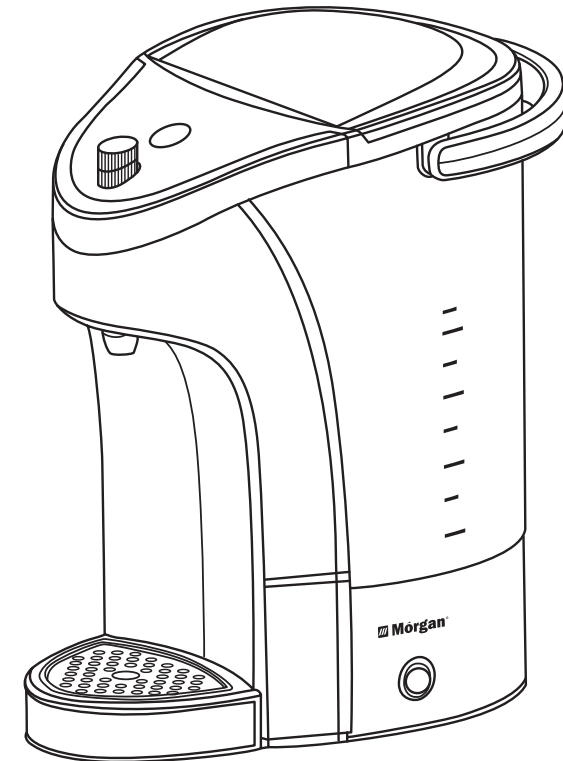


Mórgan[®]

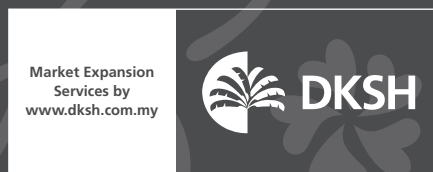
USER MANUAL



Instant Boiler

MIB-6617

Mórgan[®]



E-mail: electrical.appliance@dksh.com

www.morgan.my

 facebook.com/morganappliances

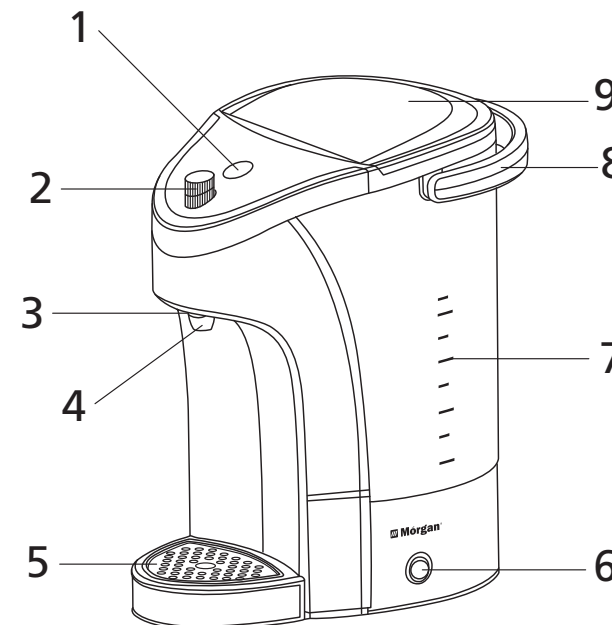
C O N T E N T S

- 3 Parts Identification
- 3 Specifications
- 4 Safety Instructions
- 6 Operating Instructions
- 7 Cleaning and Maintenance

Thank you for purchasing a quality MORGAN Instant Boil Water Dispenser. We trust that you will have a pleasant usage experience with your new product. To guarantee safety and best efficiency, please read this manual carefully and keep a copy for future reference.

PARTS IDENTIFICATION

1. Operation Indicator Light
2. ON/OFF Control
3. Lamp
4. Water Spout
5. Dispenser Drip Tray
6. Indicator Light
7. Water Level Indicator
8. Handle
9. Lid



SPECIFICATIONS

RATED VOLTAGE / FREQUENCY	220-240V~ 50/60Hz
RATED WATTAGE	2200-2600 W
CAPACITY	4.5 L

SAFETY INSTRUCTIONS

For your satisfaction and safety, read all instructions, cautions, warnings and dangers before installing or using this instant boil water dispenser.

1. Before using the appliance, ensure that the voltage indicated on the appliance corresponds to the local rated voltage before connecting the appliance to the power supply.
2. Inspect your appliance thoroughly to ensure that the power cord, power plug and the control panel are in proper working order and is not damaged in any manner. Do not use the appliance if the housing is cracked or deformed and contact the manufacturer or your local service agent immediately.
3. Do not operate the appliance with water below the minimum water level to avoid damaging the heating element.
4. Do not allow the power cord to hang over the edge of your table or counter, and do not allow the appliance to come into contact with hot surfaces.
5. Do not place the appliance on or near any gas or electric burner or inside heated ovens.
6. Do not store the appliance into the freezer compartment of your refrigerator.
7. Do not tilt the appliance or operate it upside down.
8. This appliance is only intended for indoor use only. Do not use it outdoors.
9. This appliance is not intended for use by persons (including children) with reduced physical, sensory or mental capabilities, or lack of experience and knowledge, unless they have been given supervision or instruction concerning use of the appliances by a person responsible for their safety.
10. Children should not be allowed to use, clean or perform user maintenance services without proper adult supervision.
11. This appliance is not a toy, ensure that children do not play with it.
12. Ensure that the appliance is used on flat and sturdy surfaces out of children's reach, to avoid being overturned accidentally and resulting scalds or other bodily injuries.
13. To protect against a fire, electric shock or other personal injury, do not immerse any part of the appliance in water or other liquids.
14. **CAUTION!** Do not touch the appliance or water spout when the appliance is operating to avoid scalding or other bodily injuries.

SAFETY INSTRUCTIONS

15. Do not obstruct the appliance's steam escape outlet while the appliance is still operating avoid scalding and appliance malfunctions.
16. Do not use the appliance to heat anything other than water. Do not fill water above the "MAX" water level. Similarly, do not operate it if water is below the "MIN" water level.
17. Always unplug the appliance from the power supply and allow the appliance to cool down thoroughly before attempting to clean or carry out maintenance works.
18. If the power cord is damaged, it must be replaced by the manufacturer or its service agent or a similar qualified person in order to avoid any hazard.
19. Use only the manufacturer recommended power cord to avoid any damage to appliance.
20. Do not operate the appliance should there be any malfunctions. Return it to your nearest authorized service agent or manufacturer for examination, repair or replacement. Do not attempt to disassemble or repair yourself.
21. Save this instruction manual for future reference.

OPERATING INSTRUCTIONS

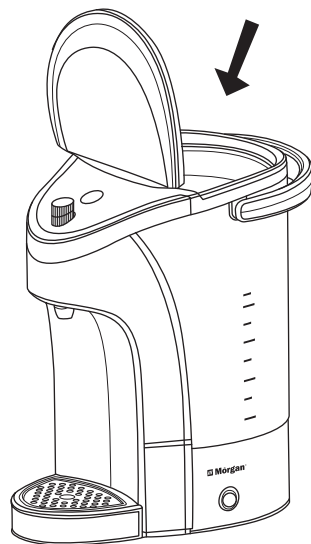
BEFORE FIRST USE

Clean your Instant Boil Hot Water Dispenser thoroughly before using it for the first time. Fill it with clean water and boil. Discard boiled water, allow to cool before filling with clean water and boiling again. Always unplug from the power plug from the power supply and allow to cool down before cleaning or maintenance. Wipe the Hot Water Dispenser's surface exterior only with a damp cloth and dry with a soft dry cloth.

1. Open the lid, fill the water tank with the desired amount of water, and then close the lid.
IMPORTANT: Water level must be within the "MIN" and "MAX" level.

BOILING WATER

1. Connect power plug to the power supply and fill in water with desired quantity of water, ensuring that water level is above the "MIN" level but below the "MAX" level. Place your cup on the removable dispenser drip tray, aligning with the water spout.
2. When turn on the power switch at the base of the operation indicator light will illuminate.
3. The heating element begins to work, and boiling will begin in about 5 seconds.
4. Boiled water will flow out continuously from the water spout (First flow about 8 seconds, and 3-5 seconds afterwards).
5. Turn the function knob to OFF position after boiling has completed, and the indicators lights will also turn off. To reboil water again turn on the function knob to repeat the same procedure.



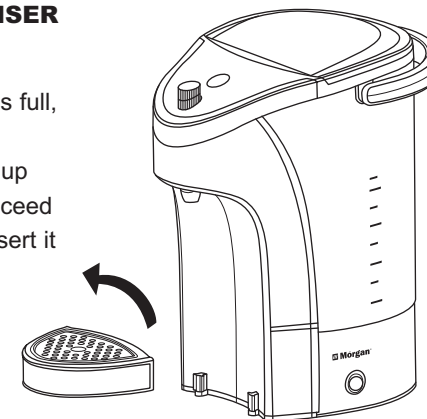
WARNING!

1. Exercise extreme caution! Boiled water and steam is extremely hot!
2. When there's insufficient water inside the appliance, the water protection indicator light will illuminate as a reminder to replenish water.
3. This appliance features a manual thermostat cut-off to protect it in the event of overheating or a malfunction. You can reset the thermostat by using a reset key easily.

OPERATING INSTRUCTIONS

DISPOSING WATER FROM THE DISPENSER DRIP TRAY

To dispose water when the dispenser drip tray is full, use one hand to firmly grasp and stabilize the appliance by one hand and another hand to lift up the dispenser drip tray slightly to remove it. Proceed to empty water inside the dispenser drip tray insert it into its proper place.



CLEANING AND MAINTENANCE

1. Always switch off and unplug your appliance from the power supply and allow it to completely cool before cleaning and maintenance.
2. Do not immerse the appliance into water or any other liquids to avoid damaging it.
3. To maintain optimal performance, it is recommended to descale the appliance periodically. Use only toxic free descaler such as citric acid. Add citric acid into water proportionately. Boil and reboil water three (3) times to completely remove the limescale. Discard any remaining water during descaling.
4. Do not use any chemical, metal, wood or abrasive cleansing agents to clean the appliance housing. Always use a damp cloth.
5. Always handle the appliance with care. Avoid placing it near the edge of the table and counter tops to protect against deforming or damaging the appliance in case it accidentally topples over.

STORAGE

If the appliance is not going to be used for a long duration, clean and unplug it from the power supply and place it back into its original packing box to prevent humidification or damage to the electrical components.



Environment friendly disposal