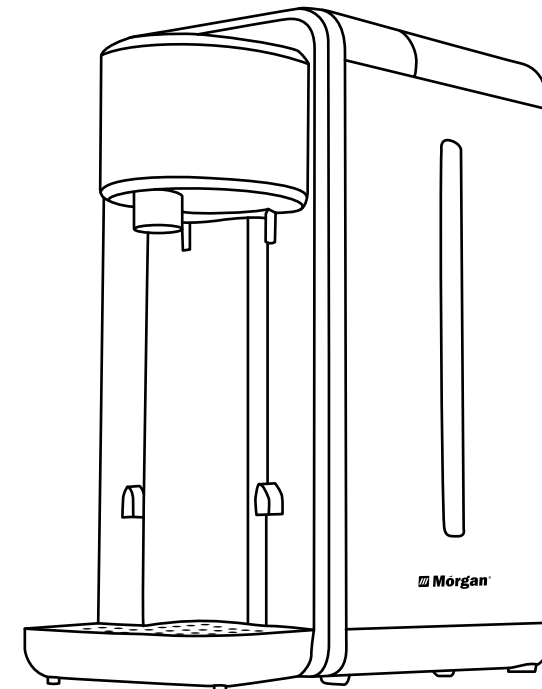


 **Mórgan[®]**

USER MANUAL



Instant Boiler

MIB-6613

 **Mórgan[®]**

Market Expansion
Services by
www.dksh.com.my



DKSH

E-mail: electrical.appliance@dksh.com
www.morgan.my

 facebook.com/morganappliances

C O N T E N T S

3 Important Safeguards

4 Parts Identification

4 Specifications

5 Operating Instructions

6 Cleaning & Maintenance

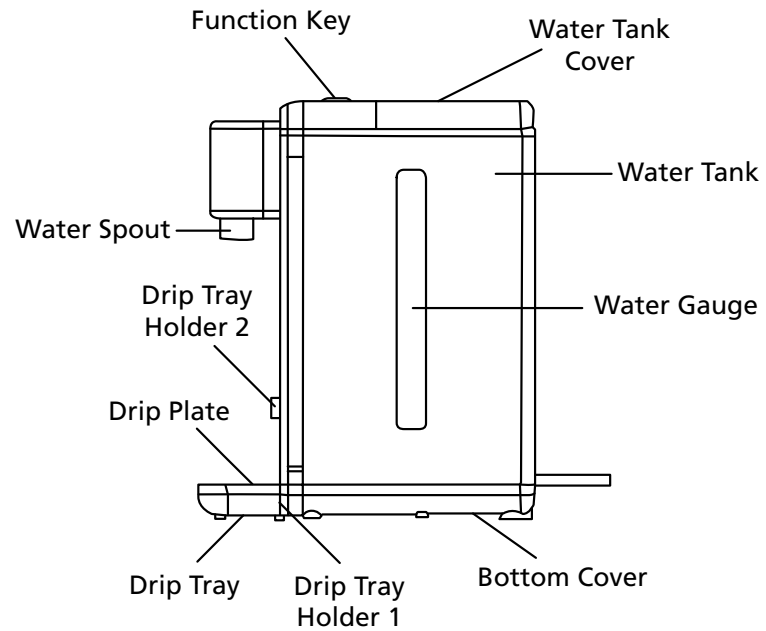
Thank you for purchasing a quality MORGAN appliance. We trust that you will have a pleasant experience with your new product. To guarantee safety and best efficiency, please read this manual carefully and keep a copy for future reference.

IMPORTANT SAFEGUARDS

Before using the electrical appliance, the following basic precautions should always be followed in order to prevent accidents or injuries to the user, other people, and damage to property.

1. Please read these instructions carefully before operating this appliance and retain for future reference. Always exercise safety precautions when using an electrical product.
2. Remove all packaging and any labels.
3. Before inserting the power plug into the power supply, ensure that the power voltage and rating comply with the rated electric parameter shown on the appliance label.
4. Do not operate any appliance with a damaged cord or plug or after the appliance malfunctions or is dropped or damaged in any manner. Return appliance to the manufacturer or your nearest authorized service agent for examination, repair or electrical or mechanical adjustments.
5. Do not operate the appliance dry to avoid damaging the heating elements.
6. Do not allow power cord to hang over edges of table or touch hot surfaces.
7. Do not operate the appliance on or near a hot gas stove, electric burner, or in a heated oven.
8. Do not refrigerate the appliance.
9. Do not tilt the appliance or operate it upside down.
10. This appliance is only for indoor use. Do not use it outdoors.
11. This appliance is not intended for use by persons (including children) with reduced physical, sensory or mental capabilities, or lack of experience and knowledge, unless they have been given supervision or instruction concerning use of the appliances by a person responsible for their safety.
12. This appliance is not a toy, please ensure that children do not play with it.
13. This appliance is intended for use on a flat and stable surface to prevent it from being overturned which can result in scalds and/or other personal injuries.
14. To prevent a fire hazard, electric shock or other personal injuries - do not immerse any part of the appliance in water or other liquids.
15. Do not touch hot surfaces or water spout when the appliance is in operation.
16. Do not cover the steam vents in the lid to avoid scalds and other personal injuries. Always ensure there is adequate ventilation around the appliance during operation.
17. Do not use the appliance to heat anything other than water. Do not fill above the "max" indication. Do not operate it if water is below the minimum level.
18. Unplug the appliance from the power supply and allow it to cool down completely before cleaning.
19. If the supply cord is damaged, have it replaced by the manufacturer or its service agent or a similar qualified person to avoid any hazard.
20. Do not operate the appliance in the event of a malfunctions. Return it to your nearest authorized service agent or manufacturer for examination, repair or replacement. Do not attempt to disassemble it yourself.
21. This appliance is intended to be used in household and similar locations such as:
 - staff kitchen areas in shops, offices and other working environments;
 - farm houses;
 - by customers in hotels, motels and other residential environments;
 - bed and breakfast environments.

PARTS IDENTIFICATION



SPECIFICATIONS

MODEL	MIB-6613
RATED VOLTAGE / FREQUENCY	220-240V~ 50/60Hz
RATED WATTAGE	2200-2600W
CAPACITY	2.5L

OPERATING INSTRUCTIONS

BEFORE FIRST USE:

- Clean the water tank before using the appliance for the first time.
- Always unplug the appliance from the power supply and allow to cool down completely before cleaning,
- Wipe the surface of the water tank with a damp cloth and buff dry using a soft dry cloth.
- Fill with clean water, connect power plug into power supply and allow water to flow out until tank is empty and repeat the same steps several times.
- Finally, refill with clean water and the appliance for operation.

FILLING THE WATER TANK

Open the lid and fill the water tank with clean water and close the lid.

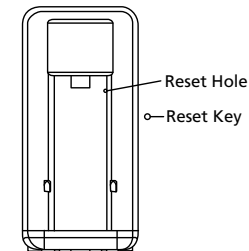
Note: It is important to ensure that the water level must not exceed the 'Max' level.

PREPARING FOR OPERATION

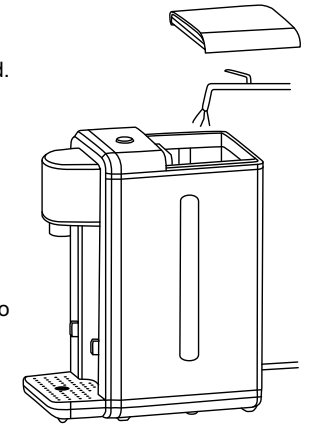
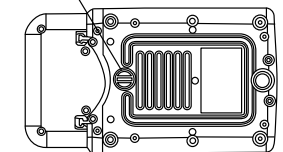
- After the water tank is filled to the desired level, insert the power plug into power supply.
- Place a cup on the removable drip tray, ensuring that it is aligned to the spout.
- Press the function button once and a blue light will illuminate for about 5-8 seconds to dispense approx. 200ml of hot water.
- Press the function button twice and a green light will illuminate. Hot water will be dispensed continuously. To stop dispensing, press the function button again.
- The blue light and green light will flash alternately to indicate insufficient water inside the water tank.

NOTE:

- **CAUTION:** Do not touch hot surfaces or contact with escaping hot steam to avoid scalds and other injuries.
- The appliance has a manual thermostat to resume the heating function in the event of a power cut. For manual reset, press the reset button.
- Open the drainage stopper after cleaning the appliance to discharge waste water and tighten it for next use.
- Note: Tighten the drainage stopper securely if water leakage appears from the bottom.



Drainage Stopper

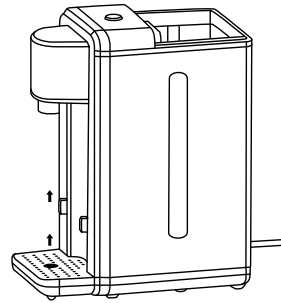


OPERATING INSTRUCTIONS

DISPOSING WATER FROM THE WATER TRAY

- Hold the appliance steadily using one hand and another hand to lift the water tray slightly to detach it.
- Empty the water tray and insert it into place firmly.

The drip tray can be adjusted to accommodate different cup sizes up to 7cm high.



CLEANING AND MAINTENANCE

- Always switch off and unplug power cord from the power supply and allow it to cool completely before cleaning.
- Do not immerse the appliance into any liquid to avoid the damage.

DESCALING

- After prolonged use of up to 10 hours, the green light will flash to remind that descaling is required.
- Use only toxic-free detergent such as citric acid when descaling.
- Add some citric acid into water in the proportion of 1:100 (1%) and operate the appliance twice as usual.
- After completion, discharge all contents and add clean water to boil.
- Press the function button for 5 seconds to reset the descaling function reminder.

IMPORTANT:

- Do not use any chemical or abrasive cleansers to clean the appliance housing. Always use a clean, damp cloth.
- Always handle the appliance gently, do not place it near edges of a table and counter tops to prevent deformation or malfunction in the event the appliance topples over.

STORAGE

- If not using the appliance, unplug and clean the appliance and store it in its original packing box to prevent the electrical components from humidity or damage.