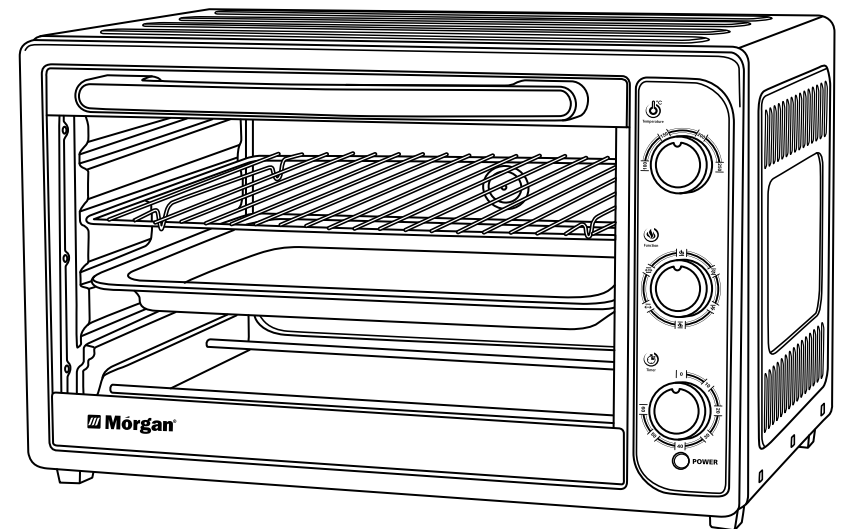
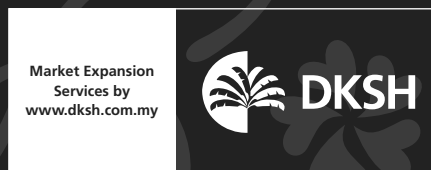


Mórgan®

USER MANUAL



Mórgan®



E-mail: electrical.appliance@dksh.com
www.morgan.my

 facebook.com/morganappliances

Electric Oven

MEO-LUX100L
MEO-LUX66L

Thank you for purchasing a quality MORGAN appliance. We trust that you will have a pleasant experience with your new product. To guarantee safety and best efficiency, please read this manual carefully and keep a copy for future reference.

IMPORTANT SAFEGUARDS

Please note: initial start-up operation may result in minimal odor and smoke. This is normal and harmless. It is due to burning of the protective substance applied to the heating elements in the factory.

When using electric appliances, basic safety precautions should always be followed including the following:

1. Read all instructions carefully and retain them for future reference.
2. Before connecting to the power supply, ensure that the voltage of the appliance corresponds to the voltage indicated on the power supply rating label at the bottom of the appliance.
3. Do not touch hot surfaces. Use handle or knobs.
4. Close supervision is necessary when any appliance is used by or near children.
5. To protect against electric shock, do not immerse power cord, power plug, or any parts of the oven in water or other liquids.
6. Do not allow power cord to hang over edge of table or counter or touch hot surfaces.
7. Do not operate appliance with a damaged power cord or power plug or after the appliance malfunctions or has been damaged in any manner. In such a situation, it is recommended to return the appliance to your nearest Authorized Service Center for examination, repair, or adjustment.
8. The use of accessory attachments not recommended by the appliance manufacturer may cause hazard or injury.
9. Do not place on or near a hot gas or electric burner, in a heated oven, or in a microwave oven.
10. When operating the oven, allow at least 12cm of ventilation space on all sides of the oven to allow for optimal air circulation.
11. Unplug from the power supply when not in use, or before cleaning. Allow the appliance to cool down before assembling or disassembling parts, or before cleaning.
12. Do not cover any part of the oven with metal foil to prevent overheating the oven.
13. Extreme caution should be exercised when removing a tray, disposing hot grease or other hot liquids.
14. Do not clean the oven with metal scouring pads. Metal chippings may contact electrical parts and pose a risk of electric shock.
15. A fire may occur if the oven is covered by or placed near flammable material, including curtains, draperies, walls, and the like during operation. Do not store any item on the oven during operation.
16. Exercise extreme caution when using containers constructed of anything other than metal or glass.

17. Do not place cardboard, plastic, paper and similar items in the oven.
18. Do not store any materials, other than manufacturer's recommended accessories in this oven when not in use.
19. To disconnect, turn any control to "OFF" and detach the power plug from the power supply. Always hold on the power plug and never pull the power cord.
20. Always wear oven gloves when removing or putting in accessories or ovenware.
21. This appliance is for HOUSEHOLD USE ONLY. Do not use outdoors.
22. Do not use appliance for other than its intended use.
23. **WARNING:** Accessible parts and surfaces are hot during operation.
24. The glass door cannot support items in the oven in a fully open position.
25. Do not control the appliance with an external timer or separate remote-control system.
26. **CAUTION: HOT SURFACE!** The temperature of accessible surface may be high when the appliance is operation. Do not touch hot surfaces. Use handle or knobs.
27. This appliance is not intended for use by persons (including children) with reduced physical, sensory or mental capabilities or lack of experience and knowledge, unless they have been given supervision or instruction concerning use of the appliance by a person responsible for their safety.
28. Children should be supervised to ensure that they do not play with the appliance.
29. If the supply cord is damaged, it must be replaced by the manufacturer, its authorized service center or similarly qualified persons in order to avoid a hazard.
30. It is recommended to place the rear surface of the appliance against a wall.

SAVE THESE INSTRUCTIONS

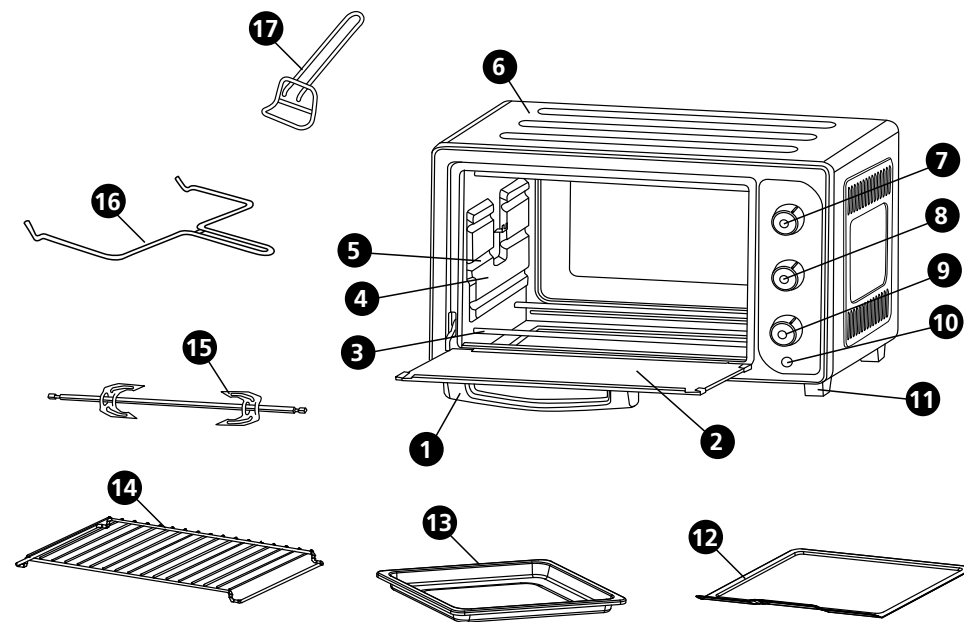
Before using your oven for the first time, be sure to:

1. Read all instructions included in this manual and save them for future reference.
2. Ensure oven is not connected to the power supply and Timer Knob is in the "0" position.
3. Remove all racks and pans. Wash the racks and pans in hot sudsy water or in a dishwasher.
4. Thoroughly dry all accessories and reassemble them in the oven. Insert power cord into the power supply and you are ready to use your new oven.

Important tips on first use:

1. Ensure that the voltage of the appliance corresponds to the voltage indicated on the power supply rating label at the bottom of the appliance
2. Do not allow power cord to hang over edge of table or counter to prevent children from tripping over.
3. **WARNING:** Do not operate the appliance if the power cord is damaged. Return it to the manufacturer, authorized service center or a similarly qualified person for repairs to avoid a hazard.
4. This unit has a short power cord to reduce the risk of tripping over a long cord.
5. An extension power cord may be used if its power rating matches or exceeds the appliance's power rating.

PARTS IDENTIFICATION



- | | |
|----------------------------------|-----------------------------------|
| 1. Door handle | 10. Indicator light |
| 2. Glass door | 11. Oven foot |
| 3. Heating element | 12. Crumb tray |
| 4. Inner cavity | 13. Bake tray x 2pcs |
| 5. Rack support | 14. Wire rack |
| 6. Housing | 15. Rotisserie axis, fork & screw |
| 7. Temperature control knob | 16. Rotisserie handle |
| 8. Heating/Function control knob | 17. Tray handle |
| 9. Timer control knob | |

SPECIFICATIONS

Model	MEO-LUX100L	MEO-LUX66L
Rated Voltage / Frequency	220-240V~ 50/60Hz	
Rated Wattage	2200W	
Capacity	100L	66L

Heating/Function & Temperature Knob

- Select cooking mode using the Heating/Function Knob.
- Use the temperature knob to select the desired cooking temperature.

Place the food on grill rack or Food tray and close the oven door

- Do not place food on paper or plastic container when cooking in the oven.
- Use the Food tray for smaller food items that is likely to drip while cooking.
- Place food evenly on the grill rack.

Insert the power plug into the power supply.

- Select the desired cooking function and temperature.
- When cooking is finished, turn the Timer knob to "0" position.
- Detach power plug from the power supply after cooking.

Note: The weight of the food placed on the Food Tray/Grill Rack should not exceed 3.5kg (as a reference) to ensure & maintain even cooking. It is also important to place food on the Food Tray/Grill Rack evenly for best cooking results.


TEMPERATURE CONTROL


- Choose the desired temperature from 100°C to 250°C for cooking.


FUNCTION CONTROL


- This oven is equipped with different positions for a variety of cooking needs:


() Operates lower heating

() Operates both upper & lower heating with convection.

() Operates upper heating with convection.

() Operates both upper & lower heating

() Operates upper heating with rotisserie.

() Operates both upper & lower heating with convection & rotisserie.

TIMER CONTROL

- 60mins timer. You can set the time by turning the control clockwise. This function activates a notification sound at the end of the programmed time.

ALWAYS UNPLUG OVEN AND ALLOW TO COOL BEFORE CLEANING

MAINTENANCE:

- This appliance has been designed to operate for prolonged periods with minimum maintenance. Continuous satisfactory operation depends upon proper care and regular cleaning.
- **WARNING:** Always disconnect appliance from the power supply before performing any maintenance or cleaning tasks.

CLEANING:

- To protect against the risk of electrical shock, do not immerse the unit, power cord or power plug in water or other liquids.
- Use a damp cloth to wipe over the exterior surface of the appliance.
- The oven features a Quick-Clean internal coating which can be cleaned using a damp cloth moistened with mild detergent to wipe.
- Wash all accessories in hot sudsy water or in a dishwasher.
- Wipe the door with a clean damp cloth, and dry with a paper or cloth towel. Clean exterior with damp cloth.

DO NOT USE ABRASIVE CLEANERS ON ANY PART OF THIS APPLIANCE. ALWAYS UNPLUG THE OVEN FROM THE POWER SUPPLY AND ALLOW TO COOL BEFORE CLEANING.

DRY ALL PARTS AND SURFACES THOROUGHLY BEFORE OPERATING!