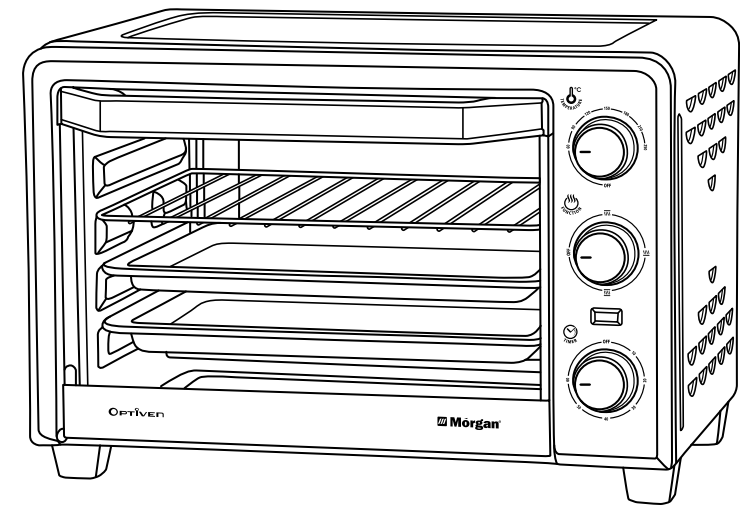


 **Mórgan®**

## USER MANUAL

 **Mórgan®**



# Electric Oven

MEO-HC23B

Market Expansion  
Services by  
[www.dksh.com.my](http://www.dksh.com.my)



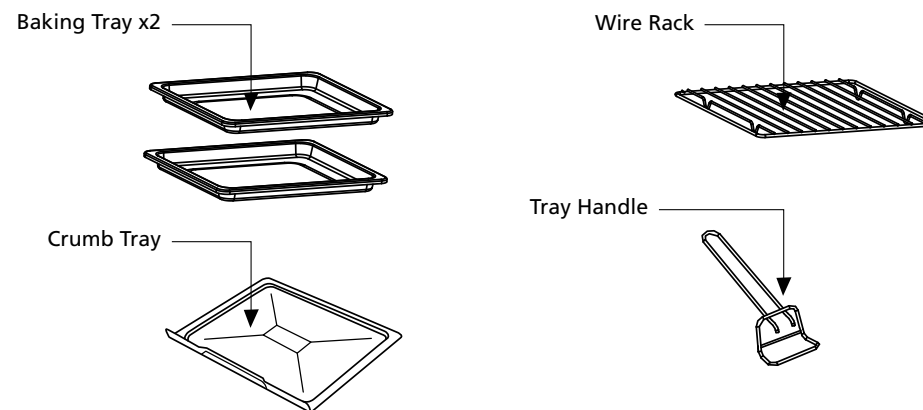
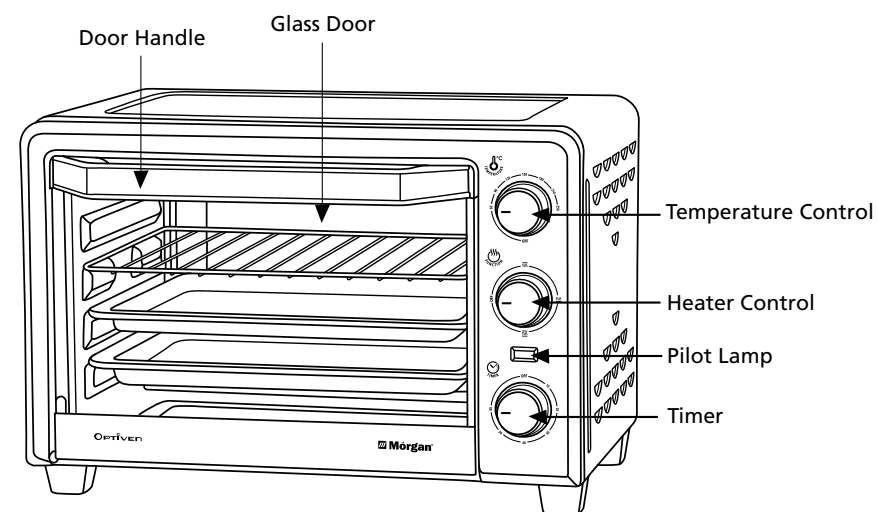
E-mail: [electrical.appliance@dksh.com](mailto:electrical.appliance@dksh.com)  
[www.morgan.my](http://www.morgan.my)

 [facebook.com/morganappliances](https://facebook.com/morganappliances)

# C O N T E N T S

- 3** Parts Identification
- 3** Specifications
- 4** Important Precautions
- 6** How To Operate
- 7** Care And Cleaning

## PARTS IDENTIFICATION



## SPECIFICATIONS

|                                  |                          |
|----------------------------------|--------------------------|
| <b>Model</b>                     | <b>MEO-HC23B</b>         |
| <b>Rated Voltage / Frequency</b> | <b>220-240V~ 50/60Hz</b> |
| <b>Rated Wattage</b>             | <b>1300W</b>             |
| <b>Capacity</b>                  | <b>20L</b>               |

## IMPORTANT PRECAUTIONS

When using any electrical appliance, basic safety precautions should always be followed, including the following:

- Read all instructions carefully
- When the appliance is in use, do not touch hot surfaces.
- To protect against electrical shock or burns, do not immerse unit, cord, or plug in water or other liquid
- Close supervision is necessary when appliance is used by or near the children.
- Unplug from outlet when not in use or before cleaning.
- Do not operate appliance with damaged cord, set, or plug. Any repairs should always be done by an experienced technician or by an authorized service centre.
- Do not use the appliance outdoor
- Do not allow power cord to hang over edge of the table or counter top, or come into contact with hot surfaces.
- Only use original accessories or equipment supplied by the manufacturer.
- If the power supply cord is damaged, it must be replaced by the manufacturer, its service agent or similarly qualified person in order to avoid hazard.
- When operating the oven, have at least four inches of open space on all sides of the oven to allow adequate air circulation.
- Do not place on or near a hot gas or electric burner, or in a heated oven.
- Do not operate your appliance under a wall cupboard, shelves or close to flammable materials such as blinds, curtains, etc.
- Grasp the plug and remove from the outlet. Do not unplug by yanking on the cord.
- Turn the appliance off before inserting or removing the plug from the outlet.
- In the event of food flare up, keep the door closed and unplug the appliance.
- Do not use appliance for other than its intended use.
- Never place any paper, cardboard or plastic into the oven and do not place anything on top of it.
- Do not allow grease to build up in the appliance.
- Do not use steel wool or any metallic scouring pad to clean the appliance.
- Do not cover the bottom or any other part of the oven with metal foil. This may cause the oven to overheat.
- Exercise extreme caution when removing tray or disposing of hot oil or other hot liquids.
- Do not store any materials other than manufacturer's recommended accessories in this oven when not in use.
- This appliance is intended for household use ONLY and not for commercial or industrial use. Use for anything other than intended will void the warranty.

## HOW TO OPERATE

### BEFORE USING FOR THE FIRST TIME:

1. Carefully unpack the oven making sure to remove all packing materials.
2. Wipe the oven and accessories with a damp cloth, and dry.
3. Remove all the accessories from the oven.
4. Fully unwind the removable cord and plug into power socket firmly.
5. Power on.
6. Close the oven door.
7. Set the thermostat to 250°C.
8. Allow to operate for 15 minutes.


**CAUTION:** Some smoke may appear. This is normal and will soon disappear as you use your oven.

### TEMPERATURE SETTING


1. The thermostat switch knob controls the thermostat that maintains the internal cavity temperature from 60°C to 250°C for various cooking functions.

### FUNCTION SETTING


#### 1. HOW TO BAKE

- a. Place the removable wire rack into its respective position and then place the baking pan on the wire rack. Close the oven door.
- b. Turn the timer switch knob to the desired cooking time.
- c. Turn the heater switch knob on the position (  ) and then turn the thermostat switch knob for the desired temperature.
- d. When baking is complete, turn the timer switch knob to "Off" to switch off the oven.

#### 2. HOW TO BROIL

- a. Insert the removable wire rack with food and the baking tray.
- b. Turn the heater switch knob on the position (  ) and then turn the thermostat switch knob to the desired temperature.
- c. Turn the timer switch knob to the desired broiling time.
- d. When finish broiling, turn the timer switch knob to position "Off" to switch off the oven.

#### 3. HOW TO TOAST

- a. Set the thermostat switch knob to 250°C.
- b. Turn the heater switch knob on the position (  ), and place food on the wire rack.
- c. Turn the timer switch control to desired toast level. You will hear the bell ringing once the toasting cycle completes.

#### 4. TIMER

Refer to the baking information list. Turn the knob clockwise to set the time.

## CARE AND CLEANING

- Allow appliance to cool down completely before cleaning. Unplug power cord from the power socket.
- To clean the exterior, always use a moist sponge. Avoid using abrasive products that could damage the finishing. Ensure water or soap do not seep into the oven through the vents positioned on top of the oven.
- The baking tray, wire rack and tray handle are dishwasher safe, in constant contact with food can be washed as with other kitchen ware, ensure everything is dry before storing.
- Never immerse the appliance in water or any other liquids.
- To clean the inner walls with a damp cloth, never use abrasive cleaners and never scrape the walls with sharp or pointed objects.