

 **Mórgan®**

USER MANUAL



Electric Oven

MEO-HC09

C O N T E N T S

3-4 Important Safeguards

4 Save These Instructions

5 Parts Identification

5 Specifications

6-7 Operating Instructions

7 Maintenance

7 Care And Cleaning

IMPORTANT SAFEGUARDS

When using electric appliances, basic safety precautions should always be followed, including the following:

1. Read all instructions.
2. Do not touch hot surfaces. Use handle or knobs.
3. Close supervision is necessary when any appliance is used by or near children.
4. To protect against electric shock, do not immerse cord, plug, or any parts of the oven in water or other liquids.
5. Do not let cord hang over edge of table or counter, or touch hot surfaces.
6. Do not operate appliance with damaged cord or plug or after the appliance malfunctions, or has been damaged in any manner, return appliance to the nearest Authorized Service Center for examination, repair, or adjustment.
7. The use of accessory attachments not recommended by the appliance manufacturer may cause hazard or injury.
8. Do not place on or near a hot gas or electric burner, or in a heated oven, or in a microwave oven.
9. When operating the oven, keep at least 12 cm of space on all sides of the oven to allow for adequate air circulation.
10. Unplug from outlet when not in use, or before cleaning. Let it to cool before putting on or taking off parts, or before cleaning.
11. Extreme caution must be used when moving an appliance containing hot oil or other hot liquids.
12. Do not cover CRUMB TRAY or any part of the oven with metal foil. This may cause overheating of the oven.
13. Use extreme caution when removing tray or disposing of hot grease or other hot liquids.
14. Do not clean with metal scouring pads. Pieces can break off the pad and touch electrical parts, creating a risk of electric shock.
15. A fire may occur if the oven is covered or touching flammable material, including curtains, draperies, walls, and the like, when in operation. Do not store any item on the oven during operation.
16. Extreme caution should be exercised when using containers constructed if anything other than metal or glass.
17. Do not place any of the following materials in the oven: cardboard, plastic, paper, or anything similar.
18. Do not store any materials, other than manufacturer's recommended accessories, in this oven when not in use.
19. Always attach plug to appliance first, then plug cord into the wall outlet. To disconnect, turn any control to "off", then remove plug from wall outlet. Always hold the plug, but never pull the cord.

IMPORTANT SAFEGUARDS

20. Always wear protective, insulated oven mitts when inserting or removing items from the hot oven.
21. This appliance has a tempered, safety glass door. The glass is stronger than ordinary glass and more resistant to breakage. Avoid scratching door surface or nicking edges. If the door has a scratch or nick, contact our consumer relations line before using the oven.
22. Do not use outdoors.
23. Do not use appliance for other than intended use.
24. This appliance is for HOUSEHOLD USE ONLY.
25. The accessible surfaces are liable to get hot when the appliance is operating.
26. Glass Door cannot support goods in the fully open position.
27. The appliance is not intended to be controlled by an external timer or separate remote-control system.
28. This appliance is not intended for use by persons (including children) with reduced physical, sensory or mental capabilities or lack of experience and knowledge, unless they have been given supervision or instruction concerning use of the appliance by a person responsible for their safety.
29. Children should be supervised to ensure that they do not play with the appliance.
30. For appliance with type Y attachment, if the supply cord is damaged, it must be replaced by the manufacturer, its services agent or similarly qualified persons in order to avoid a hazard.
31. The weight of the food which is put on the Food Tray/Grill Rack can not be over 2.0kg. (just for reference) (The food can not concentrate on one side of the Food Tray/Grill Rack, you would better try your best to make the food put on the Food Tray/Grill Rack evenly).

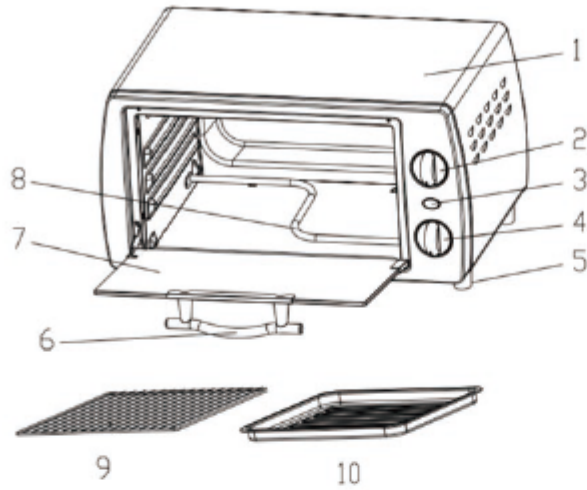
SAVE THESE INSTRUCTIONS

BEFORE USING YOUR ELECTRIC OVEN

Before using your electric oven for the first time, be sure to:

1. Read all instructions included in this manual.
2. Make sure oven is unplugged and Timer Knob is in the Off position.
3. Remove all racks and pans. Wash the racks and pans in hot sudsy water or in dishwasher.
4. Thoroughly dry all accessories and re-assemble in oven. Plug oven into outlet and you are ready to use your new Electric Oven.
5. After re-assembling your oven, we recommend that you run it at MAX temperature for approximately 15 minutes to eliminate any packing oil that may remain after shipping.

PARTS IDENTIFICATION



NAME OF PARTS

1. Housing
2. Temperature knob
3. Indicator light
4. Timer knob
5. Oven foot
6. Door handle
7. Door glass
8. Heating element
9. Baking wire
10. Baking tray

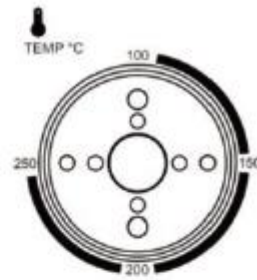
SPECIFICATIONS

Model	MEO-HC09
Rated Voltage / Frequency	220-240V~ 50Hz
Rated Wattage	800W
Capacity	9L

OPERATING INSTRUCTIONS

TEMPERATURE SETTING

Turn the Temperature knob clockwise to the desired temperature setting. The Temperature can be set from 100°C to 250°C



TIME SETTING

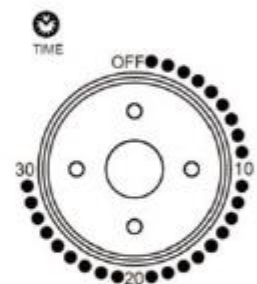
0-30 MINUTES: The Timer can be set up to 30 minutes.

The oven will not turn on without the timer being set.

When the Time knob is in the "off" position, the oven will not operate. To set the time, turn the knob clockwise to the desired time.

Indicator Light is on only when Time has been set.

When the Timer has reached the OFF position, a bell sound will be heard. Power supply will be cut off automatically.



ADJUSTING TIME

Timer can be change during cooking cycle. Just turn the timer knob to the desired time and continue cooking.

NOTE: To select the cooking time, less than 10 minutes first rotate the timer knob more than 10 minutes, and then turn the switch back to the time you require.

MAINTENANCE

This appliance requires little maintenance. It contains no user serviceable parts. Do not try to repair it yourself. Contact a qualified appliance repair technician if the product requires servicing.

CARE AND CLEANING

CLEANING INSTRUCTIONS

ALWAYS UNPLUG OVEN AND ALLOW TO COOL BEFORE CLEANING

To protect against the risk of electrical shock, do not immerse the unit, cord or plug in water or other liquid.

- Your oven features a Quick-Clean coating. If desired, wipe walls with damp cloth and moistened with mild detergent. **DO NOT USE STEEL WOOL SCOURING PADS OR ABRASIVE CLEANERS OR SCRAPE WALLS WITH METAL UTENSILS, AS THIS MAY DAMAGE THE Quick-clean INTERIOR.**
- Wash all accessories in hot sudsy water or in a dishwasher. Wipe the door clean with a damp cloth and wipe dry with a paper or cloth towel. Clean exterior with damp cloth. **DRY ALL PARTS AND SURFACES THOROUGHLY PRIOR TO PLUGGING OVEN IN AND USING.**

TO STORE

- Unplug unit, allow to cool, and clean before storing. Store Electric Oven in its box in a clean, dry place. Never store appliance while it is hot or still plugged in. Never wrap cord tightly around the appliance. Do not put any stress on the cord where it enters the unit, as it could cause the cord to fray and break.



ENVIRONMENT FRIENDLY DISPOSAL

DISPOSAL: Do not dispose this product as unsorted municipal waste. Collection of such waste separately for special treatment is necessary.

 **Mórgan®**

<p>Market Expansion Services by www.dksh.com</p>	 DKSH
--	---

E-mail: electrical.appliance@dksh.com