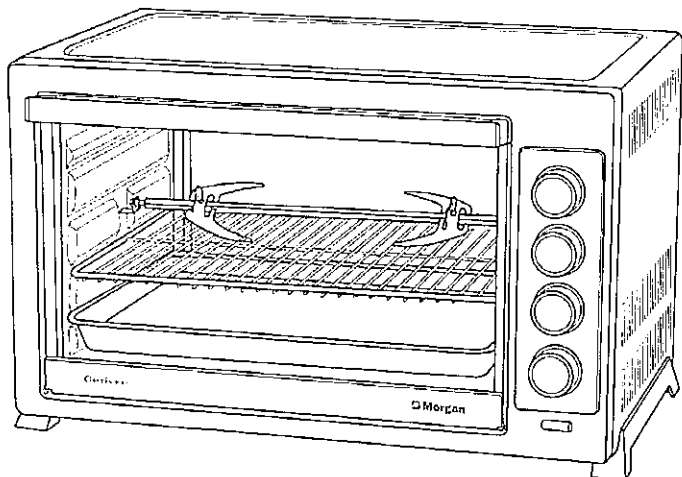


# **Mórgan®**

## USER MANUAL



# Electric

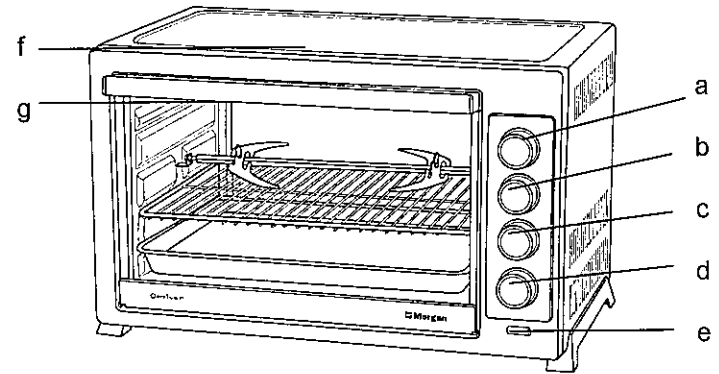
# Oven

**MEO-601RC**

# CONTENTS

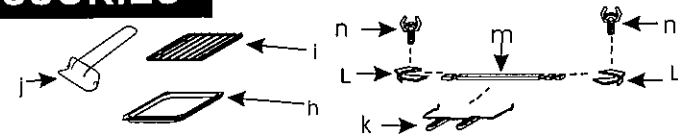
# PARTS IDENTIFICATION AND SPECIFICATIONS

- 1 Parts Identification
- 2 Specifications
- 3 Safety Precautions
- 4 Before Using Your Electric Oven
- 5 Operating Instructions
- 6 Care and Cleaning



- a. Function control knob
- b. Thermostat control knob
- c. Heater control knob
- d. Timer control knob
- e. Indicator Light
- f. Housing
- g. Handle

## ACCESSORIES



- h. Baking tray
- i. Wire rack
- j. Tong
- k. Rotisserie handle
- l. Butterfly skewer
- m. Rotisserie bar
- n. Thumbscrews

## SPECIFICATIONS

RATED VOLTAGE / FREQUENCY	220-240V~ / 50-60Hz
RATED WATTAGE	2200W
CAPACITY	60L

When using the appliance, especially when children are present, basic safety precautions should always be followed including the following:

1. Do not use the appliance on carpet or plastic surfaces, which may lead to accidents.
2. Do not leave appliance unattended when plugged in. Switch off the power outlet when appliance is not in use.
3. Ensure the electrical cord does not hang over the work surface.
4. This product must not be left unattended while it is connected to the main supply.
5. Do not touch the oven to avoid burns/scalds after operating the appliance.
6. Do not immerse the appliance into water or other liquids.
7. Do not use the appliance outdoor.
8. Close supervision is required when used near children.
9. The oven must be kept at a distance of 4 inches or more from other objects around it in order to avoid damaging items adjacent to it.
10. Always place appliance on a flat sturdy surface.
11. Do not operate appliances with damaged power cord set, or plug. Any repairs should always be performed by an experienced technician or by an authorized service centre.
12. Use only accessories or equipment supplied by the manufacturer.
13. Extreme caution should be exercised when using containers made of the following materials in the oven: paper, cardboard, plastic or similar products.
14. Do not cover baking tray or any part of the oven with metal foil as this will cause the oven to overheat.
15. Do not attempt to dislodge food particles when the appliance is plugged into power outlet.
16. This appliance is not intended for use by persons (including children) with reduced physical, sensory or mental capabilities, or lack of experience and knowledge, unless they have been given supervision or instruction concerning use of the appliances by a person responsible for their safety.

1. Wash the oven accessories with mild soapy water, then rinse and allow it to dry thoroughly. Use a damp cloth to lightly wipe the interior of the oven.
2. Replace wire racks and other accessories to the desired positions inside the oven.
3. Heat the oven at its highest temperature setting for approximately 5 minutes. An odour may be detected. This is normal and the odour should dissipate within a few minutes.
4. Turn off the oven and let the oven cool.

**OPERATING INSTRUCTIONS**


1. Set the thermostat control to "Max".
2. **Setting the function control:** Insert the pointed end of SPIT through the skewer, ensuring the skewer face points in the same direction as the pointed end of the spit. Slide towards square of the spit and secure with the thumbscrew provided.
3. Place food into the spit by running the spit directly through the centre of the food.
4. Place the second skewer into the other end of the roast or poultry and secure skewer with the thumbscrew.
5. Insert the pointed end of the spit into the drive socket and ensure the square end of the spit rests on the spit support.
6. Turn the timer control to the desired cooking time.
7. When complete, turn the timer control knob to the "Off" position.
8. Remove the spit by placing side the hooks of the rotisserie handle under the grooves on either side of the spit. Lift the left side of the spit first by lifting it up and out. Then, pull the spit out of the driver socket and carefully remove the roast from the oven. Take the meat off from the spit and place on cutting board or platter.

## TEMPERATURE SETTINGS

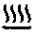
1. The temperature selector controls the thermostat which maintains the internal cavity temperature from 0°C to 250°C for the various cooking functions.

## FUNCTION SETTINGS


### 1. How to bake

- a. Place the removable rack into desired position and then place the baking pan on the wire rack. Close the oven door.
- b. Turn the timer knob to the desired cooking time.
- c. Turn the heater control knob on the position  and then turn the thermostat knob to the desired temperature.
- d. When baking completes, turn the timer knob to "Off" to switch off the oven.

### 2. How to broil

- a. Insert the removable wire rack with food and the multi-purpose pan. Keep the door half-open.
- b. Turn the heater switch knob to position  and then turn the thermostat knob to the desired broiling time.
- c. When broiling completes, turn the timer knob to position "Off" to switch off the oven.

### 3. How to Roast

- a. Set the temperature control to 230°C.
- b. Turn the heater switch knob to position , then place the food on the wire rack.
- c. Turn the timer control to desired darkness. The bell will sound when the toasting cycle has completed.

### 4. How to use Rotisserie Function

- a. Set the thermostat control to the maximum temperature.
- b. Place the baking tray on the lower position.
- c. Insert the pointed end of spit ("m") through butterfly skewer ("l"), making sure the points of skewer face in the same direction as pointed end of the spit. Slide towards square of the spit and secure with thumbscrew ("n").
- d. Place food to be cooked on the spit by running the spit directly through the center of the food.
- e. Place the second skewer into the other end of the spit and secure skewer with the thumbscrew.
- f. Check the food is centered on the spit.
- g. Insert the point end of the spit into the DRIVE SOCKET. Ensure that the square end of the spit rests on the spit support.
- h. When complete, turn the control knob to use TOP HEATING with the rotisserie function.

## HOW TO CLEAN

1. Always unplug the appliance after use and allow the appliance to cool down thoroughly.
2. Use a damp cloth or sponge to clean the interior and exterior surfaces. Do not immerse the inside of the oven or wash it under running water as this will seriously damage the appliance.
3. The accessories can be cleaned in warm, soapy water.

 **Mórgan®**

Market Expansion  
Services by  
[www.dksh.com](http://www.dksh.com)



**DKSH**

E-mail: [electrical.appliance@dksh.com](mailto:electrical.appliance@dksh.com)  
[www.morgan.my](http://www.morgan.my)