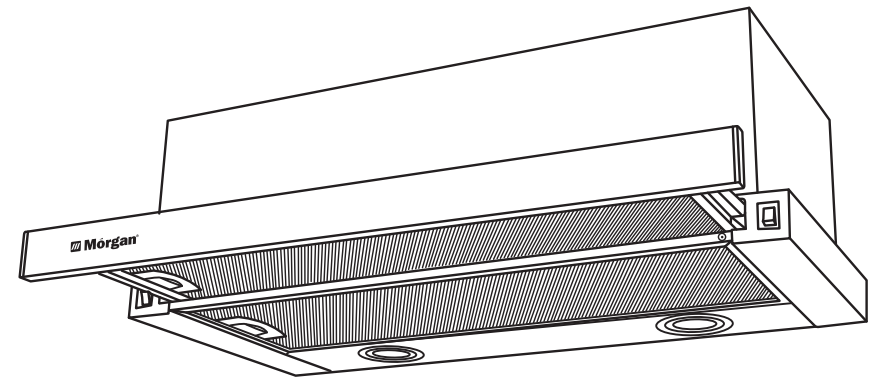


# **Mórgan®**

## USER MANUAL

# **Mórgan®**



## **Range Hood**

**MDH-PD60  
MDH-PD90**

Market Expansion  
Services by  
[www.dksh.com.my](http://www.dksh.com.my)



E-mail: [electrical.appliance@dksh.com](mailto:electrical.appliance@dksh.com)  
[www.morgan.my](http://www.morgan.my)

 [facebook.com/morganappliances](https://facebook.com/morganappliances)

# C O N T E N T S

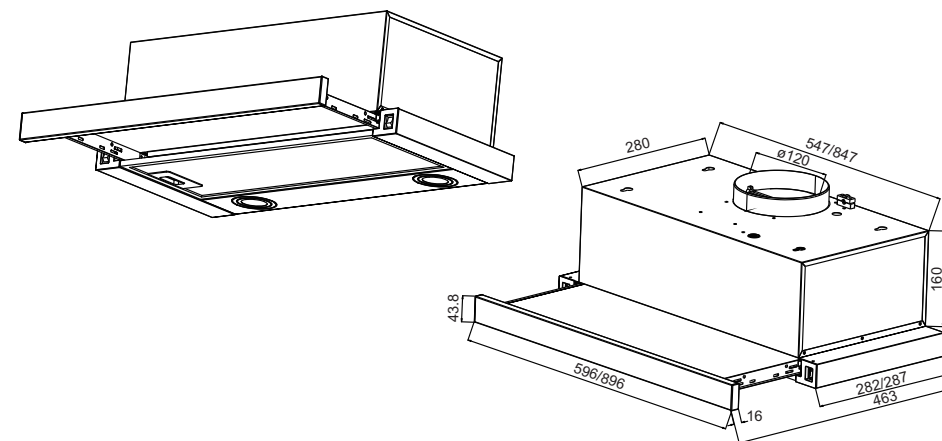
3	INSTALLATION
4	HOOD INSTALLATION DIAGRAMS
5	OPERATION INSTRUCTIONS
5	FILTER INSTALLATION
6	CARE & CLEANING
7	TROUBLESHOOTING

Thank you for purchasing a quality MORGAN appliance. We trust that you will have a pleasant experience with your new product. To guarantee safety and best efficiency, please read this manual carefully and keep a copy for future reference.

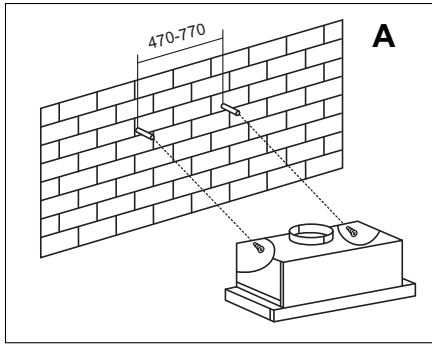
## INSTALLATION

During hood installation there are a series of important factors to be taken into consideration, as outlined below:

- Ensure all the technical information appearing on the specification plate corresponds to the characteristics of the power supply in question (voltage and frequency).
- Comply with your local regulation's electrical installation and evacuation of gases at all times.
- Ensure the unit is connected to the power supply via a suitable omnipolar switch with a 3mm minimum gap between contacts.
- Do not connect the appliance to ducts used for gas evacuation of a non-electrical nature, such as boilers, chimneys etc.
- Do not operate the appliance if the power cord or control panel appear to be damaged in any way.
- Once the unit has been installed, ensure that the power cord does not come into contact with sharp metal edges.
- **IMPORTANT:** Minimum distances between the hob and hood should be strictly observed:
  - 60 cm for electric hobs
  - 70 cm for gas and mixed hobs.
- For optimum performance, the outlet duct should not exceed 4 metres in length, nor have more than two 90° bends, and its diameter should be at least 120mm.

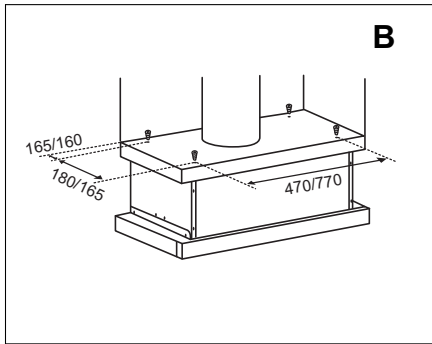


Two ways for installation (refer to diagrams A & B)



### WALL INSTALLATION

- Top edge of hood supported on wall) Two 8mm Ø drill holes



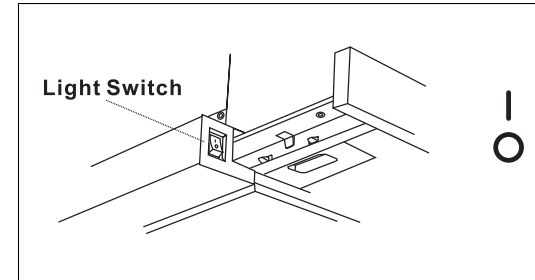
### UNDER CABINET INSTALLATION

- Opening for smoke exhaust

### NOTE:

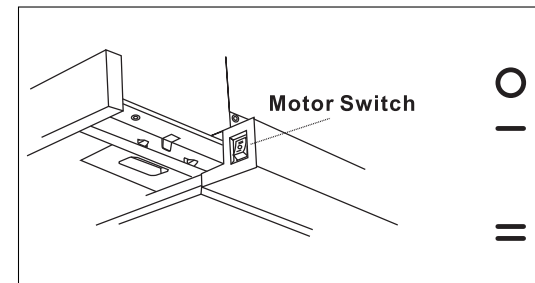
- Extensible pipes are optional accessories & not supplied.
- Remove protection file before installation.

Two ways for installation (refer to diagrams A & B)



### LIGHTING SYSTEM SWITCHES

- Power ON/OFF

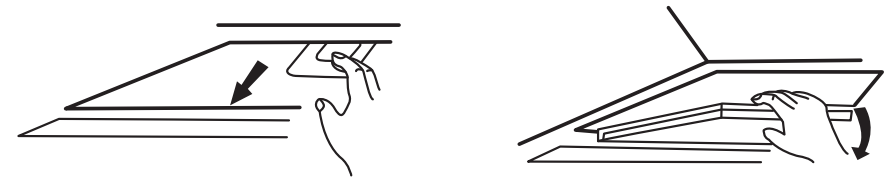


### SWITCH OFF HOOD

- **LOW SPEED** for continuous & air change in the presence of light cooker vapour
- **HIGH SPEED** for eliminating high cooker vapour emission, including long duration use

# FILTER INSTALLATION

Detach the grease filter first before installing the activated carbon filter. Press on the lock and pull it downwards.



### NOTE:

Ensure filter is securely locked. A loose filter may pose a safety risk.

**It is advisable to power OFF the unit and disconnect the power plug from the power supply before cleaning.**

## REGULAR CLEANING

- Use a soft cloth moistened with hand-warm mildly soapy water or mild household cleaning detergent.
- Never use metal pads, chemical, abrasive material or stiff brush to clean the unit.

## MONTHLY GREASE FILTER CLEANING

- **ESSENTIAL:** Monthly cleaning of the grease filter can help to prevent the risk of fire.
- The grease filter collects grease, smoke and dust. As such, the filter is directly affecting the efficiency & performance of the cooker hood. If not cleaned, grease residue (potentially flammable) will saturate on the filter.
- Clean it with mild household cleansing detergent.

## ANNUAL CLEANING FOR ACTIVATED CARBON FILTER

- Apply **SOLELY** to unit that is installed as a recirculating unit (not vented to the outside).
- This filter traps odours and must be replaced at least once a year, depending on the usage frequency.

## BULB REPLACEMENT

- Power OFF the unit off and disconnect power plug from the power supply.
- Detach the lamp cover by unscrewing the 2 screws.
- Unscrew the light bulb.
- Replace with the same type and rated bulb/lamp.


PROBLEM	POSSIBLE CAUSE(S)	SOLUTION
Light is powered on but fan is not working	Fan blade is jammed/obstructed	Power OFF unit & contact your authorised exhaust technician
Both light & exhaust fan not working	Burnt light bulb	Replace light bulb
	Loose power cord	Detach power cord & connect again
The unit is vibrating uncontrollably	Fan blade is jammed	Power OFF unit & contact your authorised technician
	Fan motor not securely installed	
	Unit is not securely attached to the bracket	Disassemble the unit & inspect ensure bracket is securely installed
Weak suction performance	Placement distance between hood & cook place is too far apart	Readjust distance to 65cm – 75cm

## ENVIRONMENTAL PROTECTION

Waste electrical products should not be disposed of with household waste. Please recycle where facilities exist. Check with your Local Authority or retailer for recycling advice.

This appliance is marked according to the European directive 2002/96/EC on Waste Electrical and Electronic Equipment (WEEE).

By ensuring this product is disposed of correctly, you will help prevent potential negative consequences for the environment and human health, which could otherwise be caused by inappropriate waste handling of this product.

The symbol  on the product indicates that this product must not be treated as household waste. Instead it shall be handed over to the applicable collection point for the recycling of electrical and electronic equipment. Disposal must be carried out in accordance with local environmental regulations for waste disposal.

For more detailed information about treatment, recovery and recycling of this product, please contact your local city office, your household waste disposal service or the shop where you purchased the product.