

 **Mórgan®**

 **Mórgan®**

Market Expansion
Services by
www.dksh.com.my

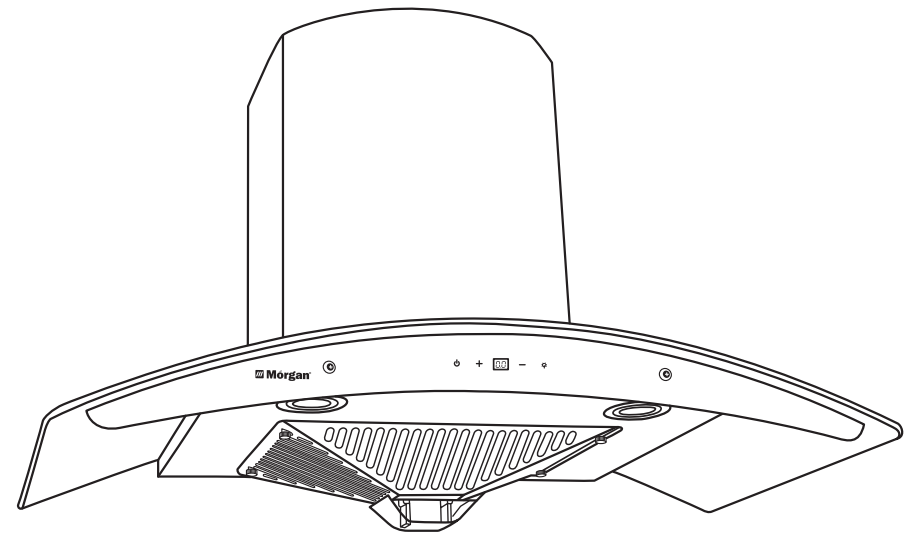


DKSH

E-mail: electrical.appliance@dksh.com
www.morgan.my

 [facebook.com/morganappliances](https://www.facebook.com/morganappliances)

USER MANUAL



Designer Hood

MDH-921STOC

C O N T E N T S

- 3** IMPORTANT NOTES
- 3** SPECIFICATIONS
- 4** INSTALLATION
- 5** OPERATING INSTRUCTIONS
- 5** IMPORTANT
- 6** CONTROL PANEL
- 7** MAINTENANCE AND CLEANING

IMPORTANT NOTES

Thank you for purchasing a quality MORGAN range hood. We trust that you will have a pleasant cooking experience with your new product. To guarantee safety and best efficiency, please read this manual carefully and keep a copy for future reference.

ATTENTION

This user manual includes general instructions for the installation, use and maintenance of your range hood.

It will be extremely useful to know the operation of the appliance so that you will enjoy the benefits of it and assure you the best results.

Keep this user manual handy.

SPECIFICATIONS

DIMENSIONS

WIDTH (CANOPY)	900mm
HEIGHT (WITH CHIMNEY)	450+400mm
DEPTH (CANOPY)	500mm

SPECIFICATIONS

MODEL	MDH-921STOC
MATERIAL	Black Stainless Steel + Black Tempered Glass
VOLTAGE / FREQUENCY	240V~ 50Hz
TRANSMISSION STYLE	Single Motor
LED LIGHTING POWER (LAMP)	2 x 1.5W
CONTROL	3 Speed Digital Touch Switch
FILTER	2 x Washable double Layers Tower Type Baffle Filter
MOTOR SPEED (rpm)	3 Speed (H: 1300 Mid: 1100 Low: 950)
MOTOR POWER	221W
EXTRACTION CAPACITY	1300m³/hr

INSTALLATION

INSTALLERS GUIDE

- The appliance must be installed by qualified professionals only.
- Before installing the range hood, ensure that the appliance is correctly preset for the local conditions (voltage and power plug).
- For safety reasons, remove all packing materials (plastic bags, screws, metal strips etc.) and keep them away from the reach of young children.
- Do not attempt to alter or modify the technical features of the range hood as this can pose a safety hazard. The manufacturer will not be responsible for eventual damages, due to failure to observe the above instructions.
- This range hood has been designed to be wall-mounted above a Gas stove/Hob. Before commencing installation, consideration should be given to how the installation is to be carried out, and ensuring adequate space and clearances above the Gas stove/Hob.
 - a) Position of the flue.
 - b) Availability of earthed power.
 - c) The mechanical strength of supporting structures.
- We will always supply the best quality materials and we are confident that you will be satisfied with our product.

INSTALLATION

1. Use an electrical drill a diameter of 8mm.
2. Locate the two screw holes for the mounting brackets. The screw holes must be perfectly horizontal, and the centre hole must be aligned with the proposed centre of the range hood.
3. Drill the holes and insert the wall plugs.
4. Secure the wall bracket to the top two holes drilled in the previous step using the screws provided.
5. Rivet the flexible ventilation pipe to the cover with the screws to hang the main frame.
6. Install the flexible pipe. Ensure the pipe is kept in its natural state. Ensure the joint is air-proof. Minimize the number of bends and elbows to maximize the efficiency of the appliance.

Notes:

- **The wall shutter is not included in the carton.**
- **The range hood can be ducted through a roof or through a wall.**

OPERATING INSTRUCTIONS

FIRST TIME OPERATING INSTRUCTIONS

It is recommended to follow these instructions before operating it for the first time:

1. Install the oil cup by inserting it from the back to the front.
2. Insert the power plug into the power supply. A beep will be heard when first switched on.
3. Press the power on. Press the lamp button lightly. Test to see if the lamp functions properly.
4. Press the lamp button to switch off.
5. Press the fan speed buttons to ensure that the motor functions properly.

IMPORTANT

Shut off power completely if the following abnormalities are found during the above test:

1. Mainframe shakes
2. Inflated pipe becomes flexible
3. Motor makes an abnormal noise.
 - Press the power switch to stop operations.
 - Any repairs (including damage to main supply) should be repaired by an approved service technician. It is **IMPORTANT** that only original parts should be used.
 - Failure to follow the advice can affect the safety of your appliance.

IMPORTANT

1. Any installation work must be carried out by a qualified professional or competent person.
2. Install the side suction range hood on the wall above the Gas Stove/Hob firmly. Ensure a distance of at least 350mm between the range hood and the Gas Stove/Hob. Install the top suction with curve glass. Ensure a distance of at least 700-900mm between the hood and hob.
3. Ensure that the ventilation pipe can reach the open air or enter into a cold air suction flue and check the joints are airtight.
4. Earth the power supply (to be performed by a qualified electrician only).
5. The gas expelled from the range hood should not be discharged into the flue which is used to discharge the smoke produced by burning coal gas or other fuels.

CONTROL PANEL



FROM LEFT TO RIGHT KEYS:

K1 Power K2 +speed K3 -speed K4 Light

1. Connect the hood to electricity power, hood switch display zone will illuminate, and the buzzer will sound. After 5 seconds, the display light will be turned off and will be in standby mode.
2. K1 power: Press K1, the speed keys will be available. When the motor is running, press K1 and hold to select the delay timer function. The timer can be adjusted from 0-99 minutes by pressing both K2 and K3 keys, either to fast add or subtract selected times. After selecting the desired time, it will illuminate and enter into the delay timer mode. Pressing K1 again will terminate the delay timer function.
3. K2 + speed: with power turned on, press K2 to increase the speed, from 00-F3 circularly.
4. K3 -speed: with power turned on, press K3 to decrease the speed, from 00-F3 circularly.
5. K4 Light: the light function works independently.

MAINTENANCE & CLEANING

1. Clean the mainframe and the filters regularly.
2. There are two variations of inlet filters on these models. Both are removable by pulling the lever on the adage of the filters and lifting them out of the slots which hold them.
3. Wash the filters in a dishwasher, or by hand using household dishwashing liquid and clean it with a soft brush.
4. Allow filters to dry thoroughly before reinstalling them.
5. When reinstalling, ensure the filters are inserted in their correct positions.
6. Wipe excess dirt on the mainframe with a wet cloth and mild detergent. Wipe dry using a clean towel.
7. Do not use abrasive cleaners or other harsh cleansing agents as these will damage the surface.
8. Commercial stainless steel cleaning products are available for cleaning stubborn stains.
9. Wash the grease filters on a regular basis. It is recommended to wear gloves during cleaning.
10. Empty the oil and wash it clear before the oil cup is full.
11. Empty excess oil when the oil reaches 2/3 inside the oil cup.
12. If the range hood is unused for a long period of time, unplug it from the power supply.
13. Ensure power is turned off when cleaning the range hood to prevent accidents.