

 **Mórgan[®]**

 **Mórgan[®]**

Market Expansion
Services by
www.dksh.com.my

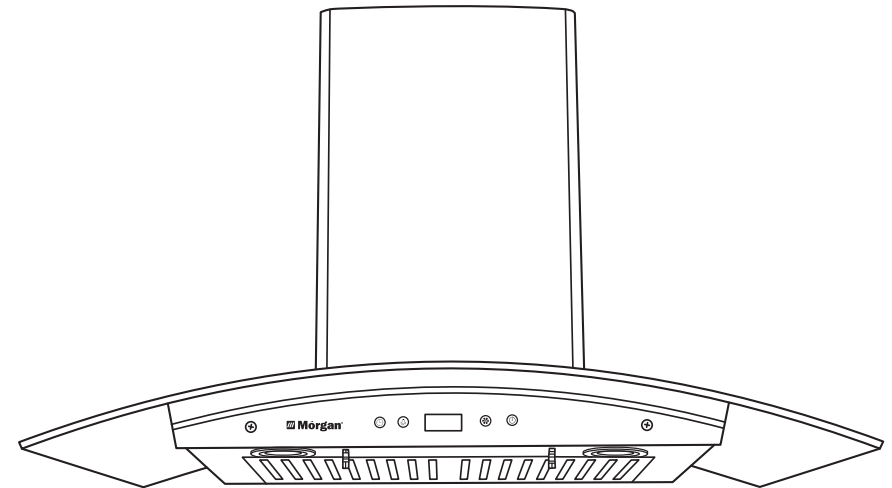


DKSH

E-mail: electrical.appliance@dksh.com
www.morgan.my

 facebook.com/morganappliances

USER MANUAL



Designer Hood

MDH-915ST



C O N T E N T S

4 PARTS IDENTIFICATION AND SPECIFICATION

5 SAFETY PRECAUTIONS

6-8 INSTALLATION

9 OPERATING INSTRUCTIONS

10 CLEANING AND MAINTENENCE

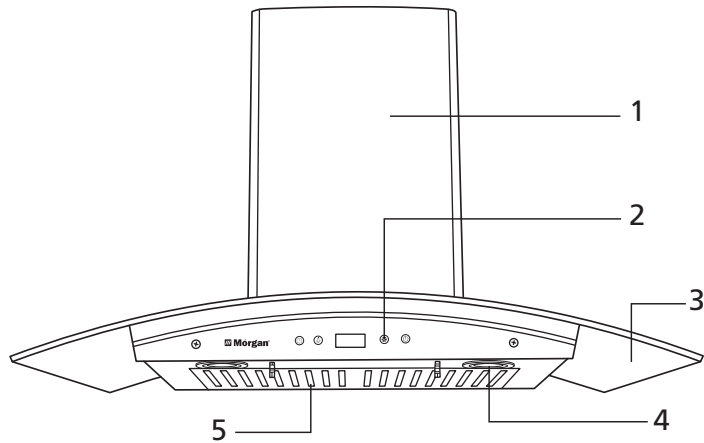
11 TROUBLESHOOTING



Thank you for purchasing a quality MORGAN appliance. We trust that you will have a pleasant experience with your new product. To guarantee safety and best efficiency, please read this manual carefully and keep a copy for future reference.

PARTS IDENTIFICATION AND SPECIFICATION

1. Hood
2. Control Panel
3. Glass Panel
4. Lamp
5. Filter



DIMENSIONS

WIDTH (CANOPY)	900mm
HEIGHT (WITH CHIMNEY)	500+480mm
DEPTH (CANOPY)	500mm

SPECIFICATIONS

MODEL	MDH-915ST
MATERIAL	Stainless Steel + Tempered Glass
VOLTAGE / FREQUENCY	220-240V~ 50/60Hz
TRANSMISSION STYLE	Single Motor
LED LIGHTING POWER (LAMP)	2 x 1.5W
CONTROL	3 Speed Touch Switch
FILTER	Baffle Filter
MOTOR SPEED	3 Speed
MOTOR POWER	200W
EXTRACTION CAPACITY	1200m³/hr

SAFETY PRECAUTIONS

Before starting the installation, consideration should be given to the difficulties to be found during installation. Installation must be undertaken by a qualified and competent person conforming to the rules concerning the evacuation of contaminated air. The manufacturer disclaims all liability for any damage or injury caused because of not following the instructions for installation contained in the following text.

1. Always ensure that the appliance is disconnected from the power supply and allow it to cool down completely before cleaning and do not unplug the appliance with wet hands.
2. Before connecting to the power supply ensure that the power voltage corresponds with the voltage on the rating plate inside the hood.
3. Ensure that the installation of any earthing cable is not connected to water pipes, lightning rod or telephone lines to avoid electric shock.
4. Ensure that the wall must have sufficient strength to support the weight of the appliance.
5. Ensure that the appliance is horizontally.
6. Distance between exhaust holes on the wall shall be less than 1.5m. Do not install the exhaust pipe too high to avoid oil flowing backwards.
7. Ensure that the room is has adequate ventilation when operating the appliance.
8. The air exhaust from this appliance should not be channeled to the flue of burning gas or other fuels.
9. If the power cord is damaged, it should be inspected and repaired by a suitably qualified technician or returned to the manufacturer for further action.
10. Always turn off the power supply when replacing lamps. New lamps must be the same specification as the current ones.
11. It is dangerous to alter the specifications or to modify this appliance in any way. Do not tamper with it or attempt to alter it in the attempt to customize it further.
12. This appliance is not intended for use by persons (including children) with reduced physical sensory or mental capabilities, or lack experience and knowledge, unless they have given supervision or instruction concerning the use of the appliance by a person responsible for their safety.
13. Children should be supervised to ensure that they do not play with the appliance and its parts and accessories.
14. Educate children about the danger and safety rules associated with operating electrical appliance.
15. Do not operate any appliance with a damaged cord or plug, or after the appliance malfunctions or has been damaged in any manner. Repairs and services should only be carried out by suitably qualified technicians or by the authorized service center.

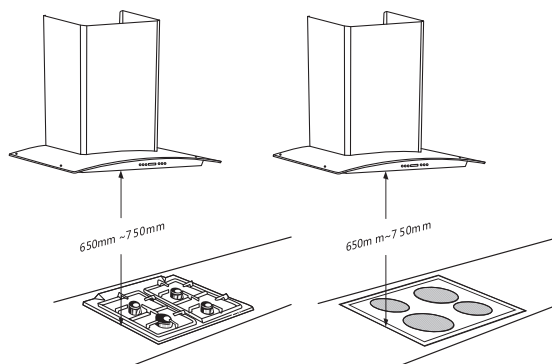
INSTALLATION

1. INSTALLATION

- DO NOT earth the appliance to any water pipes, lightning rod or telephone lines or come into contact with steel and wires to avoid the risk of electric shock.
- This appliance must be properly earthed to avoid electric shocks in the event of electricity leakage.
- Ensure that the power supply system in your home (current, voltage, connecting wires) meets the requirements of the appliance's power supply load.
- DO NOT use high capacity fuse in electrical circuit. Always select the correct ones as specified on the rating label.

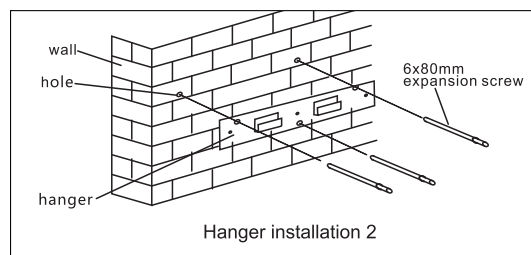
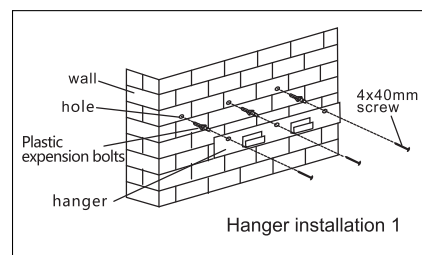
2. PRECAUTIONS BEFORE INSTALLATION

- **WALL:** Ensure the wall that the appliance is to be mounted must be hard enough to bear the weight of the appliance.
- **HEIGHT OF MOUNTING:** The recommended mounting height should preferably be 650-750mm above the cooking stove but is subject to the construction of the user's kitchen dimensions.

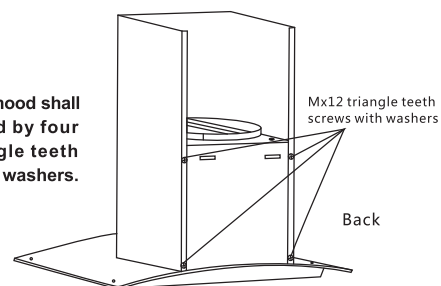


3. INSTALLATION HANGER

- Measure the installation height by marking the position of the hanger on the wall. Drill holes for fixing hanger and insert plastic expansion bolts into the holes to enhance the hanger.



Note: 103M hood shall be installed by four Mx12 triangle teeth screws with washers.

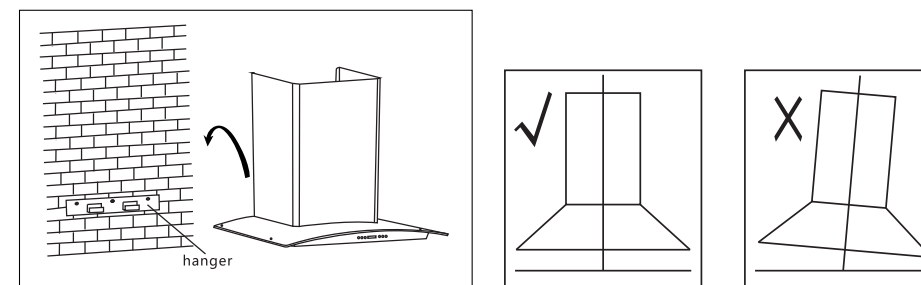


INSTALLATION

4. PRODUCT INSTALLATION (SINGLE HOOD)

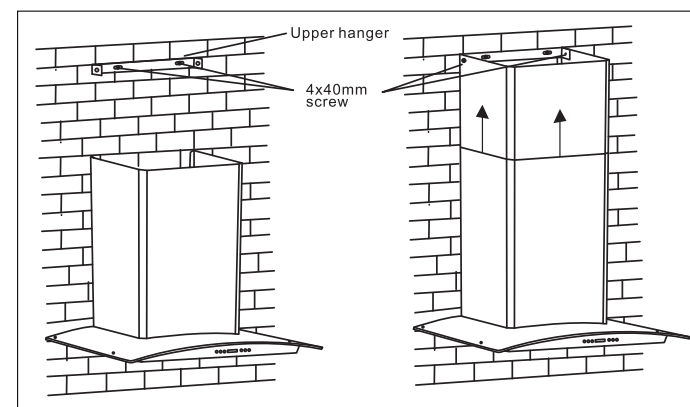
- Align the appliance to the hanger holes and secure the appliance on the wall.
- Connect the one end of exhaust pipe diameter 153mm to exhaust hole of appliance and the other end connect to the exhaust outlet.

Note: Ensure that the range hood is hanging vertically and horizontally. Do not tilt it.



5. PRODUCT INSTALLATION (DOUBLE HOOD)

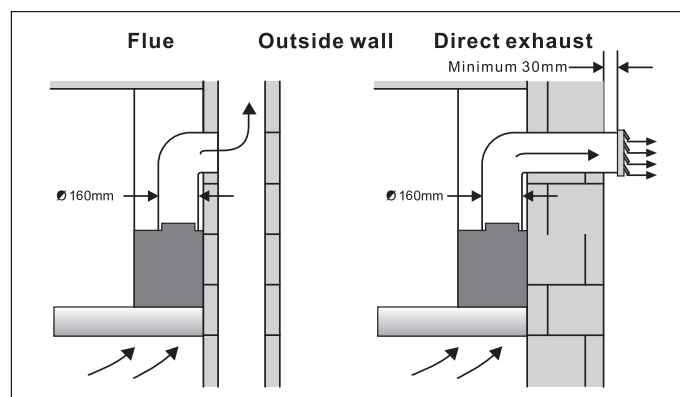
- Loosen screws and align the appliance to the hanger holes and secure the appliance on the wall.
- Align the upper hood to the proper position.
- Mark the position of the upper hood screw holes at upper side on the wall. Put the upper hood back.
- Mark the position of the upper hanger side holes. Mark the position of two middle holes of upper hanger.
- Drill marking holes, insert plastic expansion bolts, fix upper hanger, install exhaust pipe on exhaust outlet, secure appliance, connect the exhaust pipe to air outlet of the kitchen, pull the upper hood upwards and secure the side holes with screws.



INSTALLATION

6. EXHAUST PIPE CONNECTING TO THE WALL OUTSIDE

- The other head of exhaust pipe should be connected to the hole of wall outside (Diameter of the hole should be 85mm)



7. CHECKING AND TESTING

- After installation, connect appliance to the power supply and turn on the appliance. Check if all functions of the appliance are working normally, i.e. no vibration and no exhaust resistance.

OPERATING INSTRUCTIONS

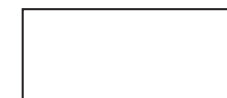
CONTROL PANEL



Timer



Lamp



Speed



Power

FUNCTION ILLUSTRATION

1. TO SET THE CLOCK:

- When the appliance is connected to the power supply, the display will show 12:00.
- Touch the "TIMER" button and hold for 2-3 seconds.
- The "12" on the hour side will start flashing. Touch "LAMP (-)" and "SPEED (+)" button to set hour.
- Then touch the "TIMER" button again and "00" on the minute side will start flashing.
- Touch "LAMP (-)" or "SPEED (+)" to set the minute.
- Touch the "TIMER" button and time be set.

NOTE: The timer setting will need to be reset again in the event of a power interruption.

2. OPERATING THE APPLIANCE:

- Touch the "ON/DELAY" button. The appliance will enter standby mode.
- The blower has three speeds - "SLOW", "MEDIUM" and "HIGH". These three speeds can be toggled in-between by the "+" button.
- The speed will start with "SLOW", followed by "MEDIUM", and then "HIGH". The display will show "L-M-H"

NOTE: To switch off the appliance, touch the "ON/DELAY" button, all the lights will switch off immediately. The fan will continue to operate for 5 minutes and the appliance will then switch off. However, continuously touching the ON/DELAY button twice will switch off the appliance immediately.

3. OPERATING THE LIGHTS:

- The lights can be switched on by touching the "LIGHT" button.
- When the lights are turned on during the motor operation, touch the "ON/DELAY" button. The fan and lights will continue to operate for 5 minutes before switching off.

CLEANING AND MAINTENANCE

1. FOR BEST PERFORMANCE:

- Clean the exterior of the appliance once every three days.
- Clean and empty the oil inside the filter regularly.
- It is recommended to carry out a full maintenance service once every half yearly by qualified personnel

2. IMPORTANT STEPS TO REMEMBER FOR INTERNAL MAINTENANCE

- Turn off power supply.
- Remove filter and clean using a soft brush and reassemble after drying for next maintenance.
- Remove the smoke cover by pulling it upwards. Unscrew the air inlet cover and air frame to remove it. Loosen the knob clockwise. Hold the wheel axle and pull out the impeller. Immerse the impeller into cleaning fluid around 10 minutes. Clean the oil on impeller with soft brush.

NOTE: These steps should preferably be carried out by a qualified person.

- Install the impeller back in place. Tighten the knob counter clockwise. Then install air inlet board, air inlet cover and smoke cover in order.
- Regular maintenance is required to ensure optimum performance of the appliance.

TROUBLESHOOTING

PROBLEM	CAUSE	SOLUTION
Lamp is not turned ON Motor is running	Bad wire connection.	Repair or replace wires.
	Lamp is fused.	Change lamp.
	No connection between lamp and power socket.	Repair or replace.
	The quartz lamp transformer has burned out.	Replace transformer.
Lamp is not turned ON Motor is not running	Bad connection between power plug and power socket.	Repair or replace.
	Power cord is damaged.	Replace power cord.
	Fuse of power board is damaged.	Replace fuse.
Lamp is ON Motor is not running	Thermal cutout of motor is working.	Wait for a while and turn on again.
	Condenser malfunction.	Replace condenser.
	Motor malfunction.	Replace motor.
	Faulty power board and control board.	Contact service center
Excessive vibration noise increases	Ensure appliance is securely mounted.	Check and ensure appliance is properly mounted.
	The connecting pieces of the fixed screws are loose.	Tighten screws.
	Volute standing fixed screws are loose.	Tighten screws.
	Motor fixed screws are loose.	Tighten screws.
	Impeller installation is not in place.	Install in place.
	Impeller is damaged and balance piece is lost.	Replace impeller.
Poor suction	Too much oil in filter.	Clean filter.
	The air convection in the kitchen is too big or space sealing is too tight.	Reduce air convection and open doors and windows moderately.
	Higher installation height.	Adjust to appropriate height.
	Exhaust pipe is too long or has too many turns.	Install according to the manual.
	Outdoor wind is too strong.	Non-technical faults.