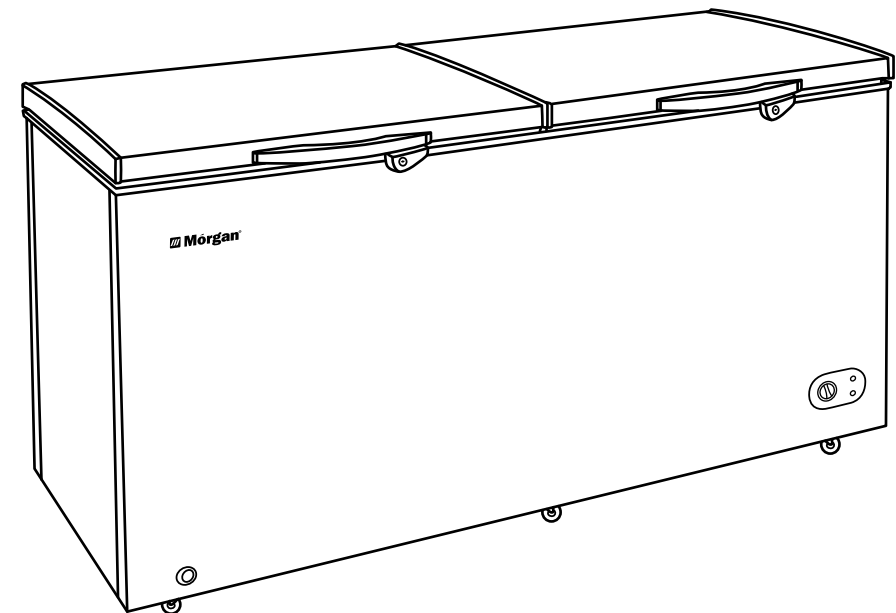


Mórgan®

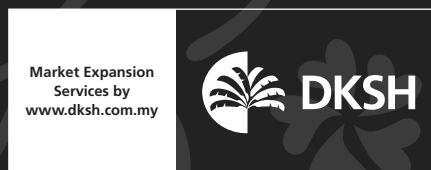
USER MANUAL



Chest Freezer

MCF-7307L

Mórgan®



E-mail: electrical.appliance@dksh.com
www.morgan.my

 [facebook.com/morganappliances](https://www.facebook.com/morganappliances)

TRANSPORTATION AND PLACEMENT

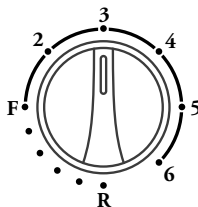
- When transporting the chest freezer, the inclination of the cabinet should not exceed 45 degrees. This helps prevent against compressor or system damage.
- Before use, remove all the packing materials. The rear side of the cabinet should be more than 20cm away from the wall, both flank sides more than 20cm.
- The freezer should be placed in well-ventilated and dry place. Do not use it under direct sunshine. The freezer should be kept away from any sink, heat source and any volatile, corrosive materials.

POWER SOURCE AND TEST-RUNNING

- Specified capacity of the wire is 6A. Section squares of the wire is 0.75mm. Single line or compound lines are allowed. The fuse of 2.5A specified electric current should be installed.(Power cord should be replaced with the same of 6A and 0.75mm, should it be damaged).
- Single-phase power supply, 50Hz, voltage range 187~242V. If the voltage is unstable, please install a voltage stabilizer with capacity above 1000W.
- Avoid turning on and off the power too frequently. If the power is turned off, wait for an interval of 5 minutes before turning it on again.
- When the freezer is not in use for a long time, disconnect the power first, then clean it. Please examine the circuit whether it is in good working condition before reusing.

OPERATION OF TEMPERATURE CONTROL KNOB

- The temperature in the cabinet can be controlled with the temperature control knob.
- The knob should be kept upright normally as indicated in the picture. FREEZING MAX is the strongest cooling position and is suitable for fast freezing. Do not leave the knob at this position for long.
- Switch back to former position after the food is fully frozen
- The knob on shift "R" is for refrigerating, the knob on shift "F" is for freezing



FOOD STORAGE

- There must be space between the foods stored in the cabinet, between the foods and the inner surface of the cabinet, so as to keep good ventilation of cold air and freeze evenly. Do not place any bottled or canned beverage with freezing point above the temperature in the cabinet when it is below zero.
- For foods that should be moisture-free or lose water easily, wrap them up with hermetically-sealed food storage bags or fresh films before putting into the cabinet to avoid odour-mixing and reduced frosting.
- Storage of volatile and combustible gases, liquids such as strong alkalines, strong acids, petrol ,etc. should be avoided.

DEFROSTING

- Defrost for better freezing efficiency when the frost film in the cabinet is 4-5mm thick.
- When defrosting, turn the power off, remove the frozen foods, and leave the door open to air-dry and melt residual frost. Use a soft cloth to absorb excess water when cleaning.
- Do not use sharp metal tools such as steel brush to clean the frost film when defrosting so as to avoid evaporator damage.

MAINTENANCE

- The freezer should be cleaned regularly. When cleaning, turn the power off, remove the foods in the cabinet, clean the interior using water and a little neutral detergent.
- Do not use boiling water, acid, chemical cleaners, petrol and oil, or dirt- removing powder.
- Dry after cleaning.
- Use light soapy water when cleaning the door seal, apply a little talcum powder on it after natural drying to extend its service life.
- Use soft cloth with water or a little mild detergent to clean the exterior surface. NOTE: Do not allow the power supply socket and lower part of the connecting wires come into contact with water so as to prevent short circuits.
- Except for common breakdowns, only authorised service technicians should disassemble and repair the freezer.. Unauthorised repair of electrical parts including compressor, temperature controller is not recommended.
- Defrost for better freezing efficiency when the frost film in the cabinet is 4-5mm thick.

TROUBLE SHOOTING

BREAKDOWN	CASE	REMOVAL METHOD
The indicator is not switched on. The compressor does not start.	The plug is not yet connected to the power supply.	Replug it.
	No power	Connect the socket to power supply.
The indicator is on, but the compressor doesn't work and buzzes only	The power voltage is < 187V.	Use a power-regulator more than 1000W together.
The compressor stops a minute after starting, and restarts after a few minutes, and so repeatedly.	The power voltage is > 242V.	
The compressor works normally, but the temperature inside the cabinet lowers too slowly.	The door is opened too frequently.	Avoid opening the door frequently.
	The food in the cabinet is too much, and placed improperly.	Place foods properly keep a distance between them for optimum of cold air.
	The frost film is too thick.	Remove contents and defrost.
	The surface of the condenser is dirty.	Stop and clean the condenser.
The noise is too loud	The door seal is misaligned.	Adjust the door seal.
	The freezer is not placed stably.	Position it stably.
	Certain parts of the freezer are loose.	Adjust and tighten loose parts
	There is contact between pipes.	Separate them.

THE FOLLOWING ARE NOT FAULTS:

- During operation, the freezer may stop for a while to allow the cycling of refrigerants inside the pipes. As such, running water sound may be present. This is normal.
- The surface temperature of the compressor may be up 70?~80? during operation.
- The rear side of the freezer discharges heat.
- During the rainy season, dew may appear on the exterior of the freezer. This is normal, and not a defect. Just dry it with a piece of cloth.