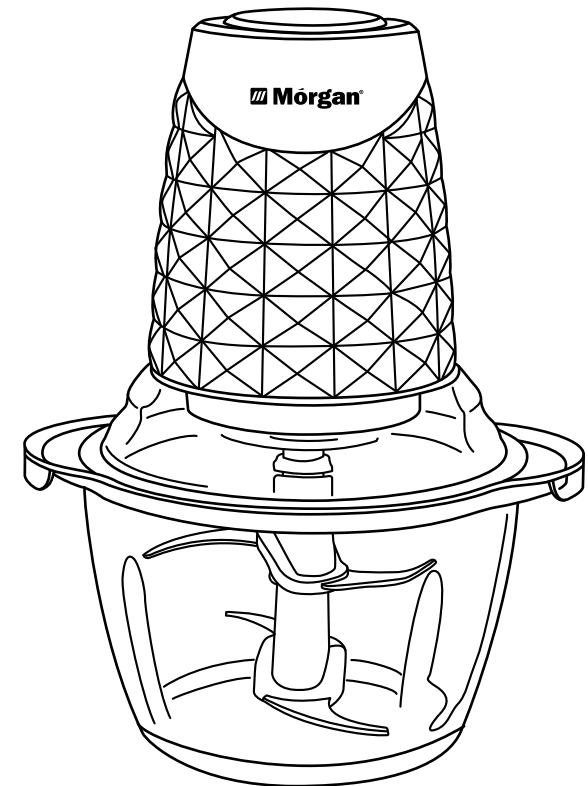



Mórgan®

USER MANUAL



Mórgan®

Market Expansion
Services by
www.dksh.com.my



DKSH

E-mail: electrical.appliance@dksh.com
www.morgan.my

 facebook.com/morganappliances

Chopper

MCP-30P

C O N T E N T S

3	Important Safeguards
3	Important Safety Precautions
4	Parts Identification
4	Specifications
5	Operating Instructions
6	Care and Cleaning
6	Important Notes

Thank you for purchasing a quality MORGAN appliance. We trust that you will have a pleasant experience with your new product. To guarantee safety and best efficiency, please read this manual carefully and keep a copy for future reference.

IMPORTANT SAFEGUARDS

When using electric appliances, basic safety precautions should always be adhered to, including the following:

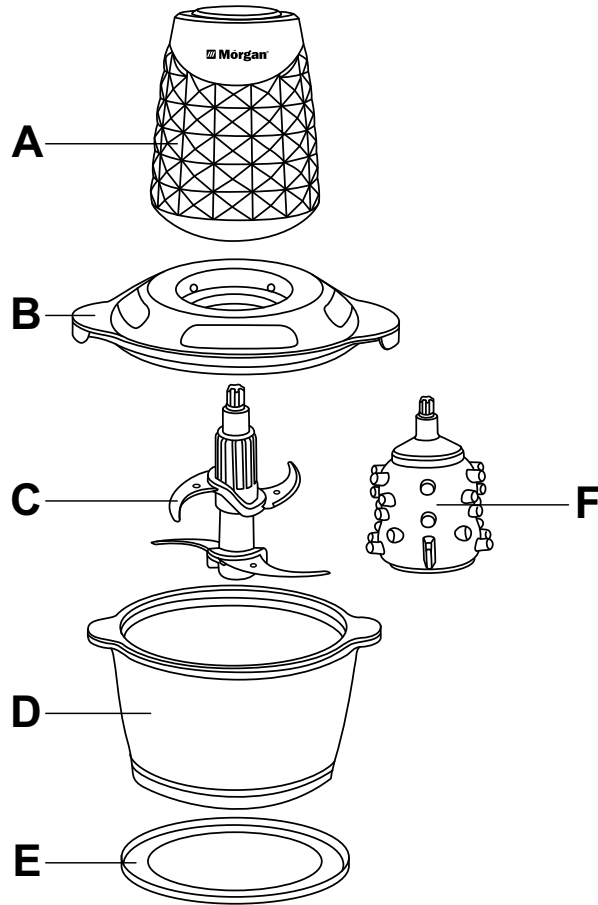
- Read all instructions carefully and retain them for future reference.
- Before connecting to the power supply, ensure that the unit is earthed and its voltage corresponds to the voltage indicated on the power supply rating label.
- This appliance is not intended for use by persons (including children) with reduced physical, sensory or mental capabilities, or lack of experience and knowledge, unless they have been given supervision or instruction concerning use of the appliance by a person responsible for their safety.
Children should be supervised to ensure that they do not play with the appliance.
- Maximum operating time: 5 cycles (30 seconds on / at least 30 seconds off). After 5 cycles, appliance must be allowed to cool down for 10 minutes before its next use.
- To avoid the risk of electric shock do not open this device as there are no serviceable parts . Please contact an authorized service center for inspection and/or repairs.
- If the supply cord is damaged, it must be replaced by an authorized service center.
- It is recommended to thoroughly clean all parts that will come into contact with food before using the appliance for the first time.
- Never allow the power head to become wet when plugged into a power supply outlet.
- Do not immerse the motor into water or any other liquids.
- **WARNING:** Ensure power head is disconnected from the power supply and that the blades have stopped turning before attaching or removing any accessory.
- Exercise extreme caution when handling the appliance as the blades are sharp, especially when removing the blade from the bowl, emptying the bowl and during cleaning.
- Never let the appliance run unattended.
- Use extreme caution when handling the blades. Always hold them by the shaft. Do not attempt to sharpen blades.
- Never run the appliance when the bowl is empty.
- This appliance is only intended for domestic applications and not for commercial use. The manufacturer will not bear any responsibility towards acts of negligence.

IMPORTANT SAFETY PRECAUTIONS

- Wind the power cord into the storage after every use to prevent from tripping over.
- Do not place the appliance near source of heats to prevent damage.
- Operate the appliance on smooth and stable surfaces and away from water,
- Do not open the lid until the blade have stopped spinning completely.

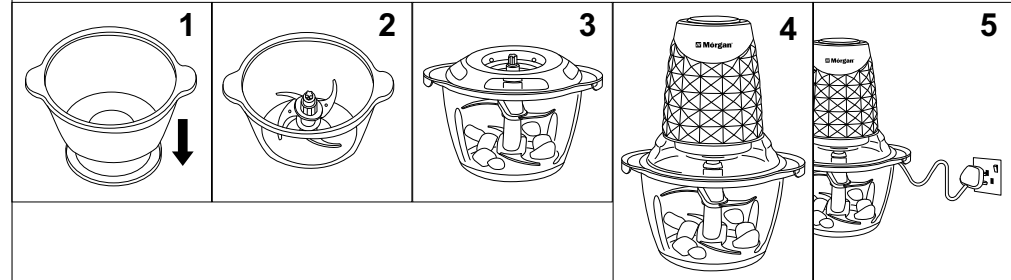
PARTS IDENTIFICATION

- A. Motor
- B. Lid
- C. Blades
- D. Glass Container
- E. Anti-skid Ring
- F. Garlic Peeler



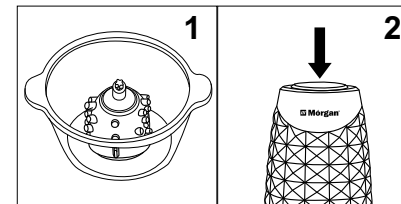
OPERATING INSTRUCTIONS

1. Place the glass container on the Anti-skid Ring.
2. Attach the blade assembly to the glass container;
3. Pour the food ingredients into the glass container and close the lid (as the picture).
4. Assemble the motor into its proper position.
5. Connect power cord to power supply and Power on after to begin operation.



GARLIC PEELER OPERATING INSTRUCTIONS

1. Place the Garlic Peeler onto the spindle on the glass container. Add about 2 to 3 bulbs (about 40 cloves) of garlic with roots cut.
2. Cover the glass container with the lid and place the motor assembly onto the lid. Ensure that the motor assembly, lid and garlic peeler are assembled correctly in their respective positions. Press the power button for 3 -5 seconds. Repeat a few times to peel the skin from the garlic.



SPECIFICATIONS

Model	MCP-30P
Rated Voltage / Frequency	220-240V~ 50/60Hz
Rated Wattage	300W
Capacity	1.2L

CARE & CLEANING

- Never immerse the motor unit in water or any other liquids. Do not rinse it under running tap water. Use only a moist cloth to clean the motor unit.
- Do not use abrasives, scourers, alcohol, or other abrasive cleansers/solvents to clean the appliance as these will only damage the unit.
- Do not detach blades out from the unit.
- Exercise extreme caution Care when handling sharp blades.

RECOMMENDED CHOPPING TIMES FOR VARIOUS FOODS

Food	Quantity	Blend Time
Onion	100g	6 Seconds
Garlic	80/100g	5 Seconds
Celery	15g	10 Seconds
Junket	40g	14 Seconds
Biscuit	20g	15 Seconds
Ham	40g	10 Seconds
Meat	80/100g	12 Seconds
Preserved fruit	200g	15 Seconds
Sauce	150g	20 Seconds

IMPORTANT NOTES

- Do not operate the appliance continuously to prevent it from overheating.
- Stop operating the appliance If the blade spins slower than normal as this indicates overload of food. Remove excess food inside the container and try again.
- Contact your authorized service agent in the event of any malfunction.