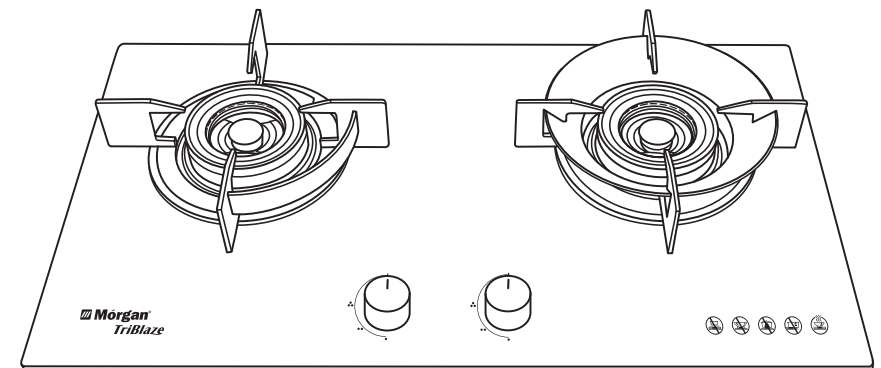


Mórgan[®]

USER MANUAL

Mórgan[®]



Built-in Hob

MBH-825 Triblaze



E-mail: electrical.appliance@dksh.com
www.morgan.my

 [facebook.com/morganappliances](https://www.facebook.com/morganappliances)

C O N T E N T S

3	SAFETY PRECAUTIONS
4	OPERATING INSTRUCTIONS
5	AIR VALVE ADJUSTMENT
6	CARE & CLEANING
7	TROUBLE SHOOTING
8	INSTALLATION
11	PARTS IDENTIFICATION & SPECIFICATIONS

SAFETY PRECAUTIONS

READ ALL INSTRUCTIONS CAREFULLY before using the product & keep the manual for future reference.

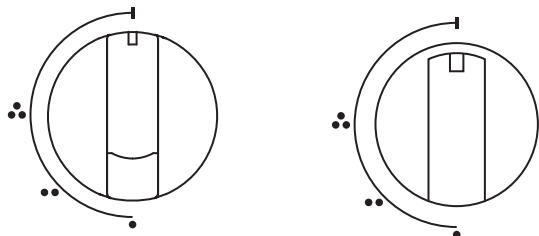
To maintain the efficiency and safety of this appliance, we recommend you the following:

- Only contact the manufacturer-authorized Service Centres.
- Always insist on using only genuine spare parts.
- Never use any gas other than the recommended gas.
- Have your appliance connected to the gas supply performed only by qualified persons.
- Ensure that the controls are turned off when you have finished cooking and when not in use.
- Turn off the gas supply after the fire is turned off.
- Maintain and keep the hob clean as a grease or fat build-up from cooking can cause a fire.
- Keep children away from the appliance during use.
- Exercise caution to avoid heat/steam burns when using.
- Never use the appliance to heat up anything other than food.

WARNING! IN THE EVEN OF A CHIPPED PAN OR OTHER PAN FIRE:

1. Turn off the burners.
2. Cover the pan with a fire blanket or damp cloth, this will smother the flames and extinguish the fire.
3. Leave the pan to cool for at least 60 minutes before moving it.

- The position of the corresponding gas burner is indicated on each control knob.
- The burners differ in size and power. Choose the most appropriate one for the diameter of the cookware being used.
- The burner can be regulated with the corresponding control knob by using one of the following settings:



LIGHTING A BURNER

- Press the corresponding knob all the way and then turn it in the counter-clockwise direction to the “HIGH” setting, keeping it pressed until the burner is lit.

CAUTION: If the burner accidentally goes out, turn off the gas using the control knob and attempt to light it again after 1 minute.

TURNING OFF A BURNER

- Turn the knob in the clockwise position until it stops (at the “I” setting)

To keep the flame in optimal* condition, it is essential to adjust the air valve. Back-fire burning can cause severe damage to hob parts. Hence, the hob should be turned off immediately when it back-fires.**

NOTES:

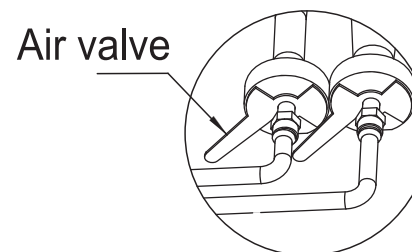
* Blue flame colour, without red/yellow flame & stable combustion without back fire-burning.

** Back fire-burning refers to fire burning inside the burner.

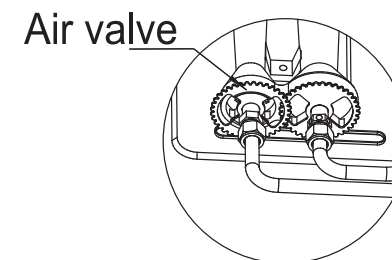
IMPORTANT

- Adjust the air valve by moving the valve handle in clockwise/anti-clockwise direction until there is no flame separated from the fire holes and flame is in optimal condition.
- The air valve is installed at the bottom of the hob which is a round-shaped gear iron plate as illustrated.

Pictures A & B indicate two types of air valves used on different types of hobs (pictures for reference only).



Pictures A



Pictures B

USER MAINTENANCE INSTRUCTIONS

This appliance requires little maintenance and contains no user-serviceable parts. Any servicing requiring disassembly other than cleaning must only be performed by a qualified appliance repair technician.

IMPORTANT!

1. Before cleaning or performing maintenance on the appliance, disconnect it from the gas and power supply and allow it to cool before proceeding.
2. It is recommended to have the appliance cleaned regularly to extend its functionality.
3. Do not use steam equipment to clean the appliance.

CARE & CLEANING INSTRUCTIONS

1. Wash the enamelled parts and the glass top with warm water.
2. Do not use metal kitchen utensils or abrasive cleansers or corrosive cleansing agents as this may damage the finishing.
3. Wash the removable parts of the burner frequently with warm water and mild detergent, ensuring caked-on residues are removed.
4. Clean the ends of the electronic ignition device (applicable for cooktops with ignition device) carefully and frequently. Make sure the gas holes are not clogged.
5. While still warm, clean the hobs with a damp cloth and rub with a little oil.
6. Rinse stainless steel parts with water and dry well as these can be stained if it remains in contact with highly calciferous water or detergents containing phosphorus.
7. It is recommended to clean up the spills object after every cook.

GREASING THE TAPS

This procedure can only be performed by an authorized service technician as taps may be clogged over long period of use and may be difficult to turn.

PROBLEM	CAUSES	SOLUTIONS
Failed Ignition	Power is not connected.	Connect power.
	High voltage wire leakage.	Replace high voltage wire.
	Ignition porcelain head leakage.	Replace high voltage wire
	Pulse ignitor is broken.	Replace pulse ignitor
	Microswitch connection is faulty.	Replace/adjust microswitch.
	Battery installation is faulty.	Install battery correctly.
	Incorrect distance between ignition porcelain head and burner cap.	Adjust to 5-6mm distance.
Gas supply is not connected.	Reconnect gas supply.	
Flame Failure – Device Open Valve Time Failure	Incorrect throttle position.	Adjust throttle position
	Incorrect thermocouple position.	Adjust thermocouple position
	Flame failure device malfunction.	Replace flame failure device
Backfiring	Improper burner cap position.	Adjust burner cap.
	Burner leakage or throttle opens too wide.	Replace burner or adjust throttle.
	Burner cap is upside down.	Adjust burner cap.
Flameout	Throttle opens too wide.	Adjust throttle.
Noise	Incorrect burner cap position.	Adjust burner cap.
	Throttle opens too wide.	Adjust throttle.

The following instructions are intended for the installer. The manufacturer shall not be held responsible for damages arising from procedures carried out by unauthorized persons which may void the warranty.

IMPORTANT: Disconnect appliance from the power supply before performing any maintenance or repairs.

1. This hob unit must be installed by a qualified technician to avoid hazard.
2. Please refer to the following installation die-cut template (figure 1) supply with your unit when marking holes for mounting and installation.

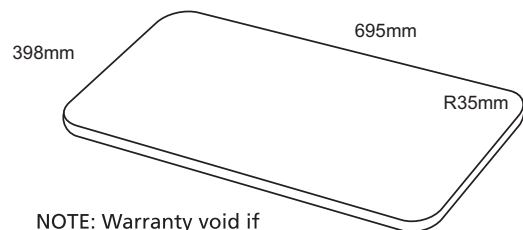


Figure 1

NOTE: Warranty void if hole measurement for installation of hob unit is not followed.

HOB POSITIONING

IMPORTANT: This appliance may be installed and used only in permanent ventilated areas. The following requirements must be observed.

- The area must be fitted with a ventilation system which vents smoke and gases from combustion to the outside. This means installing a hood or electric ventilator that automatically powers on when the hob is in use.
- The area must have an air flow for proper combustion. This must be $2\text{m}^3/\text{h}$ per kW of installed power.
- The airflow can be created using an enclosed vent with an inner cross section of at least 100cm^2 which must be free from obstructions.
- If the appliance does not have a flame failure device, the vent should preferably have an internal cross section of 200cm^2 .
- Alternatively, the area should allow indirect venting through ventilation ducts as specified above as long as the adjacent area does not pose a fire risk (bedroom/shared area).
- Intensive and prolonged use of the appliance may require additional ventilation such as opening a window or increasing the power of the air intake system (if available).

INSTALLATION OF BUILT-IN HOBS

Check after opening the box

- Check the gas supply compliance and gas limit of the hob. Then check the integrity, quantity and proper connection of all accessories.

Drill hole

- Drill a hole according to the installation plate or hole size drawing on the worktop of the cabinet. Leave at least 150mm below the hob bottom for gas supply connection.

Hob placement

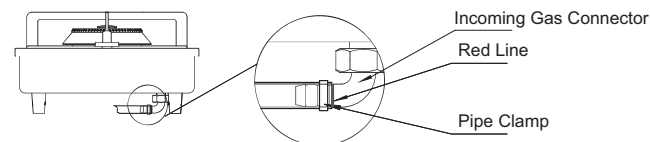
- Place hob into the hole, ensuring it is stable inside the worktop.

Gas pipe connection

- The hob should be connected to the gas supply by an authorized installer, ensuring that it complies to local rules and regulations.

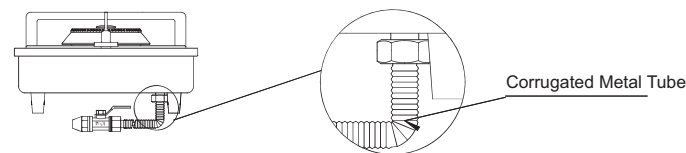
Rubber hose connection

- Use the $\varnothing 9.5$ gas connection hose to connect the hob to the gas supply. Ensure that the rubber hose is inserted into the red line of the hob connector and secured using a pipe clamp. Ensure hose is straight and not bent or twisted and away from high temperature.



Corrugated metal tube connection

- Use the corrugated metal tube gas connector (outside thread of gas connector is $1/2''$) to connect the hob to the gas supply tap. Use an adjustable screw nut and anti-corrosion rubber ring seal in the middle to connect.



Leakage Test

- Once hob has been installed, ensure that all connections are properly sealed. Use soapy water to spread on all connection areas and turn on the gas valve. Bubbles will appear on areas which are not properly connected. Tighten the metal clamps and repeat the above test until no more bubbles appear.

Electric power connection

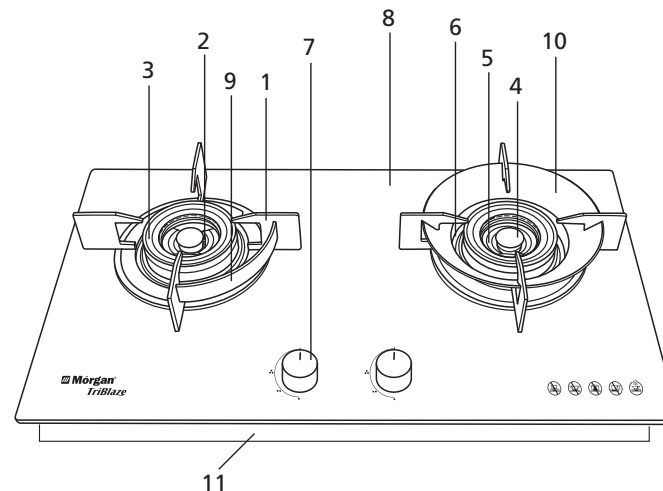
- Use individual 10A socket with landing for the electric hobs.

Battery installation

- The battery box is located at the lower left side of the hob bottom. Install only Type D batteries in the proper direction and replace it as and when required.

Burn test and finish

- It is recommended to conduct a burn test after installation for first use by an authorized service personnel.



PARTNAME

- | | |
|-----------------------|-------------------------|
| 1. Pan Stand | 7. Knob |
| 2. Sparker | 8. Glass Top |
| 3. Outer Cap | 9. Heat Deflector |
| 4. Inner Cap | 10. Energy Concentrator |
| 5. Decorative Cover | 11. Bottom Base |
| 6. Anti-Spillage Tray | |

SPECIFICATIONS

Model	MBH-825 Triblaze	
Burner Head	Double	
Ignition System	Continuity Spark	
Consumption (kW)	left	right
	5.5 (3+1 Rings)	5.5 (3+1 Rings)
Weight (Kg)	9	
Gas	Liquid Petroleum Gas (LPG)	
Pressure	28 MBAR	
Rubber Hose Diameter	Ø9.5mm	
Top Plate Dimension (mm)	780(L) x 460(W)	