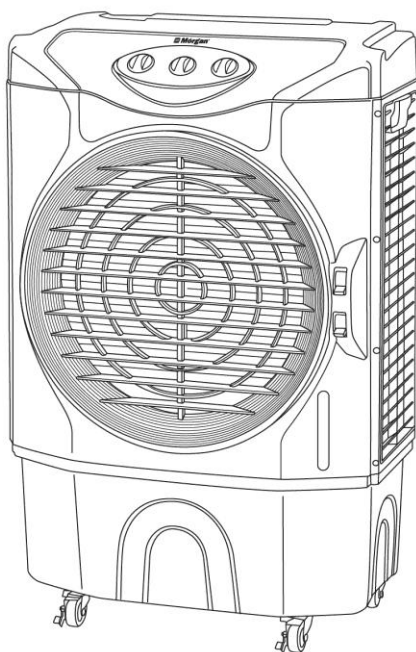


 **Mórgan[®]**

USER MANUAL



**Air
Cooler**

MAC-COOL10A

CONTENTS

1 Parts Identification

2 Specifications

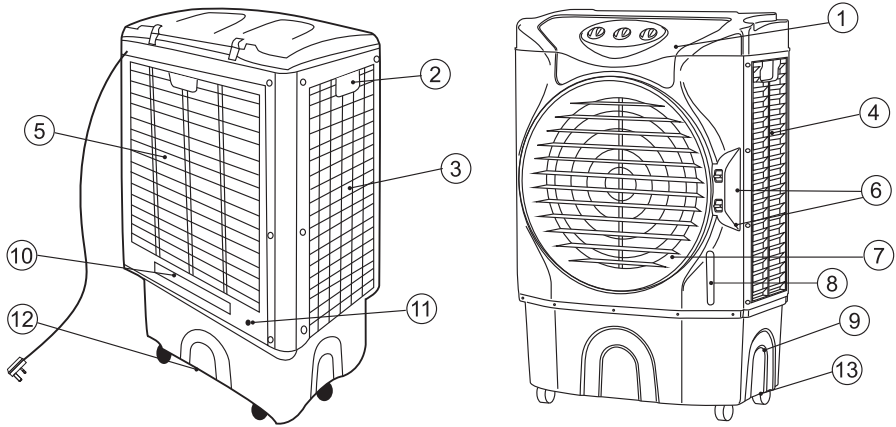
2 - 3 Safety Precautions

3 - 4 Operating Instructions

4 Installing Hose Connector

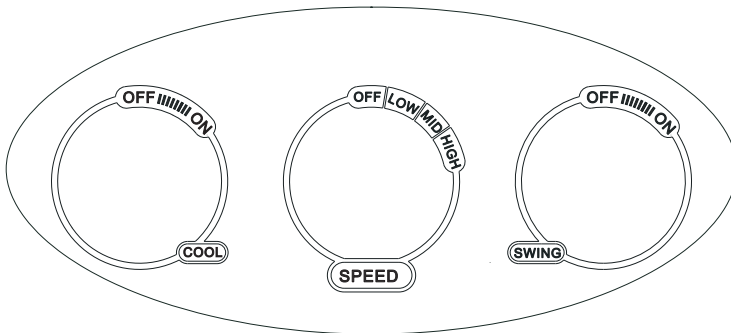
5 Care & Maintenance

PARTS IDENTIFICATION



- | | | | |
|---|------------------------------|----|------------------------|
| 1 | Control Panel | 8 | Water Level Indicator |
| 2 | Handle | 9 | Water Tank |
| 3 | Left Panel | 10 | Manual Water Inlet |
| 4 | Right Panel | 11 | Continuous water inlet |
| 5 | Back Panel | 12 | Drain Plug |
| 6 | Lever for Horizontal Louvers | 13 | Castors |
| 7 | Air vent | | |

Control Panel Display



SPECIFICATIONS

Rated Voltage / Frequency	220-240V~
Frequency	50Hz
Rated Wattage	220W

SAFETY PRECAUTIONS

1. Thank you for purchasing a quality Morgan appliance. Please keep this instruction manual close at hand for future reference.
2. Always unplug the appliance from the power supply outlet before cleaning it or when not in use.
3. Do not allow children to operate this appliance and always keep it away from children's reach to prevent scalds, electric shocks or other injuries.
4. Always attach the power cord to the appliance BEFORE you plug it into the power supply. To disconnect the appliance, switch off first before removing the power plug from the power supply.
5. Close supervision is necessary when operating the appliance near children. Ensure the power cord does not hang over the work surface.
6. Do not operate the appliance with a damaged power cord set or plug. Any repairs should always be undertaken by an experienced technician or by an authorized service centre.
7. Always place the appliance on a flat sturdy surface. When moving the appliance, always be aware not to touch hot surfaces, or avoid possible spillage of hot liquids it may contain.
8. Do not immerse the appliance, or electrical parts into water or any other liquids.
9. Use of accessories or equipment not supplied by the manufacturer may cause damage or malfunctioning of your appliance or result in injuries.

SAFETY PRECAUTIONS

10. **Note: This appliance is recommended for commercial use.** Do not use the appliance apart from its intended use or while standing on a damp area.
11. Do not place the appliance on or near a hot gas or electric burner, or near easily flammable material.
12. This appliance should not be used by the physically challenged, slow in response or mentally challenged people (including children) unless close supervision is provided during operation.

OPERATING INSTRUCTIONS

HOW TO USE

Operation Method

- Fill water into the appliance by pouring clean water into the water tank through water inlet #1.
- When adding water, pay attention to the water level indicator at the front of the appliance.
- Do not over fill water above the maximum water level.
- Close the cover after adding water, otherwise the appliance will not work.
- To reduce temperature further, add ice into the water tank.
- Water can also be supplied into the appliance by connecting a water hose into the water inlet #2.

Cooler Knob

- Turn this knob to ON position after adding water or ice to begin using this appliance. Outlet wind temperature is lower after 20 seconds.

OPERATING INSTRUCTIONS

Speed Knob (also functioned as ON/OFF)

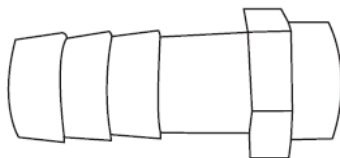
- Turn on the speed knob to start operating the unit.
- Turn this knob to set the speed as required from “LOW”, MEDIUM” or HIGH”.
- To switch off, turn the speed knob to OFF position.

Swing Knob

- Turn the swing knob to ON position and the louvers will start to swing horizontally. You may manually adjust the louvers for vertical air direction.
- To switch off, turn the knob to OFF position.

INSTALLING HOSE CONNECTOR

- To attach a hose screw on the hose connector supply with the unit to the water inlet #2.
- Verify that the hose connector is screwed tight.
- Connect a 1/2” water hose (not supplied with the unit) to the hose connector.
- Verify water tight connection by visually examining the connection.



Hose Connector

- **Always disconnect the appliance from the power outlet before cleaning.**
- Clean the water tank once a month for best performance and for hygiene purposes.
- There are two ways to clean the water tank, either by (1) opening the water tank cover and pouring water into the water tank or (2) connect a water hose into water inlet #2 and fill up the water tank with water. This is followed by unscrewing the drainage stopper at the bottom of the unit to drain off the waste water.
- Clean the unit's exterior using mild soap and soft cloth.
- Do not clean with alcohol or solvent cleanser.

 **Mórgan**[®]

Market Expansion
Services by
www.dksh.com.my



DKSH

E-mail: electrical.appliance@dksh.com