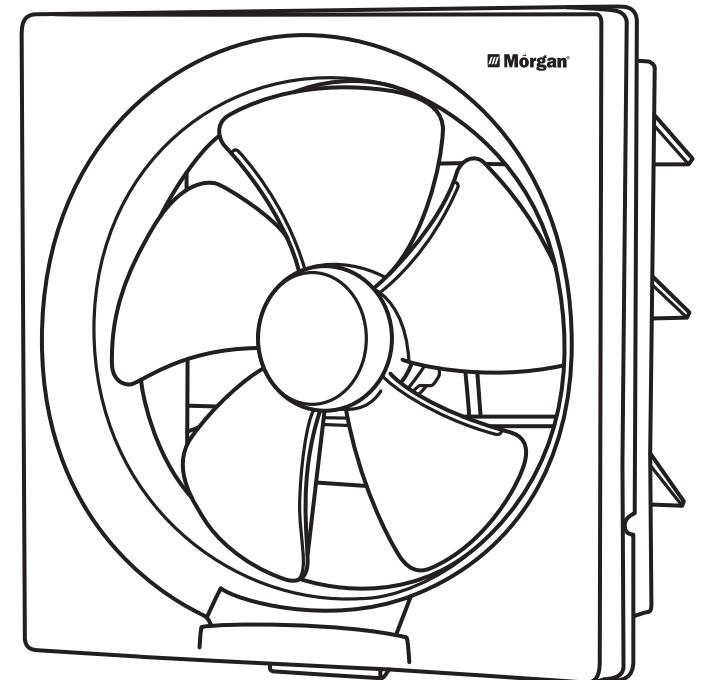


Mórgan[®]

USER MANUAL



Ventilation Fan

MVF-WA80
MVF-WA100
MVF-WA120

Mórgan[®]

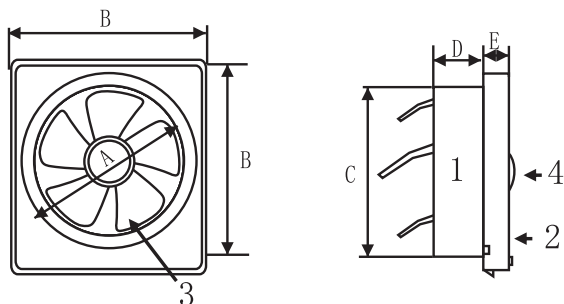


E-mail: electrical.appliance@dksh.com
www.morgan.my

 facebook.com/morganappliances

PARTS IDENTIFICATION

1. Body
2. Louver
3. Blade
4. Spinner



MEASUREMENT (mm)

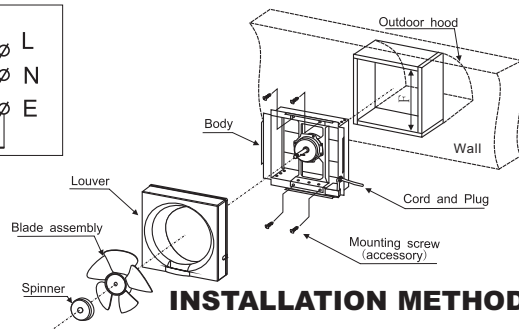
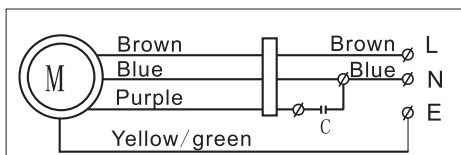
MODEL	A	B	C	D	E
MVF-WA80	200	300	240	89	31
MVF-WA100	250	345	288	88	36
MVF-WA120	300	400	340	104	36

SPECIFICATION

MODEL	MVF-WA80	MVF-WA100	MVF-WA120
RATED VOLTAGE / FREQUENCY	220-240V~ 50Hz		
RATED WATTAGE	30 W	35 W	40 W
AIR DELIVERY (m³/min)	8.1	12	18
NOISE (dB<A>)	42	45	52

INSTALLATION INSTRUCTIONS

CONNECTION PLAN



INSTALLATION INSTRUCTIONS

FOR YOUR SAFETY

To reduce the risk of injury, electric shocks, fire, malfunction, and damage to equipment - always observe the following safety precautions.

1. Ensure cable connection is correctly secured and safe.
2. This equipment must be installed by a qualified technician.
3. Be sure to select the appropriate voltage before attempting to connect with power supply. Use only with rated voltage.
4. Manually move fan blades to ensure it is free from obstruction that may prevent proper fan operation before connecting to the power supply.
5. Ensure a ground clearance of more than 2.5m during installation.
6. Ensure yellow and green double coloured cables are properly grounded.
7. This equipment must be installed in accordance to installation instructions. Any changes or modifications not expressly approved by the party responsible for compliance could void the user's authority to operate this equipment.
8. To avoid air backflow vented out from the equipment, ensure that windows and doors facing the same direction as the vented air are shut.
9. Keep all packaging materials away from children's reach.
10. Contact gap must be at least 3mm away from the pole disconnection.
11. This equipment is not intended for use by young children or infirm persons without supervision.
12. Children should be supervised to ensure they do not play with the equipment .
13. The power cord cannot be replaced. Do not use the equipment if the power cord is damaged.

CARE & MAINTENANCE

1. Regular cleaning of the fan is recommended for optimal operation.
2. Safety Warning: Ensure the fan is switched off and before carrying out cleaning and maintenance work.
3. Use a damp cloth (using water only) to wipe down the fan and surrounding housing.
4. Important Note: Do not use cleaning agents or solvents when cleaning this fan.
5. Do not allow water to come into contact with electrical parts such as motors & switches.
6. Do not immerse fan blades or other resinous parts in hot water over 60°C.