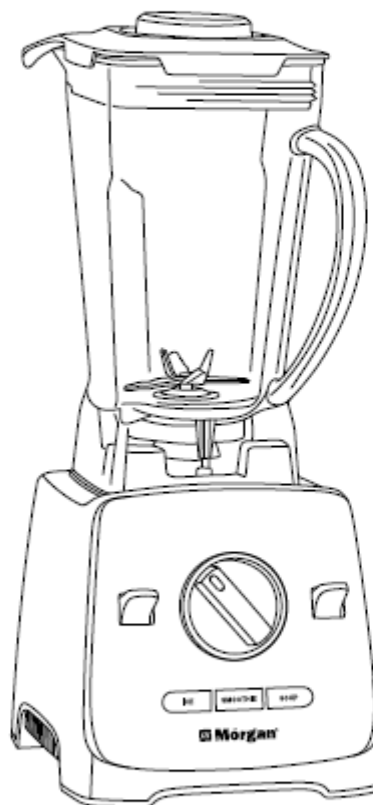


 **Mórgan®**

## USER MANUAL



# Power Blender

MPB-Maximus 15

Thank you for purchasing a quality MORGAN appliance. We trust that you will have a pleasant experience with your new product. To guarantee safety and best efficiency, please read this manual carefully and keep a copy for future reference.

## IMPORTANT SAFEGUARDS

When using this power blender, basic precautions should always be followed, including the following:

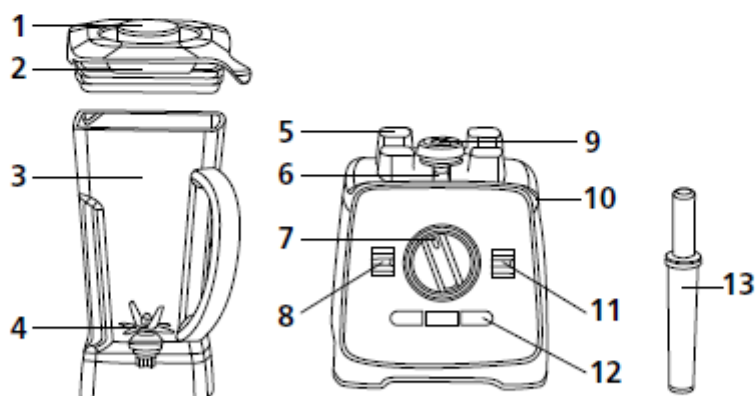
1. All safety and operating instructions should be read before operation and user manual should be retained for future reference.
2. This appliances is intended only for household use and additionally for similar uses in places such as:
  - kitchens, offices, or other workplaces,
  - for use by guests in lodging establishments (hotels, motels), private boarding houses, or holiday homes.
3. This appliances shall not be used by children. Keep the appliance away from children and not allow children to play with it.
4. This appliance is not intended to be used by persons (including children) with reduced physical, sensory or mental capabilities, or lack of experience and knowledge, unless they have been given supervision or instruction concerning use of the appliance by a person responsible for their safety.
5. Store the appliance, accessories, as well as packaging and other parts out of children's reach.
6. Only connect the appliance to power supply that match the voltage indicated on the rating plate found at the bottom of the appliance.
7. Never immerse the appliance and power cord into water or other liquids to avoid a fire hazard and appliance malfunction.
8. Do not operate the appliance with wet hands. Disconnect the power cord from the power supply immediately if the appliance is wet.
9. Place the appliance on stable and sturdy surfaces. Do not operate the appliance on or near hot surfaces.
10. This appliances is not intended for outdoor use.
11. **WARNING:** Do not insert objects into the appliance during operation and never reach into the jar with your hand. Risk of injury exists.
12. Only remove the blender jar after the motor has come to a complete stop.
13. **WARNING:** Blades are sharp. To avoid injury, exercise extreme caution when emptying the bowl and during cleaning.
14. Do not exceed the maximum filling amount.
15. Do not use any sharp or metal objects inside the blender jar as these might scratch the jar. Use only plastic or wooden spatulas to remove the ingredients from the Jar.
16. Power off the appliance and disconnect from the power supply before changing accessories or approaching moving parts.
17. Always unplug the power cord from the power supply after use, before cleaning, or in case of any malfunctions during operation.
18. Never operate the appliance using accessories not recommended by the manufacturer.
19. Regularly inspect the power cord and power plug for wear & tear or damage.
20. Unauthorised modifications/repairs to the appliance can endanger the user and void the warranty. Damaged parts **MUST** be replaced by the manufacturer, authorised technician or a similarly qualified person.

21. Damaged appliance/power cords **MUST** be replaced/repared by the manufacturer, authorised technician, or a similarly qualified person to avoid a fire/electrical hazard.
22. Always unplug the appliance from the power supply when not in operation, before assembly/ disassembly, and cleaning.
23. **WARNING:** Hot splashes or steam might escape when filling the blender jar with hot liquids.
24. **CAUTION:** This appliance must not be supplied through an external switching appliance, such as a timer, or connected to a circuit that is regularly switched on and off by the utility to avoid a hazard due to inadvertent resetting of the thermal cut-off.

## CAUTION: PROTECTION FROM OVERHEATING

- The built-in overheating protection monitors the motor temperature and signals incorrect operation. If required, the overheat protection shuts down the motor. Set the speed dial to position "OFF". The appliance can first be operated after the motor has cooled down.
- If the overheat protection signals multiple temperature faults, this might be the result of filling ingredients over or under the max/min levels.
- Do not reach into the appliance during operation – risk of injury!
- Never immerse the appliance, power cord or power plug into water or other liquids.

## PARTS IDENTIFICATION



- |                               |                       |                       |
|-------------------------------|-----------------------|-----------------------|
| 1. Measuring cup              | 6. Safety switch bar  | 11. Pulse button      |
| 2. Jar lid                    | 7. Speed controller   | 12. Operating buttons |
| 3. Jar                        | 8. ON / OFF           | 13. Tamper            |
| 4. Knives with 6-knife system | 9. Motor running gear |                       |
| 5. Shock-absorbing sealing    | 10. Motor unit        |                       |

## SPECIFICATIONS

Model	MPB-MAXIMUS 15
Rated Voltage / Frequency	220-240V~ 50/60Hz
Rated Wattage	1400W
Capacity	2.0L

## BEFORE CONNECTING TO POWER SUPPLY

- Ensure that the voltage of the appliance corresponds to the voltage indicated on the power supply rating label at the bottom of the appliance before connecting the appliance to the power supply.
- Remove all plastic wrappers, clean the jar, accessories and fitting before using the appliance for the first time.

### BEFORE USE

- Please make sure the jar is properly inserted into the Safety switch bar. Otherwise, the blender will not operate.

## SMART SWITCH SYSTEM

The controller of this blender has the functions "M" (Mode), "ON/OFF", "Stepless speed levels" and "Pulse"



### ON/OFF

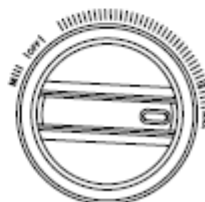
- Press the "ON" button. The Blender will be in power standby mode.
- Press the "OFF" button after operation to turn the appliance off.



### PULSE

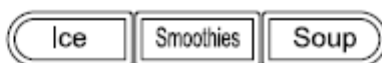
- Press for blending, release to stop.

### SPEED CONTROLLER



- Turn the control knob into from min. to max to select different blending speeds.
- Important: The appliance can only be operated if the controller is initially set to "OFF" position.

## MODE FUNCTION (M)



- The 3 Mode buttons will flash when the knob selector is on "M".
- Press to select from one of the desired mode functions. The selected mode button will illuminate. Press the same button again to stop the mode function. All buttons will be illuminated.

### 1. Smoothie function

The high-performance blender starts automatically till its setting time is finished.

### 2. Crushed Ice function

The high-performance blender automatically starts: The Blender chops the ice in intervals separated by short breaks.

### 3. Soup function

The high-performance Blender will start & stop automatically: Speed will increase till to max speed before stopping.

### SECURITY INSTRUCTIONS WHEN USING WITH HOT LIQUIDS

- Beware of hot steam escaping when adding and mixing hot ingredients or removing the lid from the Blender jar.

### IMPORTANT NOTES FOR USING SOUP FUNCTION:

- This appliance only blends soups and DOES NOT heat/cook.  
(e.g: pumpkin soup, mushroom soup and so forth. (ingredients that already cooked)
- NEVER blend boiling liquids. Liquids must be within the 50°C ranges.
- DO NOT fill over the 700ml level.
- Only select blending speeds 1-2 and do not blend more than 4 minutes.

## CLEANING AND MAINTENANCE

**The jar should be cleaned and dried after every use. Not doing so may affect its functionality.**

1. Before cleaning, power off the appliance and disconnect the power plug from power supply.
2. Never immerse the housing of the motor base into water or other liquids.
3. Do not use abrasive cleaning agents.
4. Only wipe the housing using a moist cloth.
5. Do not remove the cutting blades from the blender jar to clean them as doing so may cause the blender jar to leak.
6. Remove the jar from the motor base and discard any remaining foodstuffs from the jar. Exercise caution to avoid injuries with the blades when cleaning.
7. To clean the jar, fill it with 800ml of warm water and several drops of mild cleansing agent. Close the jar with the lid and set the switch to "max" for 1 minute. Repeat the clean processing again for 2 times without using any cleansing agent.
8. Allow the jar and individual parts to dry completely before reassembling.

**DO NOT immerse power cord, power plug, and motor in water or other liquids. Beware of sharp blades when cleaning the knife insert and blender jar.**

## OPERATING INSTRUCTIONS

1. Prepare your ingredients following the recipe. Heavy or hard ingredients should first be chopped up before adding them to the blender jar.
2. Place the appliance on an even and dry work surface.
3. Place jar on the motor base & ensure it is properly inserted into the safety switch bar otherwise the blender will not function.
4. Remove the lid and add ingredients into the jar. It is recommended to add solid ingredients first and liquid ones later.
5. DO NOT exceed the max. filling level.
6. Place lid onto the jar. Press it down to secure it onto the jar otherwise the security contact will not be activated.
7. Connect the power plug to the power supply.
8. To operate, first set the speed using the controller dial. Then use the switch control to start operation.  
**ATTENTION:** The appliance only works if the controller dial is initially set to "OFF". Dial the controller dial back to "OFF" if the Blender does not start operation.  
**Tip:** 800g of chopped carrots can be process at maximum speed with 1,200ml water. Turn the control dial to MAX for two minutes and subsequently turn it back to "OFF". Wait for one minute. Do not repeat over four times. Afterwards, allow the motor cool down completely.
9. Set the controller dial to Mode function (M) & select between the "Crushed Ice", "Smoothie", and "Soup" functions. Selected function button will illuminate, and the selected operation will begin. Pressing the button again stops the operation and all buttons will light up again. You can now select a new function.
10. You can measure and add further ingredients during operation through the small opening in the lid, using the removeable measuring cup with 65ml filling volume.
11. Allow the motor to stop completely before removing the blender jar. Never remove it from the base during operation or while the motor is still running.
12. Unplug the appliance from the power supply once operation is complete. Clean the jar and individual parts.

### SECURITY PRECAUTIONS WHEN USING HOT LIQUIDS

- Beware of hot steam escaping when adding and mixing hot ingredients or removing the lid from the blender jar.
- Never use this appliance to process boiling liquids.
- Start operating the blender at low speeds and slowly increase the speed until you reach the desired speed.
- Always firmly close the lid included to prevent contents, hot liquids, and hot steam from escaping.

### USING THE TAMPER

- Remove the measuring cup from the lid and hold the tamper to the lid opening.
- The tamper is only intended to press ingredients towards the blades.
- The flex edge tamper is great for pushing contents onto the blades, as well as assisting with removing thicker mixtures from the jug.

## TROUBLE SHOOTING

**Please go through the following steps if the appliance does not operate as desired:**

1. Inspect whether the instructions in the operating manual were followed precisely and correctly.
2. Inspect whether the table below offers potential solutions.
3. Inspect whether your fuses are still intact.

PROBLEM	SOLUTION
The operating buttons do not illuminate, the appliance does not work.	<ul style="list-style-type: none"> <li>• Place the mixer jar onto the motor head and plug the power cord into the power supply.</li> <li>• Press the jar down again to reactivate the safety switch.</li> </ul>
The operating buttons illuminate, the appliance does not work.	<ul style="list-style-type: none"> <li>• Unplug the power cord from the power supply &amp; reinsert again.</li> <li>• Ensure the jar is positioned correctly to activate the safety switch.</li> </ul>
The appliance stops after a longer period of mixing.	<ul style="list-style-type: none"> <li>• The overload protector is activated to protect the motor from damage.</li> <li>• Unplug the power cable and allow appliance to cool down for 30 minutes before attempting again.</li> </ul>
The resulting mixture is not fine enough.	<ul style="list-style-type: none"> <li>• Mixer may be overloaded by too many or large ingredients. Try again with smaller portions &amp; mix multiple portions if required.</li> <li>• Ingredients should be chopped into pieces no larger than 2cm.</li> </ul>
Ingredients stick to the jar or do not contact with cutting blades.	<ul style="list-style-type: none"> <li>• Larger ingredients can stick onto the jar. Ideally, ingredients should be chopped into pieces no larger than 2cm.</li> <li>• If necessary, select a minimum speed and use the tamper to press the ingredients down towards the cutting blades.</li> <li>• The mixture might be dry. Add more liquid.</li> </ul>
The resulting mixture is too fine or too liquid.	<ul style="list-style-type: none"> <li>• Try to mix for a shorter period.</li> <li>• Use the "Pulse" function to better control the mixing process.</li> </ul>
Ice is not properly chopped up.	<ul style="list-style-type: none"> <li>• Use smaller pieces of ice (not exceeding 2cm).</li> <li>• Use the "Crushed Ice" function.</li> </ul>

### **DISPOSAL/RECYCLING**

Our products are manufactured with the highest degree of care and are designed for a long durability. Regular maintenance and cleaning help to prolong durability.

If the appliance is defective and cannot be repaired, it must not be disposed at home.

You must dispose the appliance at a respective place for recycling of electronic appliances. With correct disposal and recycling you contribute to preserving the environment.


This appliance complies with the WEEE-Directive 2002/96/EC on the disposal of electrical and electronic equipment (WEEE).

 **Mórgan®**

Market Expansion  
Services by  
[www.dksh.com.my](http://www.dksh.com.my)



E-mail: [electrical.appliance@dksh.com](mailto:electrical.appliance@dksh.com)  
[www.morgan.my](http://www.morgan.my)

 [facebook.com/morganappliances](https://facebook.com/morganappliances)