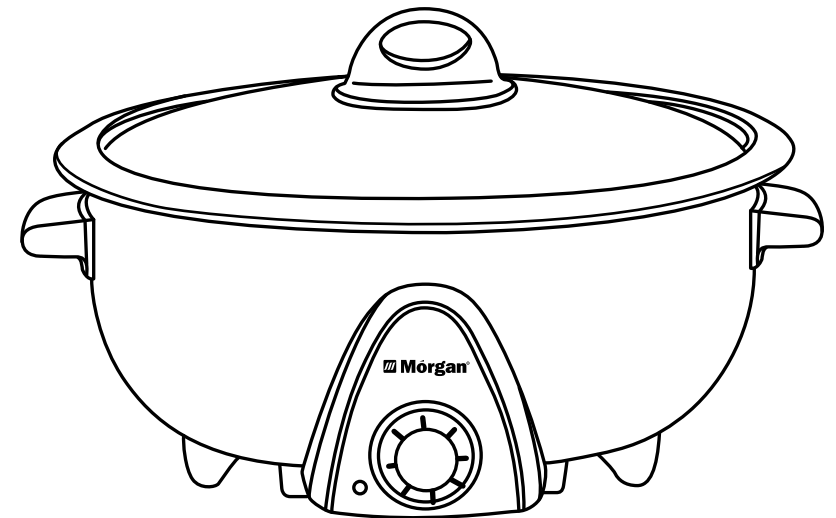
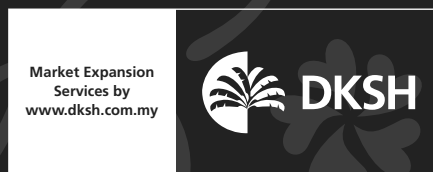


Mórgan®

USER MANUAL



Mórgan®



E-mail: electrical.appliance@dksh.com
www.morgan.my

 [facebook.com/morganappliances](https://www.facebook.com/morganappliances)

Multi Cooker

MMC-3500

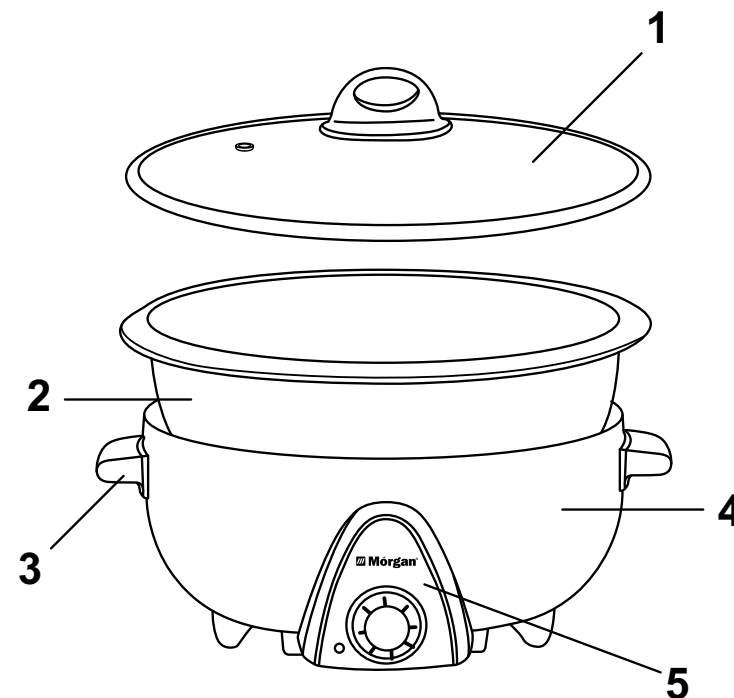
C O N T E N T S

3	PARTS IDENTIFICATION
3	SPECIFICATIONS
4	IMPORTANT SAFEGUARDS
5	BEFORE FIRST USE
5	OPERATING INSTRUCTIONS
6	CARE & CLEANING

Thank you for purchasing a quality MORGAN appliance. We trust that you will have a pleasant experience with your new product. To guarantee safety and best efficiency, please read this manual carefully and keep a copy for future reference.

PARTS IDENTIFICATION

1. Glass Lid
2. Non-Stick Inner Pot
3. Handle
4. Main Housing
5. Control Panel



SPECIFICATIONS

MODEL	MMC-3500
RATED VOLTAGE / FREQUENCY	220-240V~ 50/60Hz
RATED WATTAGE	1300W
CAPACITY	5.0L

IMPORTANT SAFEGUARDS

When using electric appliances, basic safety precautions should always be followed including the following:

1. Read all instructions carefully and retain them for future reference.
2. Before connecting to the power supply, ensure that the voltage of the appliance corresponds to the voltage indicated on the power supply rating label at the bottom of the appliance.
3. Always disconnect appliance from the power supply when not in use or before cleaning.
4. Always attach the power cord to the appliance BEFORE connecting it to the power supply. To disconnect, switch off appliance first before detaching the power plug from the power supply.
5. Close supervision is necessary when any appliance is used by or near children.
6. To protect against electric shock, do not immerse power cord, power plug, or any parts of the multicooker in water or other liquids.
7. Do not allow power cord to hang over edge of table or counter or touch hot surfaces.
8. Do not operate appliance with damaged power cord or power plug or after the appliance malfunctions or has been damaged in any manner. In such a situation, it is recommended to return the appliance to your nearest Authorized Service Center for examination, repair, or adjustment.
9. The use of accessory attachments not recommended by the appliance manufacturer may cause hazard or injury.
10. Keep flammable materials such as curtains, draperies, walls and metal foils away from the multicooker to prevent the risk of fire during operation.
11. **WARNING:** Glass lid of multicooker can be EXTREMELY HOT! Exercise caution to avoid burns during use or immediately after using the multicooker. Do not touch the metal heating base and glass lid.
12. Always operate appliance on a flat, stable and sturdy surface.
13. When moving the appliance, always be aware not to touch hot surfaces to avoid the possible spillage of hot liquids it may contain.
14. When unplugging the power cord, always hold the plug. Never pull on the power cord to avoid damaging the wire inside it.
15. **CAUTION:** Do not wet the power cord or handle the multicooker with wet hands.
16. Detach power plug from the power supply when appliance is not in use, or when left unattended.
17. Do not coil power cord tightly around the appliance to avoid damaging it.
18. Do not place on or near a hot gas, electric burner, or heated oven.
19. This appliance is for HOUSEHOLD USE ONLY. Do not use outdoors.
20. Do not use appliance for other than its intended use.
21. This appliance is not intended for use by persons (including children) with reduced physical, sensory or mental capabilities or lack of experience and knowledge, unless they have been given supervision or instruction concerning use of the appliance by a person responsible for their safety.
22. Children should be supervised to ensure that they do not play with the appliance.

BEFORE FIRST USE

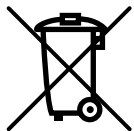
- Keep the instruction manual, warranty card, sales receipt, and if possible, the packing box with the inner package.
- Unpack the appliance and remove all protective films or stickers before use.
- Always place the appliance on a firm and flat surface.
- Inspect and ensure all the provided accessories are in good condition.
- Keep the inner pot of the multicooker clean by wiping with gentle cleanser and soft cloth, and then wipe them again with water.
- Turn the switch to OFF before inserting or removing the power plug from the power supply.

OPERATING INSTRUCTIONS

- Place the multi cooker on a firm surface, far away from curtains, clothing, dish towels or other flammable things.
- Ensure power switch is turned to OFF position before connecting the appliance's power plug to the power supply.
- Check the power indicator whether is switched on. COOKING
- Dry the inner pot well before operating.
- Place the inner pot inside the multi cooker correctly, ensuring proper connection with the heating plate.
- Always start cooking at the lowest setting and gradually increase the temperature (LOW/ MIDDLE/ HIGH) to suit the food being cooked.
- Always put solid food into the inner pot first before adding water or stock to avoid splashes.
- Cover the pot with the lid to speed up cooking and to retain flavour.
- It is recommended to use a wooden spatula for stir frying or stirring to prevent damage to the inner pot.
- After cooking, turn the power switch to OFF before detaching power plug from the power supply with dry hands.
- Always keep the inner pot and steamers of the multi cooker clean by wiping with a gentle cleanser, soft cloth, and then wipe again with water.

CARE & CLEANING

- Ensure power plug is detached from the power supply before attempting to clean the appliance or carry out maintenance service.
- Detach the power plug by holding the plug instead of the power cord.
- Allow the multi cooker to cool down completely before cleaning.
- Clean the plastic housing, inner pot and steamers of the multi cooker clean by wiping with gentle cleanser and soft cloth and wiping again with water.
- Clean the multi cooker's metal heating base using a dry dish cloth.
- **CAUTION:** Do not use hard brush, abrasive cleansers or materials, gasoline, polishing powder or toxic solvents to clean the appliance to avoid damaging it.
- Never immerse the multi cooker in water or other liquids.
- Allow the appliance to cool down completely before covering and storing in a dry and cool place.



CORRECT DISPOSAL OF THIS PRODUCT

This marking shown on the product or its literature indicates that it should not be disposed with other household wastes at the end of its working life. In order to prevent any possible harm to the environment or human health from the uncontrolled waste disposal, please separate this from other types of wastes and recycle it responsibly to promote the sustainable reuse of material resources.

Household users should contact either the retailer where purchasing this product from or their local government office for details of where and how they can take this item for environmentally safe recycling.

Business users should contact their supplier and check the terms and conditions of the purchase contract. This product should not be mixed with other commercial wastes for disposal.