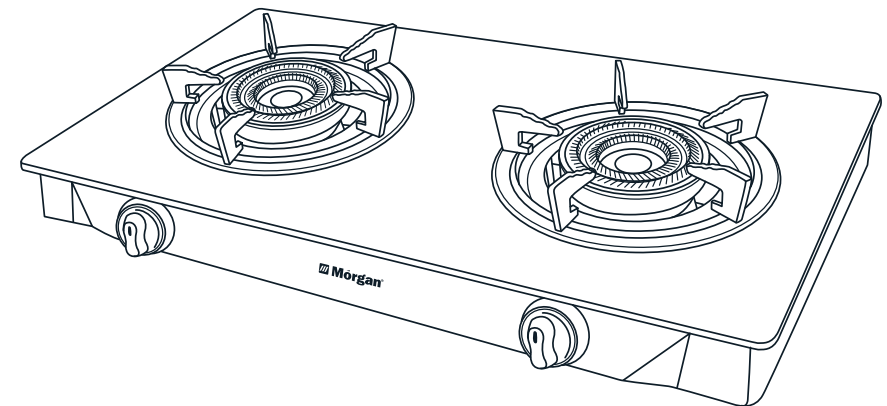


 **Mórgan[®]**

USER MANUAL




 **Mórgan[®]**

Market Expansion
Services by
www.dksh.com.my



DKSH

E-mail: electrical.appliance@dksh.com
www.morgan.my

 [facebook.com/morganappliances](https://www.facebook.com/morganappliances)

Gas Stove

MGS-8866G

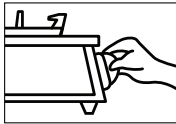
INSTALLATION DIAGRAMS & INSTRUCTIONS

- Remove all wrapping straps, foam tray and/or other accessories. Place the pot in upright position on the panel.
- Remove the dustproof cap before connecting the hosepipes.
- Station the stove at least 1.5cm away from other objects. Ensure a breathing space of at least 100cm between all sides.
- The stove should at least be 50cm away from any gas cylinders, and the windpipe should be above 1.5m WITHOUT coming into contact with the furnace stack and across the oven hearth.

OPERATION PROCESS AND MODULATION

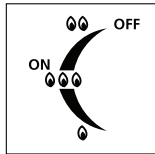
1. STARTING A FLAME

Set the gas knob to the "OFF" position, and turn on the gas source switch. Follow the diagram on the right side; push the knob inward and turn anticlockwise you will hear a 'click' sound indicating that the pointer is lit. Release the knob.



2. POWER MODULATION

Control the flame by turning the knob to either 'MIN' or 'MAX' position to increase or decrease the flame intensity. The pointer facing the wide area represents HIGH power whilst the one facing the narrow area represents LOW power.

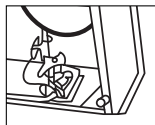


3. POWER OFF POSITION

To power off, turn the knob clockwise to the 'OFF' position. Ensure the gas source is also turned off as an added security measure.

4. WIND POWER MODULATION

If the flame becomes unstable, adjust the damper under the stove to regulate it.



CAUTION

1. Ensure that the type of gas type corresponds to that displayed on the label. DO NOT USE if it is different.
2. When using the gas stove, ensure that your kitchen is well ventilated and should preferably be installed with an exhaust fan.
3. If a gas leak occurs, turn off the gas source IMMEDIATELY. Open the door and windows to ventilate the kitchen. DO NOT operate any electronic equipment to ventilate the kitchen as there is a risk of a fire hazard.
4. DO NOT place any flammable objects near the gas stove.
5. This appliance is intended for home use only.

CLEANING & MAINTENANCE

1. Clean the gas stove regularly.
2. Replace hoses and pipes after one and a half years due to normal wear and tear to prevent gas leakages

TROUBLESHOOTING

FAILURE	FAILURE REASON	SOLUTION	
Burners do not light	Gas source not switched on	Turn on the source switch	
	The gas pipe is leaking	Replace gas pipe	
	Out of gas supply	Replace gas source	
	Mis-positioning of the lighting needle	Adjust discharge distance to 3-4mm	
	Weak flame during lighting	Clean the lighting needle	
	Blockages	Inspect and remove obstacles from the muzzle	
Gas Leakage (or peculiar smell)	Brittle pipes breaks off easily	Replace gas pipe	
	Unable to light up flame	After the gas disperse then try again	
Abnormal Flame	Irregular Flame	Burner head not placed in proper position	Place burner head in proper position
	Short Flame	Not enough gas pressure	Inspect the gas cylinder and the regulator
	Easy to blow out	Excessive air supply	Adjust the damper
	Long and yellow flame (or with black smoke)	Insufficient air supply	Adjust the damper
	Asymmetric flame	Burner head hole clogged	Clean the holes on burner head