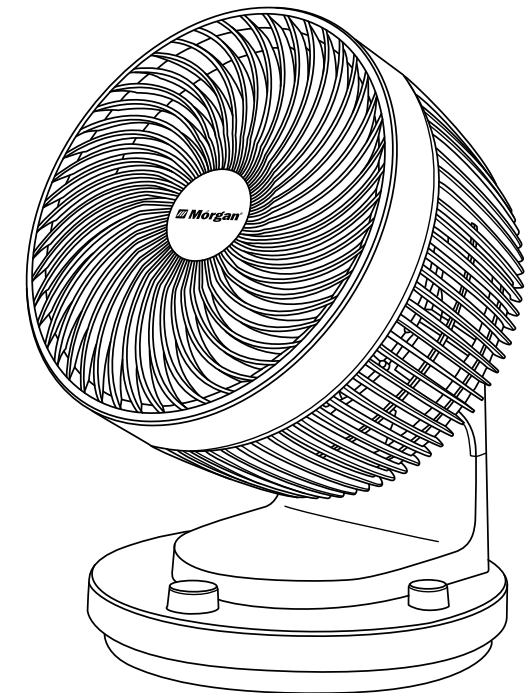


 **Mórgan®**

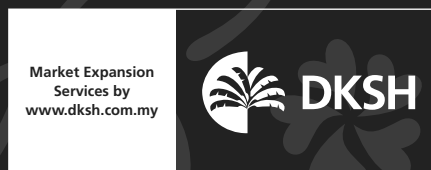
## USER MANUAL



# Circulation Fan

MFQ-SC61M

 **Mórgan®**



E-mail: [electrical.appliance@dksh.com](mailto:electrical.appliance@dksh.com)  
[www.morgan.my](http://www.morgan.my)

 [facebook.com/morganappliances](https://facebook.com/morganappliances)

# C O N T E N T S

**4** SAFETY PRECAUTIONS

**5** PARTS IDENTIFICATION

**6** SPECIFICATIONS

**6** FUNCTION SETTINGS

**7** MAINTENANCE

Thank you for purchasing a quality MORGAN appliance. We trust that you will have a pleasant experience with your new product. To guarantee safety and best efficiency, please read this manual carefully and keep a copy for future reference.

FOR HOUSEHOLD USE ONLY

## SAFETY PRECAUTIONS

### IMPORTANT SAFEGUARDS

Please read this instruction carefully. It is advisable to keep this instruction manual in a safe place for future reference.

- Remove all packing materials from this product before use. Do not allow children to play with parts of the packaging.
- Use this Fan only as described in this manual. Any other use not recommended by the manufacturer may result in fire, electrical shock or injury to persons.
- Open the package and ensure that the appliance is not damaged in any manner. In case of doubt do not operate the appliance and contact your supplier immediately.
- Before connecting to the power supply, ensure that the unit is earthed and its voltage corresponds to the voltage indicated on the power supply rating label.
- This appliance is not intended for use by persons (including children) with reduced physical, sensory or mental capabilities, or lack of experience and knowledge, unless they have been given supervision or instruction concerning use of the appliance by a person responsible for their safety.
- Children should be supervised to ensure that they do not play with the appliance.
- Avoid using an extension cord as it may overheat and cause fire.
- Do not pull on the power cord to disconnect. Always grasp on the power plug to detach it from the power supply.

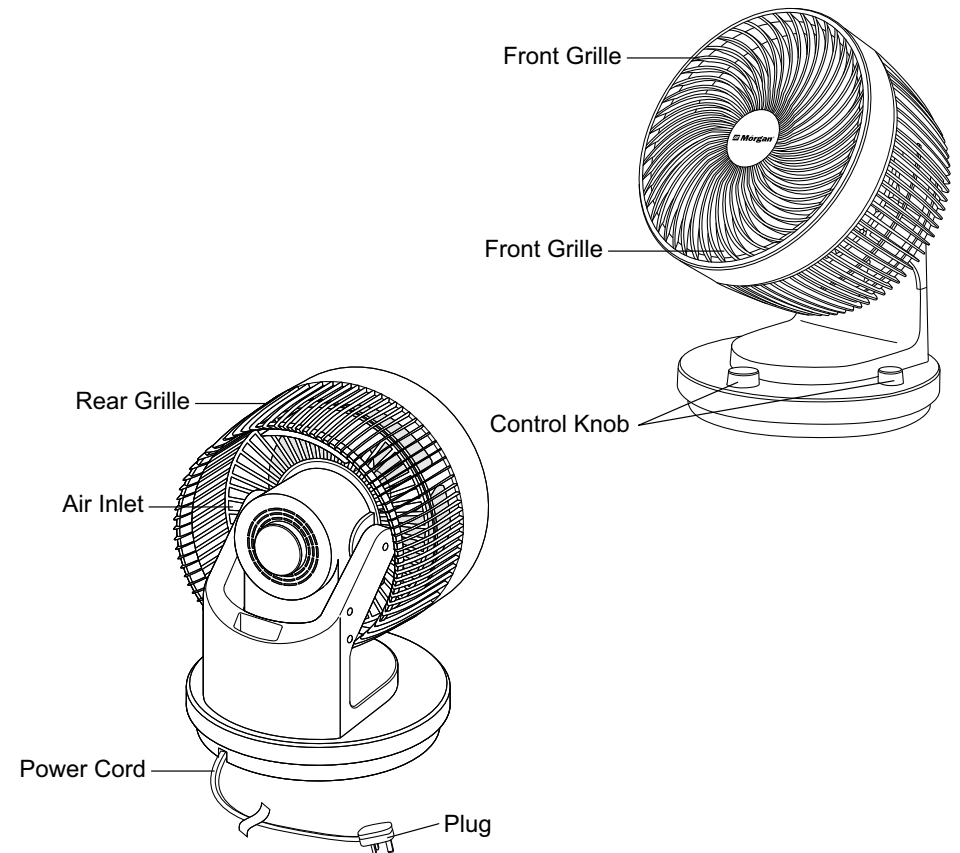
### IMPORTANT SAFETY INFORMATION

- To reduce the risk of fire, electrical shock or injury to persons or property, please read and follow below instructions carefully.
- Do not insert any objects into the fan as it may cause an electric shock or damage. Do not obstruct or tamper with the fan in any manner while it is in operation.
- Do not leave the appliance unattended. Always unplug it from the power supply when not in use.
- Do not cover the grille or operate the appliance in close proximity to curtains.
- To protect against the risk of electrical shock, do not immerse the appliance, power cord or power plug into water or any other liquids.
- **WARNING:** The ON/OFF switch should not be used to disconnect power. Always unplug the power cord from the power supply before servicing or moving the unit.
- This appliance is intended for household use ONLY and not for industrial or outdoor use.
- This appliance contains recyclable materials. Do not dispose it as unsorted municipal waste. Please contact your local municipality for the nearest collection.

## SAFETY PRECAUTIONS

- This appliance is not intended for use in wet or damp locations. Never locate the Fan where it may fall into a bathtub or other water container.
- Do not place the appliance near a source of heat or fire.
- It is important to keep the appliance clean to maintain it in good condition (refer to maintenance section).
- **WARNING:** Do not operate the appliance with a damaged power cord or power plug, after the appliance malfunctions, or if it has been dropped or damaged in any manner. Please return it to the nearest authorized dealer or after-sales service centre for examinations, repairs, electrical or mechanical adjustments.

## PARTS IDENTIFICATION



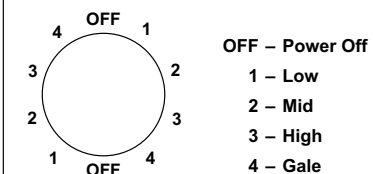
## SPECIFICATIONS

MODEL NO.	MFQ-SC61M
RATED VOLTAGE	220-240V~
FREQUENCY	50-60Hz
RATED WATTAGE	60W

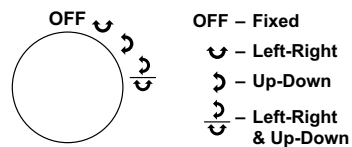
## FUNCTION SETTINGS

This appliance is operated by the control knob located on the Fan (as shown in Figure).

### SPEED CONTROL



### OSCILLATION CONTROL

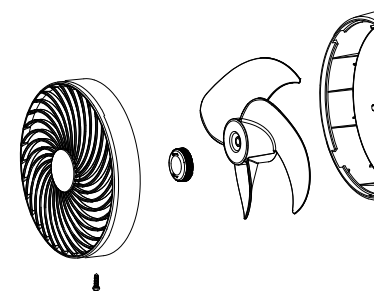


- Place the appliance on a stable and flat surface. Insert the power cord into an AC 220-240V power supply.
- Turn the control knob to power ON/OFF and/or select the desired fan speed.

## MAINTENANCE

**WARNING: ALWAYS UNPLUG THE POWER CORD BEFORE MOVING OR SERVICING. DO NOT IMMERSE THE FAN IN WATER OR OTHER LIQUIDS!**

- Before cleaning, ensure that the appliance has been switched off and it is unplugged from the power supply.
- **Housing & Rear Grille:** Clean the exterior and fan grille with a soft cloth. To remove stubborn dirt, wipe down with a cloth that has been dampened with warm soapy water.
- **Blade:** Loosen the blade screw, turn the front grille anti-clockwise and detach. Clean the blade with a soft damp cloth. Attach back and fix the front grille with the screw after cleaning.



**CAUTION:** DO NOT use gasoline, benzene, thinner and/or abrasive cleansers as they will damage the Fan. NEVER use alcohol or any solvents.

**STORAGE:** Store the Fan with these instructions in the original box in a cool and dry place.