

 **Mórgan[®]**

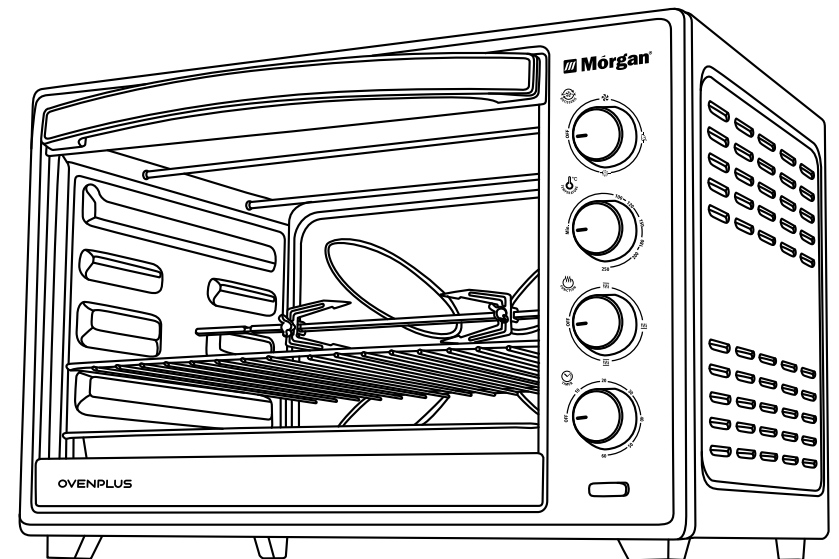
 **Mórgan[®]**



E-mail: electrical.appliance@dksh.com
www.morgan.my

 facebook.com/morganappliances

USER MANUAL



Electric Oven

MEO-602RC

C O N T E N T S

3 Parts Identification

4 Important Safeguards

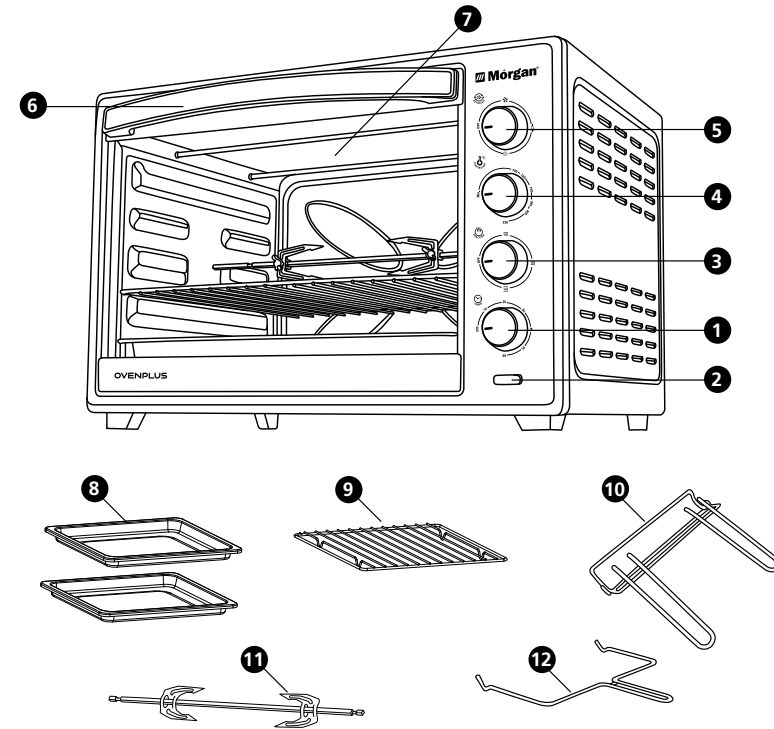
5 Function Control

6 Operation Instructions

6 Specifications

7 Care And Cleaning

PARTS IDENTIFICATION



- | | |
|--|---|
| <p>1. Timer switch knob
<i>To set cooking time up to 120 minutes and automatically power off when the set time is reached.</i></p> <p>2. Indicator light
<i>Displays the status of the oven power supply.</i></p> <p>3. Heater switch knob
<i>To set heater working mode by turning knob to desired setting.</i></p> <p>4. Thermostat switch knob
<i>Adjusts the desired cooking temperature.</i></p> <p>5. Functions switch knob
<i>Select rotisserie and/or convection function.</i></p> <p>6. Door handle
<i>For periodic inspection and safety door opening.</i></p> <p>7. Tempered glass door
<i>Keeps the heat inside the oven and for clear viewing of the food cooking</i></p> | <p>8. Bake tray
<i>For all your baking and roasting needs.</i></p> <p>9. Wire rack
<i>For broiling and baking needs.</i></p> <p>10. Tongs
<i>For handling bake tray and wire rack</i></p> <p>11. Rotisserie fixing
<i>For easy chicken or meat grilling (includes: 1 Rod, 2 Forks, and 2 Rotisserie skewers).</i></p> <p>12. Rotisserie handle
<i>For handling grilled chicken or meat.</i></p> <p>13. Inner oven lamp (not shown, at the cavity right corner)
<i>Viewing the oven interior during cooking.</i></p> |
|--|---|

Please read all instructions carefully before using the appliance and keep this manual for future reference.

IMPORTANT SAFEGUARDS

When using electrical appliances, basic precautions should always be followed, including the following:

1. Read all instructions carefully.
2. Do not touch hot surfaces, Use handles or knobs.
3. Close supervision is necessary when any appliances are used by or near children.
4. To protect against electric shock, do not immerse power cord, power plug, or any parts of the oven in water or other liquids.
5. Do not let power cord hang over edge of table or counter, or touch hot surfaces.
6. Do not operate appliances with damaged power cord or power plug or after the appliance malfunctions, or has been damaged in any manner. Return appliance to the nearest Authorized Service Center for examination, repair, or adjustment.
7. The use of accessory attachments not recommended may cause hazard or personal injury.
8. Do not place on or near a hot gas or electric burner, in a heated oven or in a microwave oven.
9. When operating the oven keep at least four inches of space on all sides of the oven to allow for adequate air circulation.
10. Unplug from outlet when not in use and before cleaning. Allow cooling before assembling or disassembling parts, and before cleaning.
11. To disconnect, turn power to OFF, then remove the power plug.
12. Extreme caution must be used when moving an appliance containing hot oil or other hot liquids.
13. Do not cover any part of the oven with metal foil.
14. Do not clean with metal scouring pads as pieces can break off the pad and come into contact with electrical parts, increasing risk of electric shocks.
15. Never leave the appliance unattended while broiling or toasting.
16. Oversized foods or metal utensils must not be inserted in a toaster oven as they may create a fire or risk of electric shock.
17. A fire may occur if the oven is covered or come into contact with flammable materials, including curtains draperies, walls and the like, during operation. Do not store any such items on the oven during operation.
18. Extreme caution should be exercised when using containers constructed of anything other than metal or glass.
19. Do not place any of the following materials in the oven: cardboard, plastic, paper, or anything similar.

IMPORTANT SAFEGUARDS

20. Do not store any materials, other than recommended accessories, in this oven when operating.
21. Always wear protective, insulated oven gloves when inserting or removing hot items from the hot oven.
22. This appliance is not intended for commercial or outdoor use.
23. Do not use this appliance for other than its intended use.


FUNCTION CONTROL


TEMPERATURE CONTROL


Choose the desired temperature from 100° to 230° for cooking.


FUNCTION CONTROL


This oven is equipped with different positions for a variety of cooking needs:


() Operates upper heating element

() Operates lower heating element.

() Operates both upper and lower heating elements.

() Operates convection function.

() Operates rotisserie function.

() Operates both rotisserie and convection functions.

TIMER CONTROL

60mins timer. You can set the time by turning the control clockwise. This function activates a notification sound at the end of the programmed time.

OPERATION INSTRUCTIONS

After re-assembling your oven, we recommend that you run it at the highest temperature on the toast function for approximately 15 minutes to eliminate any packing residue that may remain after shipping. This will also remove all traces of odor initially present.

1. Insert the removable wire rack or bake tray with food.
2. Select the temperature control to desired position.
3. Select the function control.
4. Turn the Timer Control to desired cooking time. A notification will sound at the end of the Toast cycle.
5. For pause cooking, turn the timer dial till position "Off" to switch off the oven.

Please note: initial start-up operation may result in minimal odor and smoke. This is normal and harmless. It is due to burning of the protective substance applied to the heating elements in the factory.

SPECIFICATIONS

Model	MEO-602RC
Rated Voltage / Frequency	220-240V~ 50/60Hz
Rated Wattage	2200W
Capacity	60L

CARE & CLEANING

1. It is important that you clean the appliance after each use to prevent an accumulation of grease and avoid unpleasant odors.
2. Allow the appliance to cool and unplug from power outlet before cleaning.
3. Do not immerse appliance in water or wash it under running water.
4. Removable wire rack, bake pan, crumb tray can be washed, as normal kitchenware.
5. Clean exterior of appliance with a damp sponge.
6. Do not use abrasive cleansers or sharp utensils to avoid scratching or damaging the exterior finishing.
7. Allow all parts and surfaces to dry thoroughly prior to operation.

DISPOSAL



Old appliances must be put out of order.

About the latest ways for disposal contact at your retailer or at your local authority.

REPAIRS:

Danger: Electrical appliances must only be repaired by authorized specialists.

Because damages can occur by non-authorized repairs. In the case of a repair, contact your retailer or contact the producer.