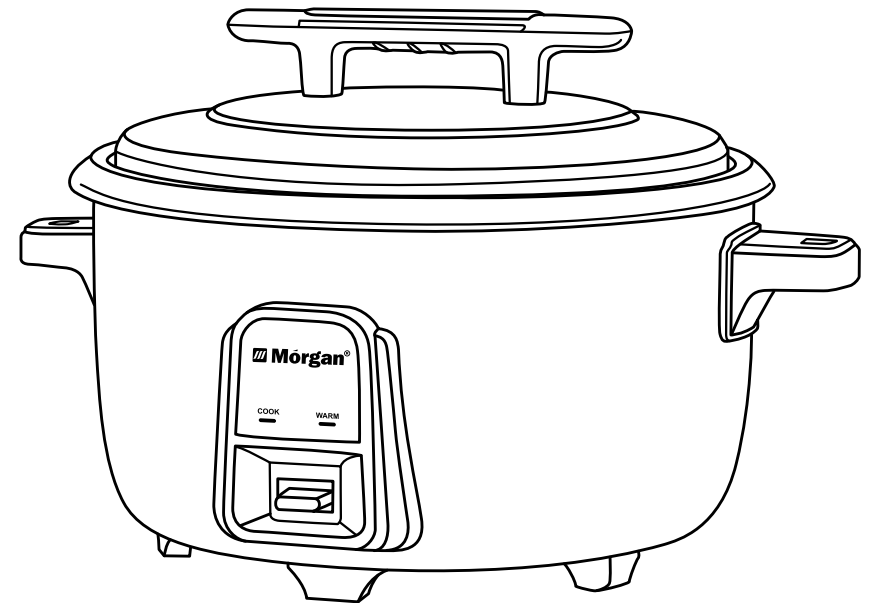


Mórgan®

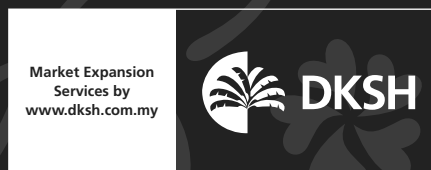
USER MANUAL



Commercial Rice Cooker

MCR-VAST 10

Mórgan®



E-mail: electrical.appliance@dksh.com
www.morgan.my

 [facebook.com/morganappliances](https://www.facebook.com/morganappliances)

C O N T E N T S

3 Important Safeguards

4 Specifications

5 Parts Identification

6 Operating Instructions

7 General Precautions

7 Care & Cleaning

Thank you for purchasing a quality MORGAN appliance. We trust that you will have a pleasant experience with your new product. To guarantee safety and best efficiency, please read this manual carefully and keep a copy for future reference.

IMPORTANT SAFEGUARDS

Read the operating instructions carefully before putting the appliance into operation and keep the instructions. When using electrical appliances, basic safety precautions should be followed, including:

1. Remove all bags and packaging materials from appliance before use.
2. Make sure the appliance is cleaned and dried thoroughly before using.
3. Unplug the appliance when not in use and prior to cleaning.
4. Only use the appliance on a stable, dry surface. To prevent the risk of fire, electric shock, or personal injury, do not immerse the power cord, power plug, or unit in water or any other liquids.
5. Do not pour liquid into the body of the device.
6. **WARNING:** Hot steam! Never place your hands or arms over the Steam Vent while the appliance is in operation.
7. Never leave appliance unattended when in use.
8. Exercise caution when removing the lid as escaping steam may cause personal injury.
9. **WARNING:** Do not touch hot surfaces with bare hands. Use handles or knobs and/or pot holders when removing the lid or handling the Rice Cooker.
10. To prevent personal injury, do not touch the surface of the Rice Cooker during or after use. Allow appliance to cool.
11. Do not operate any appliance with a damaged power cord or power plug, or after the appliance malfunctions, or has been damaged in any manner. If damaged, return appliance to your nearest authorized service centre for examination, repair, or adjustment.
12. Always unplug the appliance from the power supply and allow to cool completely prior to assembly, disassembly, cleaning, and storage.
13. Do not use appliance outdoors or for commercial purposes.
14. Do not allow the power cord to touch hot surfaces or hang over the edge of tables or counters.
15. Do not leave the Mixing Paddle or Measuring Scoop in the inner pot during cooking.

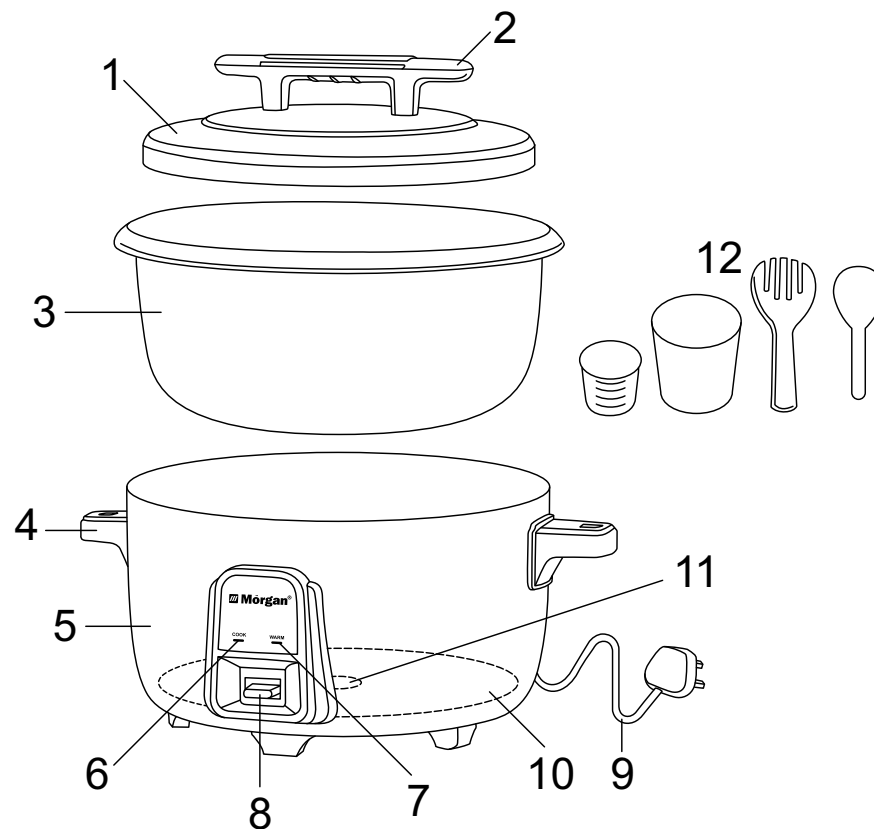
IMPORTANT SAFEGUARDS

16. This appliance is not intended for use by persons (including children) with reduced physical, sensory or mental capabilities, or lack of experience and knowledge unless they are provided with supervision and instruction concerning use of the appliance by a person responsible for their safety.
17. Do not use attachments not recommended by the appliance manufacturer, as this may result in fire, electric shock, or personal injury.
18. Extension cords are not recommended for use with this appliance. If an extension cord must be used, ensure the electrical rating of the wire is compatible with the Rice Cooker.
19. Do not place appliance on or near a hot gas burner, hot electric burner, or in a heated oven.
20. Exercise extreme caution when moving an appliance containing hot oil or other hot liquids.
21. To disconnect, turn the control switch to "OFF" before detaching the power plug from the power supply.
22. Do not use appliance for other than intended use.
23. If this appliance malfunctions during use, immediately unplug the power cord. Do not continue to use or attempt to repair the appliance. Do not use the inner pot or lid if either is cracked or chipped.

SPECIFICATIONS

MODEL NO.	MCR-VAST 10
RATED VOLTAGE	220-240V~
FREQUENCY	50/60HZ
RATED WATTAGE	2800W
CAPACITY	10L

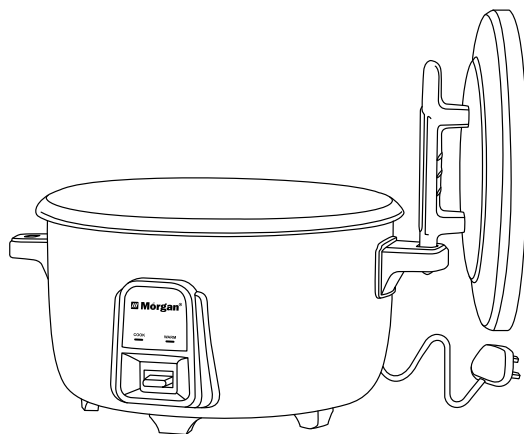
PARTS IDENTIFICATION



1. Lid with steam vent
2. Lid Handle
3. Inner Pot
4. Handles
5. Cooker Housing
6. Cook Light Indicator
7. Keep Warm Light Indicator
8. Cooking Switch
9. Power cord & power plug
10. Heating plate
11. Sensor
12. Mixing paddle & measuring cup

OPERATING INSTRUCTIONS

1. Remove all bags and packaging materials from appliance before use.
2. We recommend cleaning the appliance as described under “Care & Cleaning”.
3. Open the lid.
4. Ensure the bottom surface of rice pot and heating plate in the cooker are clean. Proper care should be taken to protect the inner pot against deformity otherwise the heating plate may be damaged, or cooking performance may be affected.
5. Wash through the rice and place them into the inner pot. Flatten the rice and add water to the proportion of 1 : 1.3 (rice : water).
6. For example, to cook 6 cups of rice, add 6 small measuring cups of rice to the pot and fill with water to the respective (CUP) mark, such as 6.
7. Place the inner pot into the cooker, rotate the rice pot to make sure the pot is level and connects with the sensor.
8. Close the lid.
9. Insert power plug into the power supply and the “Warm” indicator light will illuminate.
10. Press the Cooking Switch down. The “Cook” indicator light will illuminate and “Warm” light will go off. The rice cooker is cooking.
11. Once water has evaporated inside the inner pot, the appliance will automatically switch to “Warm”. The “Warm” light will illuminate and “Cook” light goes off.
TIP: Leave the rice for a further 5 minutes prior to draining it from the pot.
12. Disconnect the power plug from the power supply.
13. Open the lid and stir up the rice with the mixing paddle before serving.
14. Hang the lid on the handle (see illustration below)



Insert lid handle into the handle crevice holder for extra convenience.

GENERAL PRECAUTIONS

- Always fill water into the inner pot and never into cooker housing.
- The inner pot is designed for use with this appliance only and not suitable for other cookers.
- A safety mechanism prevents the device from cooking if the inner pot has not been inserted properly.
- **WARNING:** Hot steam! Never place your hands or arms over the Steam Vent while the appliance is in operation.

CARE & CLEANING

1. Discard contents of inner pot after it has cooled down.
2. Remove the inner pot and wash in warm, soapy water. For tougher stains or residue, soak the inner pot in warm, soapy water for 10-15 minutes to soften the food residue before cleaning.
3. Handwash the lid, steamer, mixing paddle and measuring cup in warm water and allow to dry.
4. Wipe the interior and exterior of the cooker housing with a damp cloth and wipe dry with a soft cloth.

IMPORTANT!

1. Always detach the power plug from the power supply before cleaning and wait until the unit has cooled down.
2. Never immerse the cooker housing, power cord and power plug into water and any other liquids to avoid the risk of electric shock or fire.
3. Do not clean with wire brushes or other abrasive objects to avoid damaging the inner pot and exterior finishing of the cooker housing.
4. Do not use any acidic or scouring agents.
5. Do not clean the attachments in the dishwasher to avoid dulling the surface.

TIP: MAX RICE VOLUME: 7.5KGS

MIN RICE VOLUME: 2KGS

MAX. UP TO 50 PERSONS